

3x1 Premium CATV Module

APPLICATION

The 3x1 Premium CATV Module is designed to combine modulated signals from cameras, DVD players, and more, with incoming cable or antenna service onto one coaxial cable. It is used with the Leviton Premium 1x1, 1x8, and 1x16 CATV modules for distribution to multiple outputs.



SPECIFICATION

The 3x1 Premium CATV Module shall combine modulated signals from cameras, DVD player, etc., with incoming cable or antenna service onto one coaxial cable. It shall be used with the Leviton Premium 1x1, 1x8, and 1x16 CATV modules for distribution to multiple outputs. The module shall support bi-directional signal paths for cable modem or cable box communications. It shall also come in a tiltable module design, with a 75 Ohm impedance and F-type connectors.

FEATURES

- Combines modulated signals from cameras, DVD players, and more, for home or office
- Provides bi-directional signal path to support cable modem or cable box communications
- Module tilts for greater ease of installation
- F-ports provide up to 15 psi weather sealing

DESIGN CONSIDERATIONS

- Digital CATV and HDTV compatible
- Installs easily into Leviton Structured Media® enclosures in a horizontal or vertical direction
- 360-degree seizing insert retains center conductor up to pullout tension of 200 grams on .032-inch diameter coax center conductors
- Robust machine-threaded, gold-plated brass ports meet SCTE requirements
- Termination caps included
- Durable aluminum die-cast housing with white powder coating

STANDARDS COMPLIANCE

- SCTE

PHYSICAL SPECIFICATIONS

Dimensions: See page two
Impedance: 75 Ohm
Connector Type: Gold-plated F-type
Frequency: 52-1000 MHz forward path
045 MHz reverse path

COUNTRY OF ORIGIN

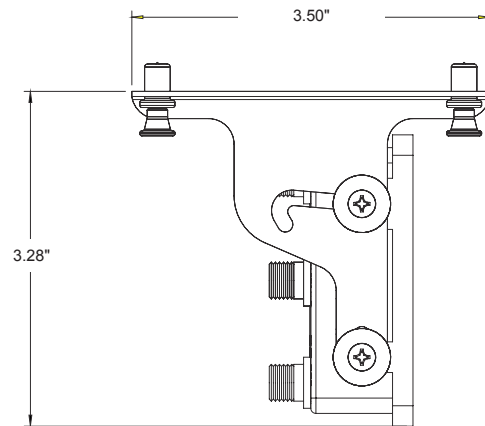
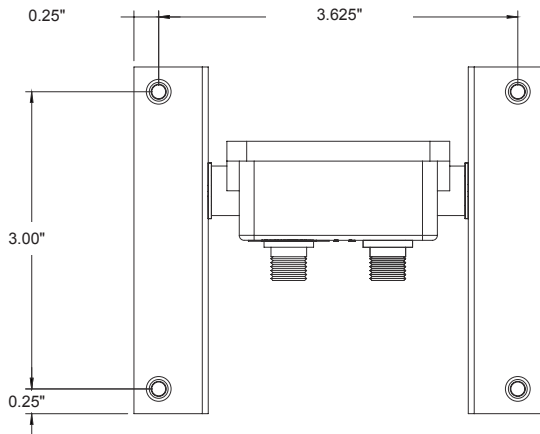
China

WARRANTY INFORMATION

For a copy of Leviton product warranties, visit www.leviton.com/warranty.

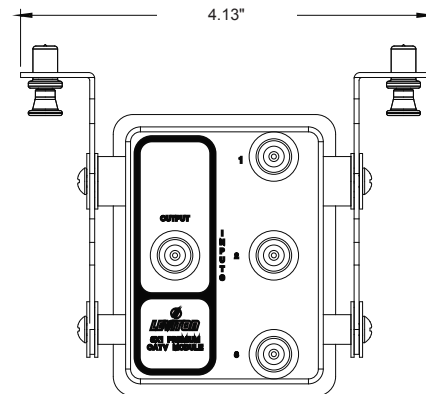
ELECTRONIC FILES

For CAD files, typical specs, or technical drawings (.DXF, .DWG), visit www.leviton.com.



47693-31P

ELECTRONIC SPECIFICATIONS	
Insertion Loss (Max)	
5-15 MHz	5.3 dB
16-40 MHz	5.3 dB
41-550 MHz	5.6 dB
551-1000 MHz	6.1 dB
Input to Input Insertion Loss (Min)	
5-15 MHz	27 dB
16-40 MHz	38 dB
41-550 MHz	25 dB
551-1000 MHz	24 dB
Output Return Loss (Min)	
5-15 MHz	24 dB
16-40 MHz	32 dB
41-550 MHz	22 dB
551-1000 MHz	22 dB
Input Return Loss (Min)	
5-15 MHz	25 dB
16-40 MHz	28 dB
41-550 MHz	24 dB
551-1000 MHz	23 dB



PART NUMBERS

Description	Part No.
3x1 Premium CATV Module	47693-31P

