

Compressor DEFENDER™

Surge/Brownout/Short Cycle Protective Device

The Compressor Defender protects compressors (scroll & reciprocating) and the electronics inside an air conditioner from under/over voltage conditions, surge events, and system short cycling. It also protects heat pumps, light commercial packaged rooftop units, and mini-splits.

Features

- Surge, brownout and short cycle protection with 120, 208 and 240 VAC loads
- Short cycle delay helps extend compressor life
- LED indicators provide real-time status updates for quick and easy troubleshooting
- For use inside condensing units or externally on disconnects
- Complies with ANSI/AHRI Standard 110-2012 Range B² for voltage drop protection
- Auto-sense voltage technology 120-240 VAC universal input voltage
- Meets ANSI/UL 1449 3rd edition requirements

Ratings

Input Voltage:	120 VAC to 240 VAC Single Phase 60Hz
Thermostat Relay:	Normally Closed Relay, 24 VAC
SPD Type:	Type 2 SPD
Control Output Current Rating:	2A @ 24VAC, isolated N.C. contact
Max Continuous Overvoltage (MCOV):	L-N/G: 150V, L-L: 300V
Voltage Protection Rating (VPR):	L-N/G: 700, L-L:1200
Nominal Discharge Rating:	In (10kA)
SCCR (Short Circuit Current Rating):	20kA
Undervoltage Response Time:	3 line cycles
Short Cycle Delay:	3 min
Operating Temp:	-40°F to 158°F (-40°C to 70°C)
Enclosure:	Type 3 Outdoor
Wire Size:	AWG #10
Shipping Weight:	1.2 lbs
Product Warranty:	Limited 3 year
Connected Equipment Warranty:	3 year/ \$7500
Brownout Pickup Table:	

Nominal System Voltage	Range B Protection
120 VAC	106 VAC
208 VAC	184 VAC
240 VAC	212 VAC

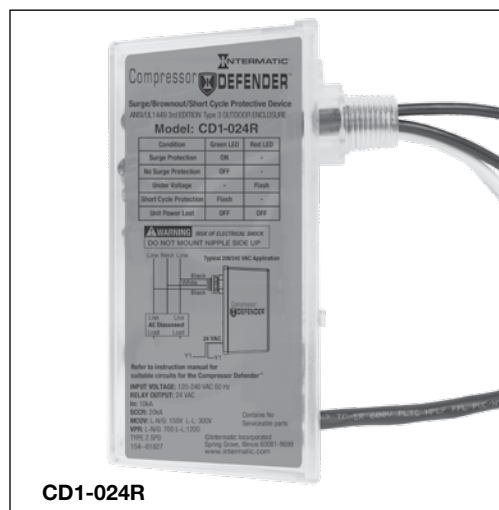
Project: _____

Location: _____

Product Type: _____

Contact/Phone: _____

Model #: _____



Model Number	Voltage	Enclosure	Short Cycle Delay
--------------	---------	-----------	-------------------

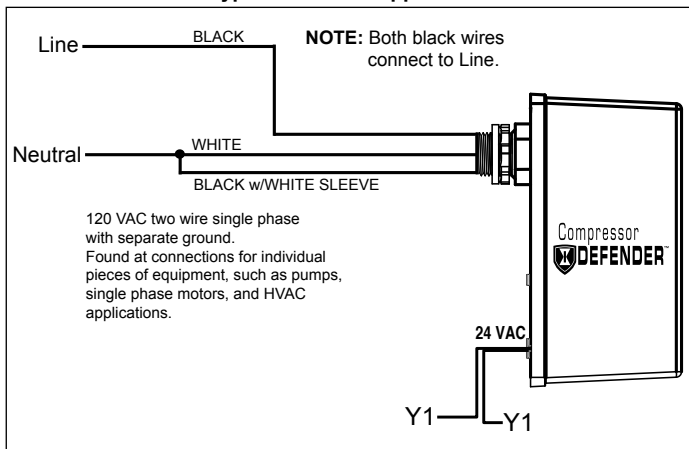
CD1-024R 120/208/240 VAC Type 3 Outdoor 3 Minutes

Specification

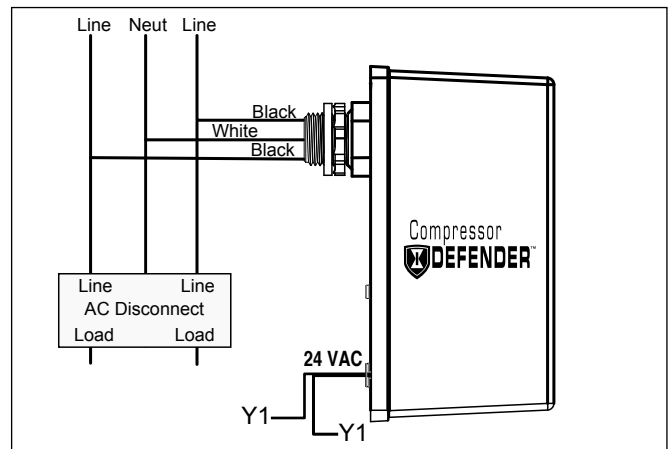
Furnish and install an Intermatic CD1-024R Compressor Defender™. The unit shall protect HVAC Compressors (Scroll & Reciprocating), and the electronics inside central air conditioners, heat pumps, light commercial packaged rooftop units, and mini-splits from under/overvoltage conditions, surge events, and system short cycling caused from AC power interruptions. The unit shall be capable of opening up to a 2A @ 24 VAC thermostat connection. The unit shall be compatible with 120, 208, and 240 VAC voltage systems. The unit shall provide Type 2 surge protection with a nominal discharge rating of 10kA, a short circuit current rating of 20kA, and a voltage protection rating of L-N/G:700, L-L:1200. The unit shall have a 3 minute short cycle delay. The Compressor Defender™ shall have normally closed operation. If surge or voltage monitoring protection is lost, the unit shall continue normal compressor and thermostat operation without surge protection.

Diagrams

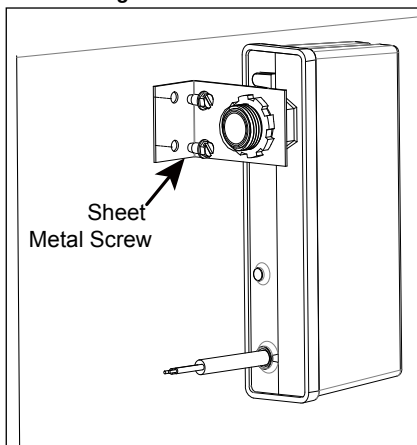
Typical 120 VAC Application



Typical 208/240 VAC Application



Mounting Inside Panel/ Condenser



Diagnostic Indicator Key

Condition	Green LED	Red LED
Surge Protection	ON	-
No Surge Protection	OFF	-
Under Voltage	-	Flash
Short Cycle Protection	Flash	-
Unit Power Lost	OFF	OFF