



### PRODUCT DESCRIPTION

A 3" (75mm) diameter circular surface (with mounting ring) or recessed (without mounting ring) puck. Constructed of a high quality aluminum body with white polycarbonate diffuser lens for low glare. Available in White, Black, Brushed Nickel, Bronze and Brushed Nickel trim.

PROJECT	TYPE
CATALOG NUMBER (FOR CUSTOM LENGTHS, PLEASE SEE ORDERING EXAMPLE BELOW)	

### FEATURES

- 12V operation
- 2.2W
- 3000K / 4000K
- Multi-finishes
- Dimmable
- Surface or recess mount
- Magnetic cover plates

### ELECTRICAL

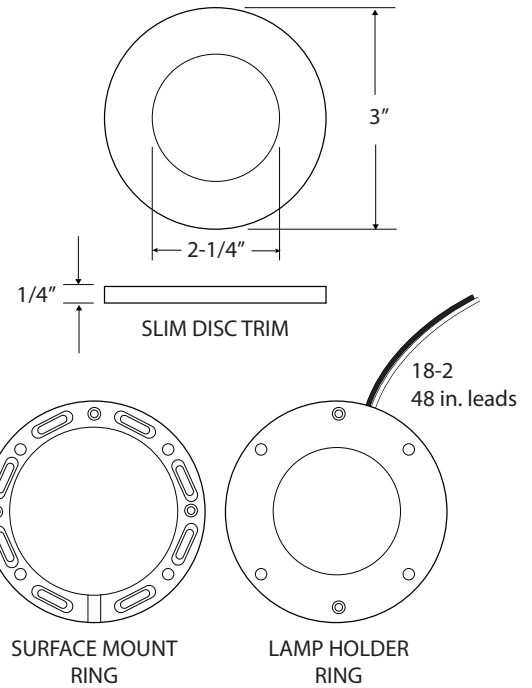
- Remote power supply required

### LABEL

- ETL

### WARRANTY

- 5 year warranty



### PRODUCT ORDERING INFORMATION

Catalog No.	Dimensions	Wattage	Lumens	Color Temp.*	CRI	Finish
SP-2-30-W	3" dia. x 1/4" depth	2.2W	180	3000K	80+	White
SP-2-30-BNK	3" dia. x 1/4" depth	2.2W	180	3000K	80+	Brushed Nickel
SP-2-30-B	3" dia. x 1/4" depth	2.2W	180	3000K	80+	Black
SP-2-30-BZ	3" dia. x 1/4" depth	2.2W	180	3000K	80+	Bronze
SP-2-40-W	3" dia. x 1/4" depth	2.2W	180	4000K	80+	White
SP-2-40-BNK	3" dia. x 1/4" depth	2.2W	180	4000K	80+	Brushed Nickel
SP-2-40-B	3" dia. x 1/4" depth	2.2W	180	4000K	80+	Black
SP-2-40-BZ	3" dia. x 1/4" depth	2.2W	180	4000K	80+	Bronze

\* Kelvin temperature (color) ± 200K