

Product Specifications



Track

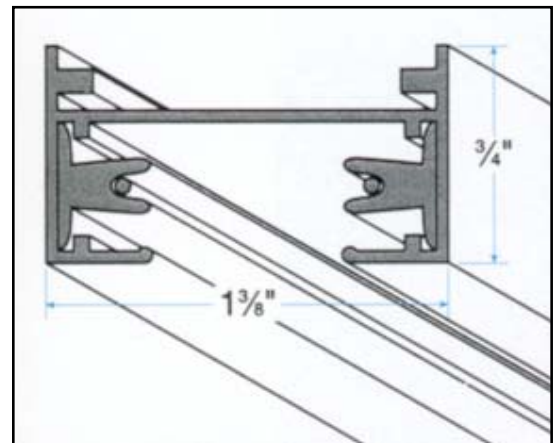
Description

Track for Track Lighting in various lengths and finishes.
End Caps included.

| Available Finishes: | Length: | Product Code: |
|----------------------------|----------------|----------------------|
| Black | 2 feet | T2-BLK |
| Brushed Steel | 2 feet | T2-BST |
| Oil Rubbed Bronze | 2 feet | T2-ORB |
| Satin Nickel | 2 feet | T2-SN |
| White | 2 feet | T2-WH |
| Black | 4 feet | T4-BLK |
| Brushed Steel | 4 feet | T4-BST |
| Oil Rubbed Bronze | 4 feet | T4-ORB |
| Satin Nickel | 4 feet | T4-SN |
| White | 4 feet | T4-WH |
| Black | 6 feet | T6-BLK |
| Brushed Steel | 6 feet | T6-BST |
| Oil Rubbed Bronze | 6 feet | T6-ORB |
| Satin Nickel | 6 feet | T6-SN |
| White | 6 feet | T6-WH |
| Black | 8 feet | T8-BLK |
| Brushed Steel | 8 feet | T8-BST |
| Oil Rubbed Bronze | 8 feet | T8-ORB |
| Satin Nickel | 8 feet | T8-SN |
| White | 8 feet | T8-WH |

Accessories

| Model #: | Description: | Available Finishes: |
|-----------------|---------------------|----------------------------|
| TA001 | Floating Canopy | BLK, BST, ORB, WH |
| TA002 | Joiner | BLK, BST, ORB, WH |
| TA002P | Power Feed Joiner | BLK, WH |
| TA003 | 90° Joiner | BLK, BST, ORB, WH |
| TA004 | "T" Joiner | BLK, BST, ORB, WH |
| TA005 | "X" Joiner | BLK, BST, ORB, WH |
| TA006-SF | End Feed - Single | BLK, BST, ORB, WH |
| TA006-DF | End Feed - Dual | BLK, BST, ORB, WH |
| TA007 | Box Cover Plate | BLK, ORB, WH |
| TA008-3W | Cord & Switch | BLK, WH |
| TA009 | End Cap | BLK, BST, ORB, WH |
| TA010 | Accordion Joiner | BLK, BST, ORB, WH |
| TA011 | Monopoint | BLK, BST, ORB, WH |
| TA012 | Pendant Adaptor | BLK, WH |
| TA014 | Stem kit-18/36/48" | BLK, BST, ORB, WH |
| TA016 | Barn Doors | BLK, WH |
| RWC014 | Raceway Cover | BLK, BST, ORB, WH |



Specifications

120V / 20A



LR77483

#110, 6780 Dennett Place, Delta, BC V4G 1N4 - P. (604) 952-5510 F. (604) 952-5513
 16650 - 114 Avenue Edmonton, Alberta T5M 3R8 - P. (780) 455-5500 F. (780) 452-1706
 #2, 6355 - Danville Rd, Mississauga, Ontario L5T 2L4 - P. (905) 565-9998 F. (905) 565-8881