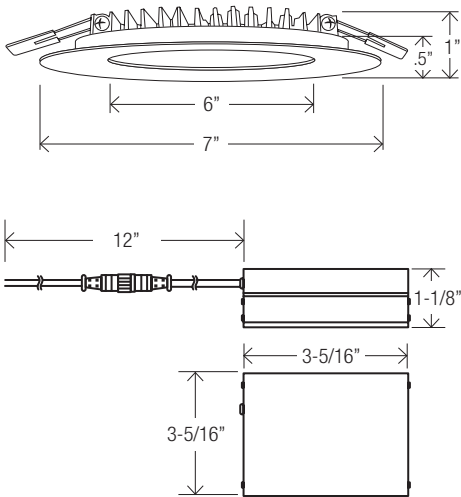




DIMENSION



6" ROUND SLIM LED

- ▶ **1" THICK LED FIXTURE WITH HIGHER BRIGHTNESS**
- ▶ **FOR NEW CONSTRUCTION – INSULATED AND DROPPED CEILINGS**

FEATURES

Round 6" fixtures with integral LEDs. One driver for every fixture required. PF>0.95. Maximum number of fixtures per standard 150W LED dimmer: 10

- ▶ Dimmable
- ▶ ETL Approved and Energy Star Certified
- ▶ Air-tight and wet location approved
- ▶ Pot light housing is not required even for insulated ceilings
- ▶ Fast and easy to install in limited space locations
- ▶ External driver factory mounted inside connector box
- ▶ New construction rough-in plates and jumper cables available
- ▶ Available in 4 Color Temperatures (2700K, 3000K, 4000K and 5000K)
- ▶ 50,000 Hours Life

TECHNICAL SPECIFICATIONS

- ▶ **WATTAGES:** 12W and 15W
- ▶ **OUTPUT:** Default Driver Voltage: 120V AC 60 Hz (Dimmable)
- ▶ **OPTICS:** 120°
- ▶ **CRI:** 90+
- ▶ **AMBIENT TEMPERATURE:** -40°F (-40°C) to +104°F (+40°C)

LISTING

- ▶ Energy Star
- ▶ ETL listed for wet location

INPUT VOLT.	INPUT FREQ.	THD	POWER FACTOR	INPUT POWER	LUMENS
120	60Hz	<20%	>0.95	12W(+/-5%)	700L
120	60Hz	<20%	>0.95	15W(+/-5%)	900L



EXAMPLE: RL675-900L-DIMTR-120-30K-90-WH-RL675-RT-BZ

TYPE	LUMEN	CCT	CRI	FINISH	TRIM RING	ACCESSORIES
RL675	<input type="checkbox"/> 700L-DIMTR-120	<input type="checkbox"/> 27K <input type="checkbox"/> 30K <input type="checkbox"/> 40K <input type="checkbox"/> 50K	90+	<input type="checkbox"/> WH (White)	<input type="checkbox"/> RL675-RT-BZ (Bronze) <input type="checkbox"/> RL675-RT-BK (Black) <input type="checkbox"/> RL675-RT-CH (Chrome) <input type="checkbox"/> RL675-RT-CP (Copper) <input type="checkbox"/> RL675-RT-SN (Satin Nickel)	<input type="checkbox"/> RL-ACC-SLIM-1-10F <input type="checkbox"/> RL-ACC-SLIM-1-20F <input type="checkbox"/> RL-ACC-SLIM-6-Roughplate
	<input type="checkbox"/> 900L-DIMTR-120					

RL675

6" ROUND SLIM LED FIXTURE

RL675-900L-DIMTR-120-40K-90-WH

INPUT WATTS: 14.6

LUMENS: 1229

CRI: 85+

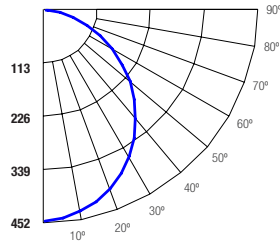
EFFICACY: 84

CCT: 4000K

TEST NO.: EL0118155

SPACING CRITERIA: 1.36

Candle Power Distribution (Candelas)



Zonal Lumens Summary

Zone	Lumens	%Lamp	%Fixt
0-20	163.17	13.30	13.30
0-30	344.95	28.10	28.10
0-40	562.14	45.80	45.70
0-60	983.73	80.10	80.00
0-80	1217.63	99.20	99.00
0-90	1229.47	100.20	100.00

Luminance (Average candela/M²)

Angle in Degrees	Average		
	0°	45°	90°
45	21056	21593	22860
55	19428	20352	21729
65	16986	18443	20528
75	13228	15843	18552
85	3620	0	0

Lumens Per Zone

Zone	Lumens
0-10	42.34
10-20	120.83
20-30	181.78
30-40	217.19
40-50	222.75
50-60	198.84
60-70	150.73
70-80	83.17
80-90	11.84

Candela Tabulation

0	Q
0	451.04
5	446.32
15	423.74
25	385.68
35	334.01
45	271.85
55	203.46
65	131.07
75	62.51
85	5.76
90	0.73

Coefficients of Utilization - Zonal Cavity Method

Effective Floor Cavity Reflectance 0.20

RC	RW	80%				70%				50%				30%				10%				0%			
		70%	50%	30%	10%	70%	50%	30%	10%	50%	30%	10%	50%	30%	10%	50%	30%	10%	50%	30%	10%				
ROOM CAVITY RATIO	0	119	119	119	119	116	116	116	116	111	111	111	107	107	107	102	102	102	100	100	100	100			
	1	109	105	100	97	107	102	99	95	98	95	92	94	92	89	91	89	87	85	85	85	85			
	2	99	91	85	79	97	89	83	78	86	81	76	83	78	74	80	76	73	71	71	71	71			
	3	91	80	72	66	88	79	71	65	76	69	64	73	67	63	70	66	62	59	59	59	59			
	4	83	71	62	56	81	70	62	55	67	60	54	65	59	54	63	57	53	51	51	51	51			
	5	76	63	55	48	74	62	54	48	60	53	47	58	52	47	56	51	46	44	44	44	44			
	6	70	57	48	42	69	56	48	42	54	47	41	53	46	41	51	45	41	38	38	38	38			
	7	65	52	43	37	64	51	43	37	49	42	37	48	41	36	47	41	36	34	34	34	34			
	8	61	47	39	33	59	47	39	33	45	38	33	44	37	32	43	37	32	30	30	30	30			
	9	57	43	35	30	55	43	35	30	42	34	29	41	34	29	40	34	29	27	27	27	27			
	10	53	40	32	27	52	40	32	27	39	32	27	38	31	27	37	31	26	25	25	25	25			

RC - Ceiling Cavity Reflectance

RW - Wall Reflectance

RL675-700L-DIMTR-120-40K-90-WH

INPUT WATTS: 12.3

LUMENS: 1024

CRI: 85+

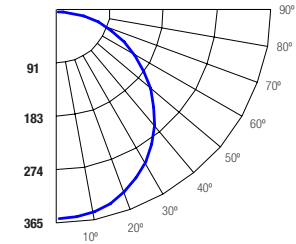
EFFICACY: 83

CCT: 4000K

TEST NO.: EL0818121

SPACING CRITERIA: 1.36

Candle Power Distribution (Candelas)



Zonal Lumens Summary

Zone	Lumens	%Lamp	%Fixt
0-20	132.90	13.00	13.00
0-30	281.26	27.50	27.50
0-40	458.37	44.80	44.80
0-60	802.26	78.40	78.30
0-80	1000.47	97.70	97.70
0-90	1024.27	100.10	100.00

Luminance (Average candela/M²)

Angle in Degrees	Average		
	0°	45°	90°
45	18435	17760	17510
55	17543	16719	16594
65	16361	15494	15192
75	15037	13721	14184
85	3758	13775	14573

Lumens Per Zone

Zone	Lumens
0-10	34.48
10-20	98.42
20-30	148.35
30-40	177.11
40-50	181.35
50-60	162.54
60-70	123.75
70-80	74.46
80-90	23.80

Candela Tabulation

0	Q
0	365.02
5	363.45
15	350.22
25	324.00
35	285.67
45	238.01
55	183.72
65	126.25
75	71.06
85	5.98
90	0.54

Coefficients of Utilization - Zonal Cavity Method

Effective Floor Cavity Reflectance 0.20

RC	RW	80%				70%				50%				30%				10%				0%			
		70%	50%	30%	10%	70%	50%	30%	10%	50%	30%	10%	50%	30%	10%	50%	30%	10%	50%	30%	10%				
ROOM CAVITY RATIO	0	119	119	119	119	116	116	116	116	111	111	111	106	106	106	102	102	102	100	100	100	100			
	1	109	104	99	95	106	101	97	94	97	94	91	93	91	88	90	87	85	83	83	83	83			
	2	99	90	83	78	96	88	82	77	85	79	75	82	77	73	78	75	71	69	69	69	69			
	3	90	79	71	64	87	78	70	64	75	68	63	72	66	62	69	65	60	58	58	58	58			
	4	82	70	61	55	80	69	61	54	66	59	53	64	58	53	62	56	52	50	50	50	50			
	5	76	63	54	47	74	62	53	47	59	52	46	57	51	46	56	50	45	43	43	43	43			
	6	70	56	47	41	68	56	47	41	54	46	40	52	45	40	50	44	40	38	38	38	38			
	7	65	51	42	36	63	50	42	36	49	41	36	47	41	36	46	40	35	33	33	33	33			
	8	60	47	38	32	59	46	38	32	45	37	32	43	37	32	42	36	32	30	30	30	30			
	9	56	43	35	29	55	42	34	29	41	34	29	40	33	29	39	33	29	27	27	27	27			
	10	53	40	32	26	52	39	31	26	38	31	26	37	31	26	36	30	26	24	24	24	24			

RC - Ceiling Cavity Reflectance

RW - Wall Reflectance

AVAILABLE COLOR INSERTS FOR RL675 - 6" RETROFIT



RL675-RT-BZ
(Bronze)



RL675-RT-BK
(Black)



RL675-RT-CH
(Chrome)



RL675-RT-CP
(Copper)



RL675-RT-SN
(Satin Nickel)

AVAILABLE ACCESSORIES FOR RL675 - 6" RETROFIT

INSTALLATION

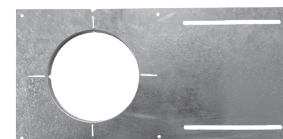
- Cut hole in ceiling and snap fixture in opening with attached spring clips. Space in ceiling needed for the driver to fit through the ceiling height - 2".



RL-ACC-SLIM-1-10F
10-ft long extension



RL-ACC-SLIM-1-20F
20-ft long extension



RL-ACC-SLIM-6-ROUGHPLATE