
 TECHNICAL DATA SHEET

AMC series

Metal clad cable fittings

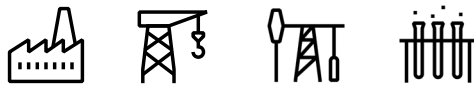


Features and benefits:

- Excellent pull-out strength
- Robust metallic construction
- Quick and easy installation without disassembly
- Provides grounding continuity of cable armor via proven spring methodology
- Splined gland and gripping features for ease of installation
- Locknut included

Applications:

- Provides means for terminating jacketed and non-jacketed metal clad and Teck 90 cables to a bulkhead or enclosure in industrial applications
- Oil and gas, chemical and industrial markets
- Construction and installation zone where metal clad and Teck 90 cables are specified



Material:

- Copper free aluminum
- Chloroprene seal
- Copper plated stainless steel spring
- Zinc or aluminum locknut

Metallic cable glands suitable for jacketed and non-jacketed Metal Clad and Teck 90 cables designed for optimum integrity in general and industrial applications.

Certifications / Standards:


Compatible with cable types:

- Type MC (aluminum/steel)
 - Jacketed interlocking armor (MCI, MCI-A)
 - Jacketed corrugated metal clad (MCC)
- ACWU90 / ACGWU90
- AC90 / ACG90
- Teck 90

Environmental ratings:
Working Temperature:

- Normal use: -25 to +90°C (-13 to +194°F)

Ingress protection:

- Type 4 (when used with jacketed cables only)

Chemical resistance guide:

- Please refer to TDS000081

Conforms to:

- UL514B/50E and CSA C22.2-18.3/-94.2
 - Wet and Dry Location
- RoHS (Restriction of Hazardous Substances Directive) 2011/65/EU Incorporating 2015/863 amendment to Annex II
- Suitable for Class I Div 2, Class II Div 2 and Class III location per NEC

Product selection									
Part no:	Thread (NPT)	Range over armour		Range over jacket		A	B	C	D
		Min.	Max.	Min.	Max.				
AMC-0501	½	11.18 (0.440)	16.76 (0.660)	12.45 (0.490)	19.81 (0.780)	15.88 (0.625)	54.10 (2.130)	34.54 (1.360)	13.87 (0.546)
AMC-0751	¾	14.73 (0.580)	21.84 (0.860)	16.51 (0.650)	25.40 (1.000)	16.00 (0.630)	60.45 (2.380)	41.28 (1.625)	18.39 (0.724)
AMC-1001	1	19.30 (0.760)	28.45 (1.120)	21.59 (0.850)	33.02 (1.300)	19.94 (0.785)	62.23 (2.450)	52.58 (2.070)	24.26 (0.955)
AMC-1251	1¼	26.67 (1.050)	34.93 (1.375)	28.45 (1.120)	38.10 (1.500)	19.05 (0.750)	73.41 (2.890)	61.60 (2.425)	30.48 (1.200)
AMC-1501	1½	33.27 (1.310)	40.89 (1.610)	35.56 (1.400)	44.96 (1.770)	19.05 (0.750)	74.42 (2.930)	70.10 (2.760)	36.58 (1.440)
AMC-2001	2	39.62 (1.560)	50.93 (2.005)	42.42 (1.670)	54.10 (2.130)	20.65 (0.813)	93.98 (3.700)	92.08 (3.625)	47.75 (1.880)
AMC-2501	2½	48.64 (1.915)	62.74 (2.470)	50.29 (1.980)	65.79 (2.590)	32.51 (1.280)	118.62 (4.670)	108.20 (4.260)	55.88 (2.200)
AMC-3001	3	59.44 (2.340)	76.71 (3.020)	62.99 (2.480)	82.30 (3.240)	34.04 (1.340)	129.67 (5.105)	124.97 (4.920)	69.95 (2.754)
AMC-3501	3½	74.17 (2.920)	88.90 (3.500)	76.71 (3.020)	95.76 (3.770)	34.04 (1.340)	126.24 (4.970)	141.73 (5.580)	82.40 (3.244)
AMC-4001	4	88.52 (3.485)	102.11 (4.020)	91.31 (3.595)	108.71 (4.280)	34.04 (1.340)	126.49 (4.980)	154.94 (6.100)	95.10 (3.744)

Note: Product must be installed in accordance with applicable national and local electrical codes.

Bold numbers are metric, parenthesis numbers are inches.

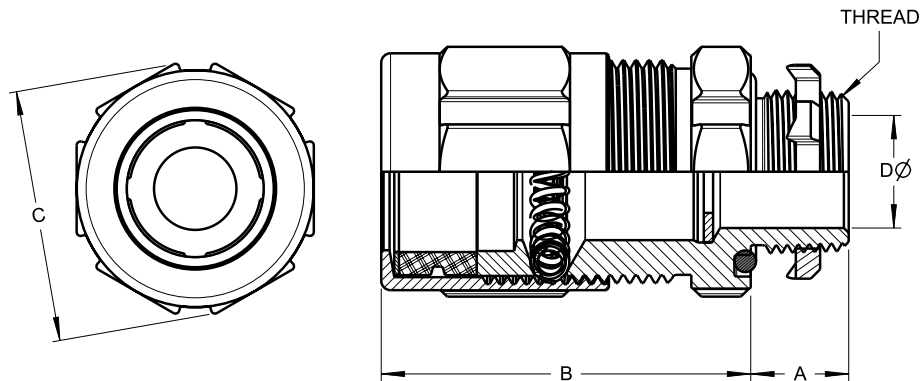


ABB Installation Products Inc.
Memphis, Tennessee
tnb.abb.com
USA

We reserve the right to make technical changes or modify the contents of this document without prior notice. With regard to purchase orders, the agreed particulars shall prevail. ABB Installation Products Inc. (Formerly Thomas & Betts Corp.) does not accept any responsibility whatsoever for potential errors or possible lack of information in this document.

We reserve all rights in this document and in the subject matter and illustrations contained therein. Any reproduction – in whole or in part – is forbidden without prior written consent of ABB Installation Products Inc. Copyright © 2019 ABB Installation Products Inc. All rights reserved.

