



# LED RGB PUCKS

## ACCENT RGB LIGHTING

---

Enhancing your decor is made easy with our LED RGB color-changing pucks. These efficiently designed products allow for tremendous flexibility and include several lighting modes.

---

### KEY FEATURES

- Includes RGB controller, remote and plug-in driver
  - Quick-connect system
  - Can be recessed or surface-mounted
-

## MODEL

- LEDRGB9** 2W Single RGB LED puck
- K3LEDRGB9** 3 x 2W LED puck kit includes plug-in transformer, RGB controller and remote
- K5LEDRGB9** 5 x 2W LED puck kit includes plug-in transformer, RGB controller and remote

## SPECIFICATIONS

- Over 50,000 hours of service life.
- 12V DC-LED driver included in kits.
- Color-changing controller and remote are included in kits.
- Superior LED performance and lifespan.
- Minimal heat emission.
- Pucks can be recessed or surface-mounted.

## INSTALLATION

- For recess or surface installation, in any direction.
- Ideal for accent lighting inside or under any cabinet, shelf or display.
- A variety of power supplies and installation accessories available.
- Can be linked to DALI RGB LED tapes.

## LED ARRAY

2W, RGB

## FINISH

WH White

## POWER SUPPLIES - PLUG IN

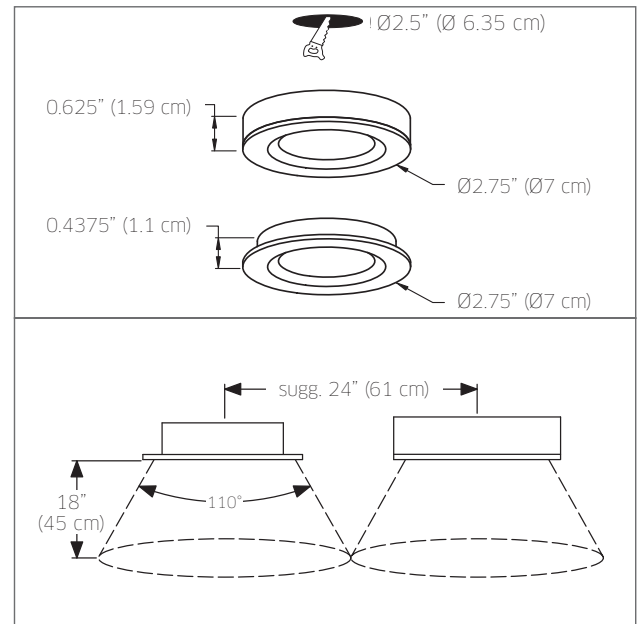
- ETR-LED10WPI** 12VDC/10W class 2 LED driver
- ETR-LED24WPI** 12VDC/24W class 2 LED driver
- ETR-LED96WPI** 12VDC/96W class 2 LED driver

## POWER SUPPLIES - HARD-WIRED

- BT7LED** 12VDC/8.4W class 2 LED driver
- BT12LED** 12VDC/12W class 2 LED driver
- BT24LED** 12VDC/24W class 2 LED driver
- BT100LED-12V** 12VDC/100W non-class 2 LED driver

## ACCESSORIES

- LEDTAPEACC-4WIRE** 10" (25.4 cm) Wire for for RGB translator
- LEDACC-SCTE-PLUG** 10" (25.4 cm) Cord with screw terminal and plug
- LEDACC-SCTE-REC** 10" (25.4 cm) Cord with screw terminal and receptacle
- LEDTAPEACC-RGB-SCTE** 10" (25.4 cm) Connection cord for indoor RGB LED Tape
- LEDTAPEACC-REC-RPLUG** 10" (25.4 cm) Connection cord for indoor LEDRGB-IR controller
- LEDTAPEACC-Y24** 24" (61 cm) Y-splitter harness
- LEDTAPEACC-36ECU** 36" (91.4 cm) Extension cord
- LEDTAPEACC-72ECU** 72" (182.9 cm) Extension cord
- LEDTAPEACC-CROSS** Cross-shaped splitter for multiple directions
- LEDTAPEACC-L** L-shaped extension for corner installations
- LEDTAPEACC-FEMP** Female pins
- LEDTAPEACC-MALEP** Male pins
- LEDRGBWL-75W** 75W RGB translator
- LEDRGBWL-RMT** Remote for RGB translator
- LEDRGB-IR** LED IR controller with remote



## ORDERING EXAMPLE

K5LEDRGB9

Would order a kit of 5 RGB pucks with a plug-in driver, RGB controller and remote.