

TECHNICAL INFORMATION BULLETIN

MAGNETIC CFL BALLAST

PRE HEAT

ORDERING INFORMATION

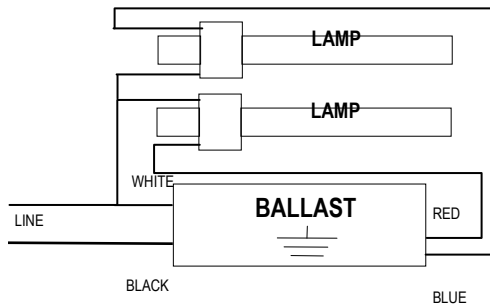
Order code: 56609
 Description: 2L PLS-PLC13W 120 V4
 Internal code: HP213PV4
 UPC: 69549566095

GENERAL INFORMATION

Ballast type: Magnetic
 Starting method: Preheat Start
 Lamp connection: Series
 Input voltage: 120Vac +5% -10%
 Frequency: 60HZ
 Class: P
 Type: 1 outdoor
 Sound rated: A

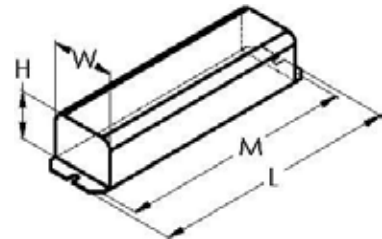
Lamp type	Number of lamps	Rated lamp watts	Min. start temp. (°F / °C)	Input watts (W)	Input current (A)	Ballast factor	B.E.F.	Power factor	THD %	Lamp crest factor
CFT13W/GX23, CFQ13W/GX23	2	13	50/10	31	0.30	0.90	2.90	0.95	30	1.69

WIRING DIAGRAM



BALLAST FEATURES

Unit	M	W	L	H
INCHES	4.33	2.17	1.76	1.57
mm	109.99	55.19	44.70	39.89



LEAD LENGTHS

	Black	White	Red	Blue
INCHES	15	15	15	15
mm	381	381	381	381

WARRANTY:

Ballast warranty of 2 years for electromagnetic ballasts. Ballast warranty of 3 years for energy saving electromagnetic ballasts. For more information visit our website.



Data is based upon tests performed in a controlled environment and representative of relative performance. Actual performance can vary depending on operating conditions. Specifications are subject to change without notice.



www.standardpro.com