

TECHNICAL INFORMATION BULLETIN ELECTRONIC LINEAR FLUORESCENT BALLAST PROGRAM START T8

ORDERING INFORMATION

Order code: 31544
Description: E232T8PS120-277/L
UPC: 69549315440
Warranty: 5 years

GENERAL INFORMATION

Ballast type: Electronic
Starting method: Program Start
Lamp connection: Series
Input voltage: 120-277V
Input frequency: 50/60HZ
Max. case temp.: 75 °C
Status: Active
Safety approval: 31544STD



SPECIFICATIONS AT 120V

Lamp type	Number of lamps	Rated lamp watts	Min. start temp. (°F / °C)	Input current (A)	Input power (ANSI watts)	Ballast factor	Max THD %	Power factor	Max. lamp current crest factor	B.E.F.
F32W T8	2	32	-4/-20	0.38	47	0.71	10	0.99	1.7	1.51
F32W T8	1	32	-4/-20	0.20	25	0.73	10	0.99	1.7	2.92
F25W T8	2	25	-4/-20	0.36	35	0.72	10	0.99	1.7	2.06
F25W T8	1	25	-4/-20	0.19	20	0.73	10	0.99	1.7	3.65
F17W T8	2	17	-4/-20	0.24	22	0.73	10	0.99	1.7	3.32
F17W T8	1	17	-4/-20	0.14	13	0.76	10	0.99	1.7	5.85
F30T8ES	2	30	60/15	0.44	42	0.71	10	0.99	1.7	1.69
F30T8ES	1	30	60/15	0.23	23	0.73	10	0.99	1.7	3.17
F28T8ES	2	28	60/15	0.41	40	0.71	10	0.99	1.7	1.78
F28T8ES	1	28	60/15	0.21	22	0.73	10	0.99	1.7	3.32
F25T8ES	2	25	60/15	0.38	36	0.71	10	0.99	1.7	1.97
F25T8ES	1	25	60/15	0.20	20	0.73	10	0.99	1.7	3.65
F40T8	1	40	-4/-20	0.30	30	0.72	10	0.99	1.7	2.40

SPECIFICATIONS AT 230V

Lamp type	Number of lamps	Rated lamp watts	Min. start temp. (°F / °C)	Input current (A)	Input power (ANSI watts)	Ballast factor	Max THD %	Power factor	Max. lamp current crest factor	B.E.F.
F32W T8	2	32	-4/-20	0.20	47	0.71	10	0.99	1.7	1.51
F32W T8	1	32	-4/-20	0.11	25	0.73	10	0.99	1.7	2.92
F25W T8	2	25	-4/-20	0.15	35	0.72	10	0.99	1.7	2.06
F25W T8	1	25	-4/-20	0.09	20	0.73	10	0.99	1.7	3.65
F17W T8	2	17	-4/-20	0.10	22	0.73	10	0.99	1.7	3.32
F17W T8	1	17	-4/-20	0.06	13	0.76	10	0.99	1.7	5.85
F30T8ES	2	30	60/15	0.18	42	0.71	10	0.99	1.7	1.69
F30T8ES	1	30	60/15	0.10	23	0.73	10	0.99	1.7	3.17
F28T8ES	2	28	60/15	0.17	40	0.71	10	0.99	1.7	1.78
F28T8ES	1	28	60/15	0.10	22	0.73	10	0.99	1.7	3.32
F25T8ES	2	25	60/15	0.16	36	0.71	10	0.99	1.7	1.97
F25T8ES	1	25	60/15	0.09	20	0.73	10	0.99	1.7	3.65
F40T8	1	40	-4/-20	0.13	30	0.72	10	0.99	1.7	2.40

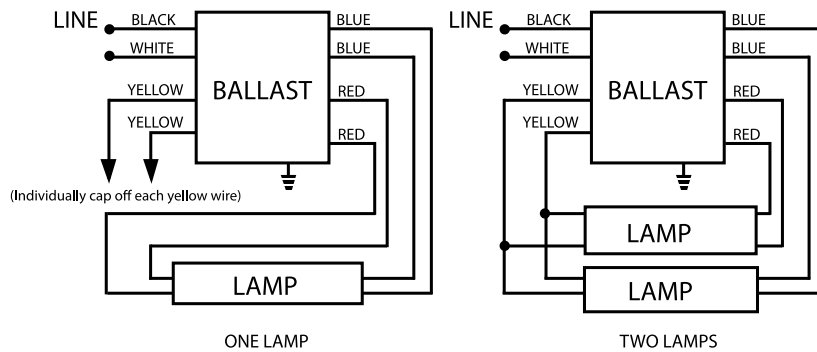


TECHNICAL INFORMATION BULLETIN ELECTRONIC LINEAR FLUORESCENT BALLAST PROGRAM START T8

SPECIFICATIONS AT 277V

Lamp type	Number of lamps	Rated lamp watts	Min. start temp. (°F / °C)	Input current (A)	Input power (ANSI watts)	Ballast factor	Max THD %	Power factor	Max. lamp current crest factor	B.E.F.
F32W T8	2	32	-4/-20	0.17	47	0.71	10	0.99	1.7	1.51
F32W T8	1	32	-4/-20	0.09	25	0.73	10	0.99	1.7	2.92
F25W T8	2	25	-4/-20	0.13	35	0.72	10	0.99	1.7	2.06
F25W T8	1	25	-4/-20	0.07	20	0.73	10	0.99	1.7	3.65
F17W T8	2	17	-4/-20	0.08	22	0.73	10	0.99	1.7	3.32
F17W T8	1	17	-4/-20	0.05	13	0.76	10	0.99	1.7	5.85
F30T8ES	2	30	60/15	0.15	42	0.71	10	0.99	1.7	1.69
F30T8ES	1	30	60/15	0.08	23	0.73	10	0.99	1.7	3.17
F28T8ES	2	28	60/15	0.14	40	0.71	10	0.99	1.7	1.78
F28T8ES	1	28	60/15	0.08	22	0.73	10	0.99	1.7	3.32
F25T8ES	2	25	60/15	0.13	36	0.71	10	0.99	1.7	1.97
F25T8ES	1	25	60/15	0.07	20	0.73	10	0.99	1.7	3.65
F40T8	1	40	-4/-20	0.11	30	0.72	10	0.99	1.7	2.40

WIRING DIAGRAM

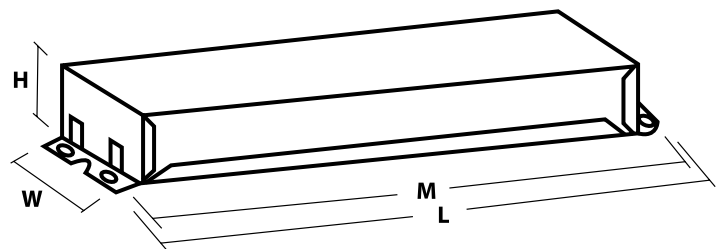


LEAD LENGTHS

Lead colour	in	cm
Black	18.8	48
White	18.8	48
Blue	30.9	78.5
Red	30.9	78.5
Yellow	46.4	118

BALLAST FEATURES

Length (L)	Width (W)	Height (H)	Mounting (M)
24.1 cm	4.3 cm	2.9 cm	22.6 cm
9.5 in	1.7 in	1.14 in	8.9 in



WARRANTY:

Ballast warranty of 5 years for electronic ballast 75 °C. Ballast warranty of 3 years for electronic ballast 90 °C. For more information visit our website.

Data is based upon tests performed in a controlled environment and representative of relative performance. Actual performance can vary depending on operating conditions. Specifications are subject to change without notice.



www.standardpro.com