

Recessed Step Light

ALCFQ13

One 13W Quad Tube Compact
Fluorescent Lamp
Non-IC Rated
120V

DATE: _____ TYPE: _____

FIRM NAME: _____

PROJECT: _____

LiteStep

For conversion to millimeters,
multiply inches by 25.4
Not to Scale

APPLICATIONS:

The ALCFQ13 compact fluorescent step light is an ideal solution for a wide variety of interior applications including commercial, retail, and residential projects.

HOUSING:

Welded steel housing with white baked enamel finish.

FACEPLATE:

Die cast aluminum faceplates are available with choice of screw or hinged louvered with prismatic glass. Available in black (BL), bronze (BZ), white (WH) or Prescolite's exclusive Zet (Z, metallic silver) finish.

BALLAST:

One (1) encased and potted magnetic HPF compact fluorescent ballast suitable for operating 13W quad tube lamps (120V only). Ballast is accessible through the housing for servicing. See reverse side for additional ballast information.

LAMP:

One (1) 13W (GX23-2 base) 2-pin quad tube compact fluorescent lamp. Lamp furnished by others.

SOCKET:

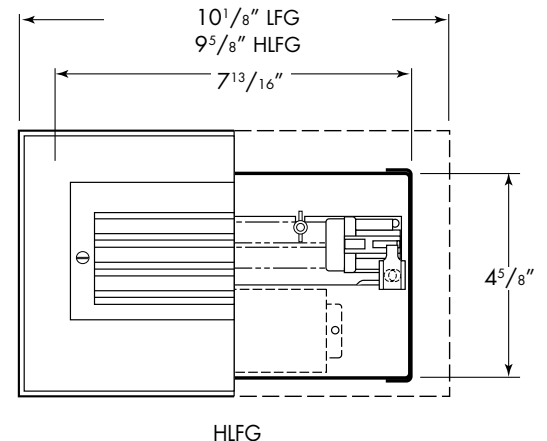
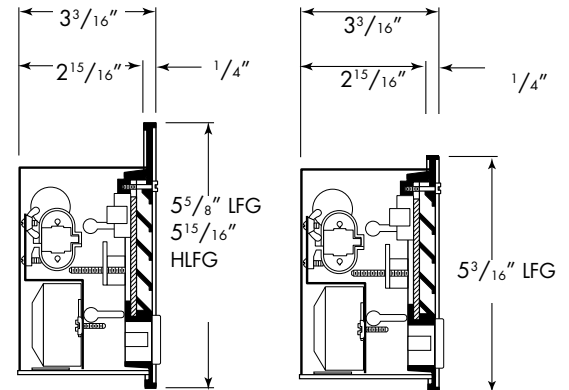
One (1) injection molded socket (GX23-2 base) suitable for 13W quad tube lamps.

INSTALLATION:

Galvanized steel mounting brackets are included.

LABELS:

U.L., CSA approved for damp locations and concrete pour. Contact Technical Support for questions. Approved for exterior/interior installations. Non-IC rated, not approved for through wiring. Consult factory for N.Y. City approval.



CATALOG NUMBER:

EXAMPLE: ALCFQ13120V - LFGZ TPS

HOUSING	VOLTAGE	FACEPLATE	FINISH	FACEPLATE OPTION
<input type="checkbox"/> ALCFQ13 13W quad tube CFL, Non-IC recessed step light	<input type="checkbox"/> 120V <input type="checkbox"/> CDN 120V Canadian electrical code compliant ballast disconnect	<input type="checkbox"/> LFG Louvered faceplate with prismatic glass <input type="checkbox"/> HLFG Hinged louvered faceplate with prismatic glass	<input type="checkbox"/> BL Black <input type="checkbox"/> BZ Bronze <input type="checkbox"/> WH White <input type="checkbox"/> Z Zet, metallic silver	<input type="checkbox"/> TPS Tamper proof screws



A Division of Hubbell Lighting, Inc.

In a continuing effort to offer the best product possible we reserve the right to change, without notice, specifications or materials that in our opinion will not alter the function of the product.
Web: www.prescolite.com • Tech Support: (888) 777-4832

LS-008

PHOTOMETRIC DATA

LiteStep Step Light - ALCFQ13

BALLAST DATA	13W 120V
Total System Watts	17W
Nominal Input Current (Amps)	0.14
Input Frequency	60Hz
Power Factor	HPF
Ballast Factor	0.95
Total Harmonic Distortion	<30%
Minimum Starting Temp.	0°C (32°F)

LAMP DATA	
Rated Watts	13W
Rated Lumens	860
Efficacy (LPW)	66
Rated Life (hours)	10,000
CRI	82
Minimum Starting Temp.	32°F
Base (2 Pin)	GX23-2

NOTES

Refer to www.prescolite.com for additional photometric tests (IES Files).



Web: www.prescolite.com • Tech Support: **(888) 777-4832**
701 Millennium Blvd., • Greenville, SC 29607 U.S.A. • Phone (864) 678-1000
Copyright ©2013 Prescolite, Inc., a division of Hubbell Lighting, Inc. All Rights Reserved
Specifications subject to change without notice. • Printed in U.S.A. • LS-008 • 4/9/13



**Hubbell
Lighting, Inc.**