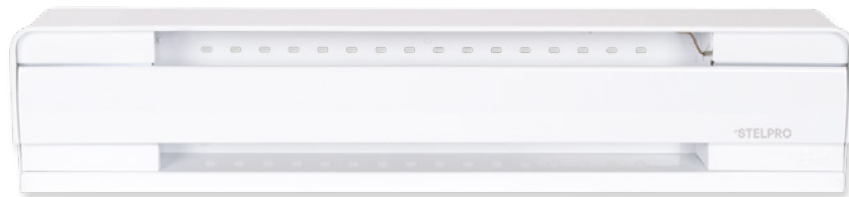


B

ELECTRIC BASEBOARD



THE REFERENCE ON THE MARKET

The B baseboard's reputation is well established. It's simply the most recognized and sought-after baseboard on the market. Its stand-out modern look, rounded corners and unique one-piece, no-end-cap construction make it the most solid and durable baseboard available.

THE MOST SOLID BASEBOARD ON THE MARKET

ONE-PIECE CONSTRUCTION

ROUNDED CORNERS

TOTALLY QUIET

MAY BE CONTROLLED BY A BUILT-IN OR WALL THERMOSTAT (NOT INCLUDED)

ELECTRONIC THERMOSTAT RECOMMENDED

COLOURS

- **standard:** white, soft white
- **ORORA (optional):** refer to www.stelpro.com/en-CA/orora

FINISH

- epoxy-polyester powdercoat

MANUFACTURING

- 22-gauge steel casing able to support 75 kg (165 lb) at its centre
- full-length thermal protection with automatic reset
- diffuser located above the element to ensure better air distribution
- full-length wireway

ELEMENT

- single tubular, stainless steel sheathed element with boxed aluminum fins for improved heat dissipation; the element is securely fastened at its centre, floating in nylon sleeves at each end, eliminating expansion and contraction noises

CONTROL

- built-in thermostat installed in the left or right junction box (optional)
- single pole electronic thermostat installed in the right junction box only (optional)
- wall thermostat (not included) – the use of an electronic thermostat is strongly recommended
- low voltage relay kit installed in the left junction box only (optional)

INSTALLATION

- surface mounted
- knockouts for the BX and clamps for the NMD cables located at each end
- mounting holes spaced at 1-inch intervals along the top and the bottom of the unit

WARRANTY

- five years, *three years on electronic components and lifetime warranty on heating element (for original owner)

IDEAL FOR:

kitchen, living room, bedroom, office, basement, commercial space

°STELPRO

°STELPRO reserves the right to modify descriptions, manufacturing specifications or prices without prior notice. No returns accepted on optional-colour products. For all the latest models and prices, please refer to our website at www.stelpro.com.



TECHNICAL SPECIFICATIONS

DENSITY OF 250 W PER LINEAR FOOT				POWER	VOLTAGE	LENGTH		WEIGHT	
WITHOUT THERMOSTAT		BUILT-IN ELECTRONIC THERMOSTAT				MM	IN.	KG	LB
CODE	PRICE	CODE	PRICE	WATTS	VOLTS				
B0301*	47.00	---	---	300	120	505	19 7/8	2.0	5
B0308*	39.00	---	---	300	208	505	19 7/8	2.0	5
B0302*	37.00	B0302ERW*	89.00	300/225	240/208	505	19 7/8	2.0	5
---	---	---	---	300	347	505	19 7/8	2.0	5
---	---	---	---	300	600	505	19 7/8	2.0	5
B0501*	49.00	---	---	500	120	708	27 7/8	3.0	7
B0508*	41.00	---	---	500	208	708	27 7/8	3.0	7
B0502*	39.00	B0502ERW*	92.00	500/375	240/208	708	27 7/8	3.0	7
B0503*	49.00	---	---	500	347	708	27 7/8	3.0	7
---	---	---	---	500	600	708	27 7/8	3.0	7
B0751*	55.00	---	---	750	120	956	37 5/8	4.1	9
B0758*	47.00	---	---	750	208	956	37 5/8	4.1	9
B0752*	45.00	B0752ERW*	97.00	750/560	240/208	956	37 5/8	4.1	9
B0753*	55.00	---	---	750	347	956	37 5/8	4.1	9
B0756*	55.00	---	---	750	600	956	37 5/8	4.1	9
B1001*	65.00	---	---	1000	120	1207	47 1/2	5.1	11
B1008*	54.00	---	---	1000	208	1207	47 1/2	5.1	11
B1002*	52.00	B1002ERW*	104.00	1000/750	240/208	1207	47 1/2	5.1	11
B1003*	65.00	---	---	1000	347	1207	47 1/2	5.1	11
B1006*	65.00	---	---	1000	600	1207	47 1/2	5.1	11
B1251*	77.00	---	---	1250	120	1454	57 1/4	6.2	14
B1258*	64.00	---	---	1250	208	1454	57 1/4	6.2	14
B1252*	62.00	B1252ERW*	114.00	1250/940	240/208	1454	57 1/4	6.2	14
B1253*	77.00	---	---	1250	347	1454	57 1/4	6.2	14
B1256*	77.00	---	---	1250	600	1454	57 1/4	6.2	14
B1501*	84.00	---	---	1500	120	1683	66 1/4	7.2	16
B1508*	69.00	---	---	1500	208	1683	66 1/4	7.2	16
B1502*	67.00	B1502ERW*	119.00	1500/1125	240/208	1683	66 1/4	7.2	16
B1503*	84.00	---	---	1500	347	1683	66 1/4	7.2	16
B1506*	84.00	---	---	1500	600	1683	66 1/4	7.2	16
---	---	---	---	1750	120	1930	76	8.2	18
B1758*	82.00	---	---	1750	208	1930	76	8.2	18
B1752*	79.00	B1752ERW*	132.00	1750/1315	240/208	1930	76	8.2	18
B1753*	100.00	---	---	1750	347	1930	76	8.2	18
B1756*	100.00	---	---	1750	600	1930	76	8.2	18
---	---	---	---	2000	120	2130	83 7/8	9.1	20
B2008*	91.00	---	---	2000	208	2130	83 7/8	9.1	20
B2002*	88.00	B2002ERW*	140.00	2000/1500	240/208	2130	83 7/8	9.1	20
B2003*	113.00	---	---	2000	347	2130	83 7/8	9.1	20
B2006*	113.00	---	---	2000	600	2130	83 7/8	9.1	20
---	---	---	---	2250	120	2381	93 3/4	10.2	22
B2258*	100.00	---	---	2250	208	2381	93 3/4	10.2	22
B2252*	97.00	B2252ERW*	149.00	2250/1690	240/208	2381	93 3/4	10.2	22
B2253*	123.00	---	---	2250	347	2381	93 3/4	10.2	22
B2256*	123.00	---	---	2250	600	2381	93 3/4	10.2	22
---	---	---	---	2500	120	2607	102 5/8	11.1	24
B2508*	108.00	---	---	2500	208	2607	102 5/8	11.1	24
B2502*	105.00	B2502ERW*	157.00	2500/1875	240/208	2607	102 5/8	11.1	24
B2503*	134.00	---	---	2500	347	2607	102 5/8	11.1	24
B2506*	134.00	---	---	2500	600	2607	102 5/8	11.1	24

* Add W for white or SW for soft white (consult the optional colours chart or contact your *STELPRO representative for all other colours).

* Available only for 240 V white models installed at the right end only

Models also available in 277 V and 480 V.

--- not available

Please note that the width of the units may vary by more or less 1/16 in. (0.15 cm).



ACCESSORIES

PRODUCT	DESCRIPTION	PRICE
B1T1ER*	built-in electronic thermostat (right side installation only) [120 V-347 V / max 2500 W (12.5 A)]. Can be factory installed. For 240 V white models installed at the right end, add ER to product code (ex: B0302ERW).	53.00
B1T1*	built-in single pole thermostat [120 V-600 V]	23.00
B2T1*	built-in double pole thermostat [120 V-600 V]	28.00
B2T1TP*	built-in tamper-proof double pole thermostat [120 V-600 V]	41.00
BRE153*	built-in electronic low voltage relay [15 A @ 120 V-347 V]	48.00
BRE156*	built-in electronic low voltage relay [6 A @ 600 V]	81.00
BRE153T*	built-in electronic low voltage relay c/w transformer 24 V [15 A @ 208 V-347 V]	62.00
BP*	spray paint	33.00

Electronic relays can receive a PWM (pulsed width modulation) or digital (on/off) signal.

* Add W for white or SW for soft white.

* Factory installation only

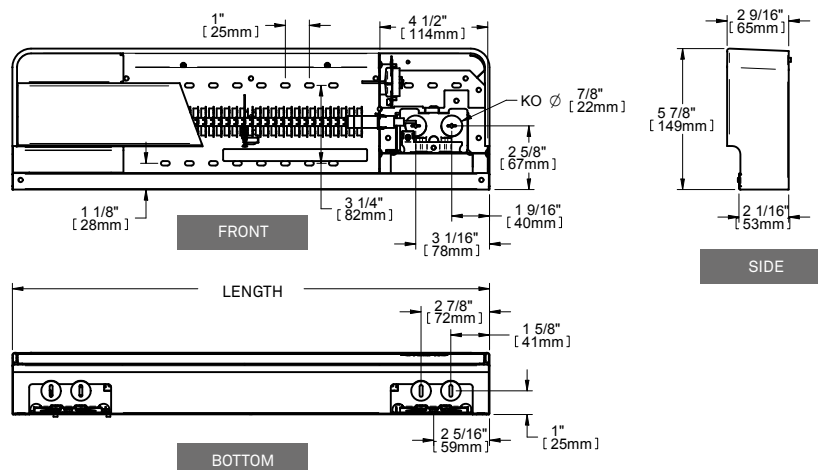


THERMAL PROTECTION HIDDEN INSIDE THE JUNCTION BOX



ULTRA-PRECISE ELECTRONIC THERMOSTAT (OPTIONAL)

TECHNICAL DRAWINGS





*STELPRO reserves the right to modify descriptions, manufacturing specifications or prices without prior notice. No returns accepted on optional-colour products. For all the latest models and prices, please refer to our website at www.stelpro.com.