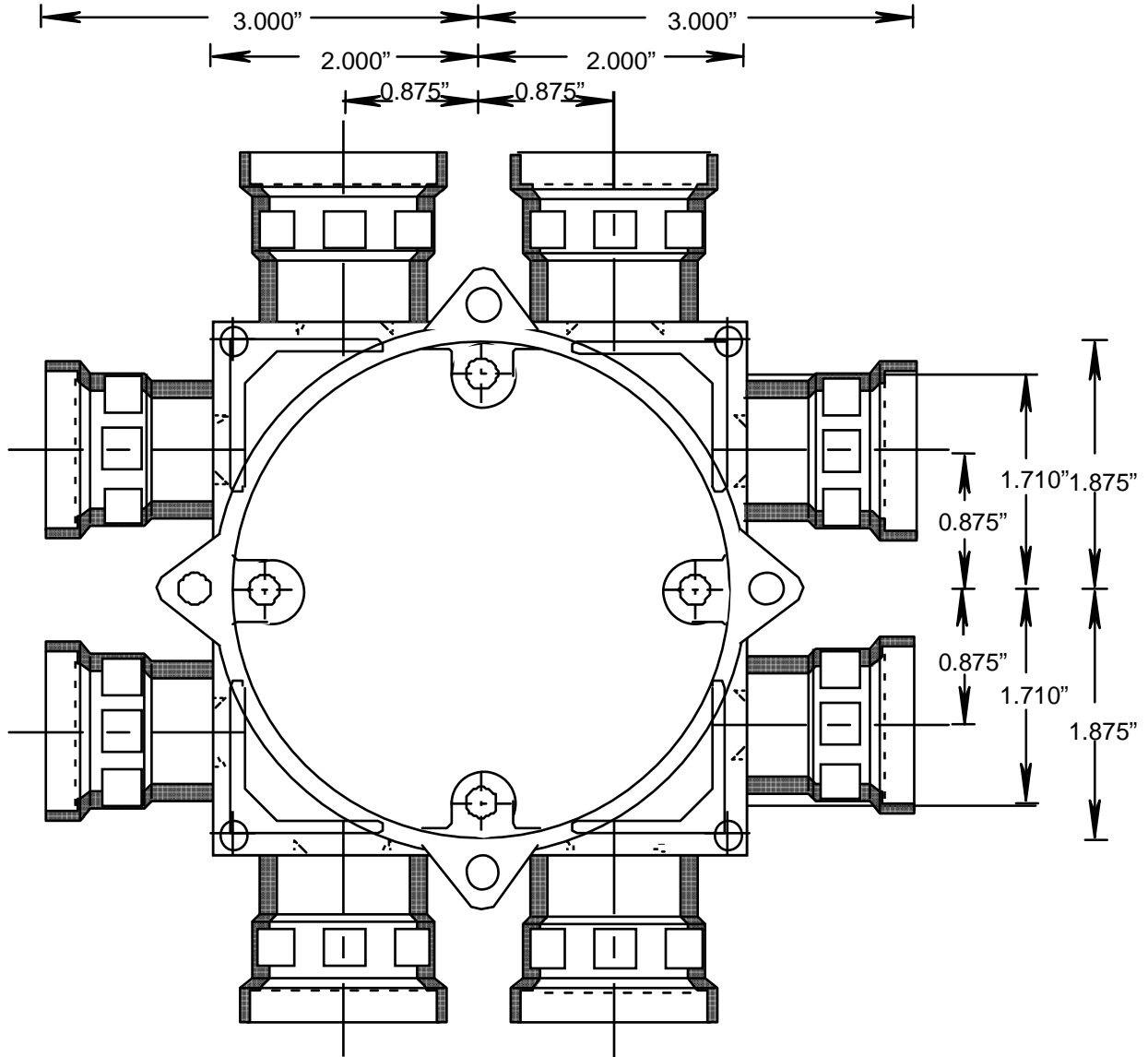


RIGID PVC CONDUIT FITTINGS

SHALLOW SLAB BOX, SMBS-H-10/15

ISSUE DATE:
DATE D'EMISSION: 2003 11 15

SUPERCEDES:
REPLACE: 2003 08 15

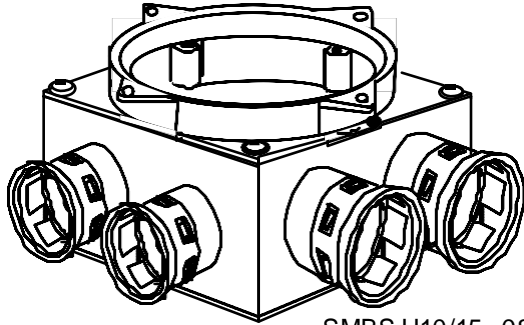


RIGID PVC CONDUIT FITTINGS

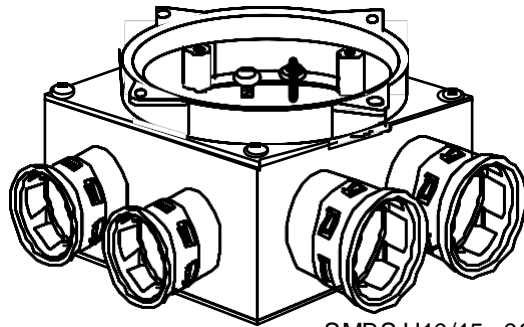
SHALLOW SLAB BOX, SMBS-H-10/15

ISSUE DATE:
DATE D'EMISSION: 2003 11 15

SUPERCEDES:
REPLACE: 2003 08 15



SMBS-H10/15, 089481



SMBS-H10/15, 089486

PART LIST:

DESCRIPTION	PART NUMBER	SMBS-H10/15 US, 089481	SMBS-H10/15 CDN, 089486
8-32 SLAB BR INS C/W LIP	072061	2	2
10-32 SLAB BR INS C/W LIP	072062	2	2
6-X5/8 PAN SOC SCREW	072250	4	4
8X3/4 (5/8) PAN COMB FOR MUD BOX	072559	4	4
SMBS HUB/LID	097028	1	1
8-32X1/2" P COMB 23 GREEN IRR SCREW	072257	-	2
1/2" RETAINERS	091987	4	4
3/4" RETAINERS	091988	4	4
SMBH10-15 BODY	097060	1	1
FLOOR BOX GROUND CLIP	072561	-	1

