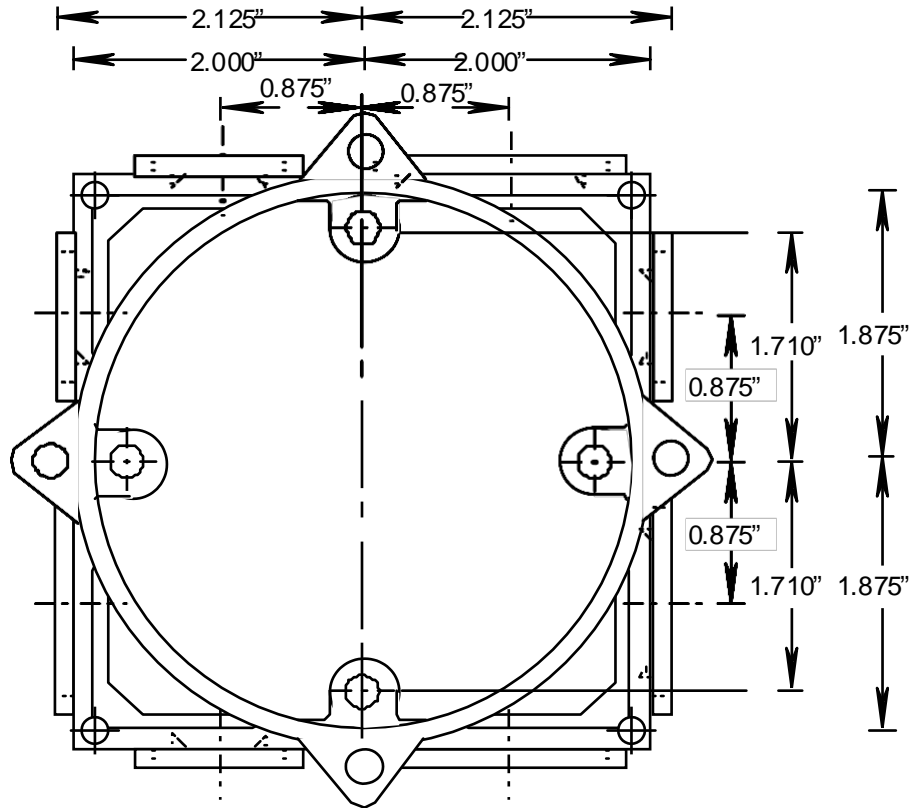


RIGID PVC CONDUIT FITTINGS

MUD BOX, SMB-10/20

ISSUE DATE:
DATE D'EMISSION: 2002 11 15

SUPERCEDES:
REPLACE: 2002 01 15



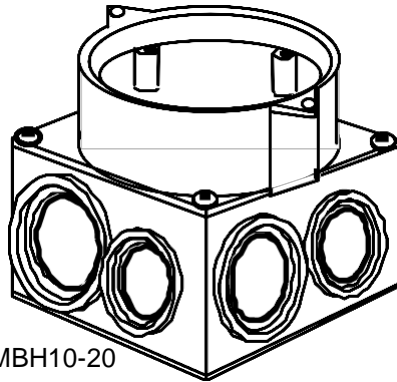
RIGID PVC CONDUIT FITTINGS

MUD BOX, SMB-10/20

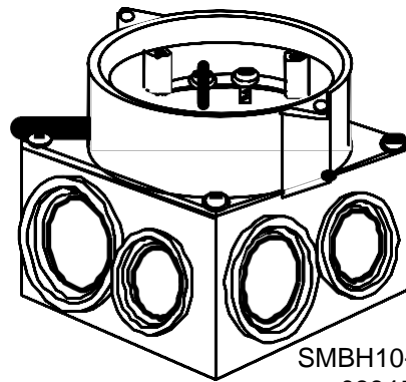
ISSUE DATE:
DATE D'EMISSION: 2002 11 15

SUPERCEDES:
REPLACE: 2002 01 15

2



SMBH10-20
089461



SMBH10-20
089451

PART LIST:

DESCRIPTION	PART NUMBER	SMBH10 US, 089461	SMBH10 CDN, 089451
8-32 SLAB BR INS C/W LIP	072061	2	2
10-32 SLAB BR INS C/W LIP	072062	2	2
6-X5/8 PAN SOC SCREW	072250	4	4
8X3/4 (5/8) PAN COMB FOR MUD BOX	072559	4	4
COVER AND TOP	097067	1	1
8-32X1/2" P COMB 23 GREEN IRR SCREW	072257	-	2
SMB10/20 BODY	097066	1	1
FLOOR BOX GROUND CLIP	072561	-	1

