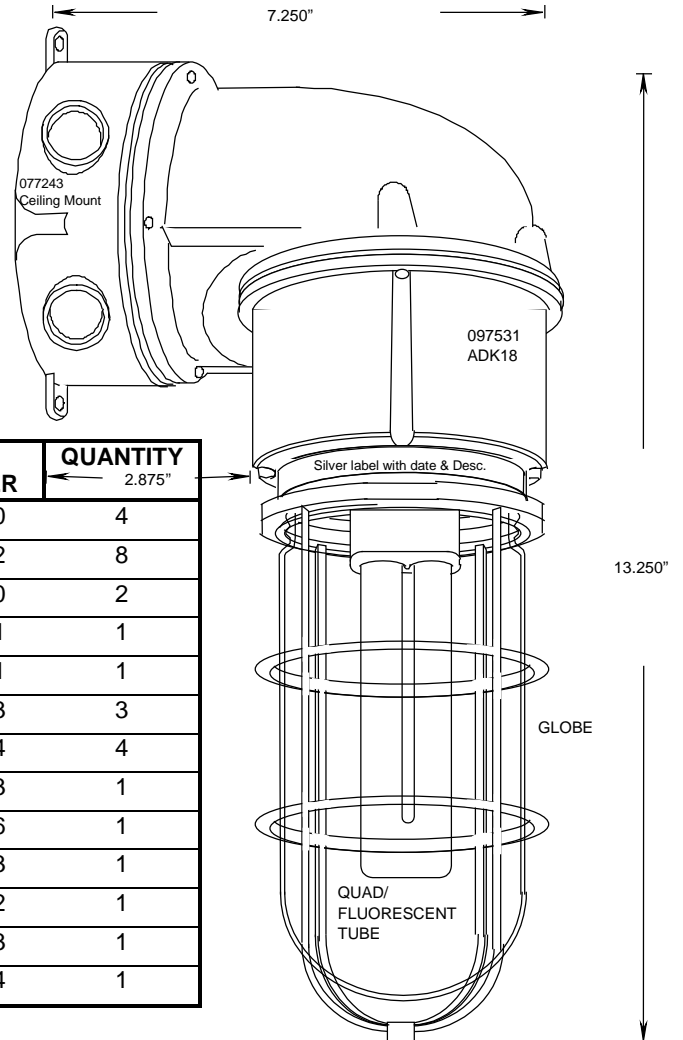


NON-METALLIC LIGHT FIXTURES

ISSUE DATE:
DATE D'EMISSION: 2000 12 05

WMF9 WALL MOUNTS

SUPERCEDES:
REPLACE:



COMMON PART LIST:

DESCRIPTION	PART NUMBER	QUANTITY
5 X 1/2 PLATED STEEL WOOD TAPPING SCREWS	072530	4
8-32 X 1/2 PAN COMB SCREWS	072522	8
150 BOX RED GASKET	072820	2
ADK18	097531	1
RED SMAL GASDKET	072821	1
8 X 3/4 TAPPING PAN SLOT TYPE A SCREWS	072523	3
3/4" X 1/2" REDUCER BUSHINGS 1805	097554	4
VPB150 CEILING MOUNT	077243	1
BALLAST/ TRANSFORMER 18 WATT	072816	1
WB150 90D WALL MOUNT	077233	1
BALLAST/ TRANSFORMER 7-9 WATT	072842	1
7-9 WATT LAMP HOLDER	072843	1
9 WATT FLUORESCENT TUBE	072844	1

SPECIFIC PART LIST:

PRODUCT CODE	PART NUMBER	GLOBE CODE	VPL9 ASSY CODE
077860	WPL9HRC Wall Mount Clear	072826	077150
077861	WPL9HRR Wall Mount Red	072827	077151
077862	WPL9HRB Wall Mount Blue	072823	077152
077863	WPL9HRG Wall Mount Green	072825	077153
077864	WPL9HRA Wall Mount Amber	072822	077154