

Junction Box: Pole Mounting Kit

PMK4-12 | 077940

The PMK4-12 pole mount kit facilitates a quick and easy installation of a JBX junction box onto a pole, such as an outdoor utility power pole.

APPLICATION / USE

The PMK4-12 pole mount kit is specifically designed for use with Scepter JBX junction boxes. This universal kit accommodates junction box sizes 442 to 12128 for the secure attachment of JBX boxes to all types of poles. The PMK4-12 kit is shipped with two identical sets of brackets with all hardware for fastening to the JBX box and two sets of metal straps for securing to the pole. The PMK4-12 can be used on wooden, concrete, steel and fiberglass poles of round, square and octagonal shape up to 15" in diameter. The brackets are constructed of plated galvanized steel and supplied with stainless steel hardware and straps providing robustness and are suitable for indoor or outdoor installations.

MATERIAL

Galvanized steel, stainless steel

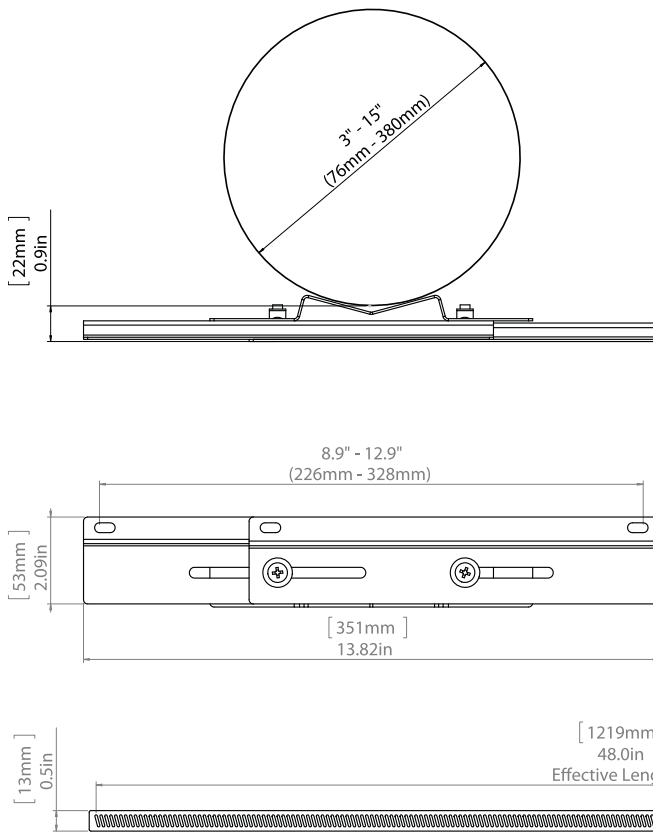
FASTENER TOOLS

- #2 Phillips screwdriver
- Ratchet
- M10 (3/8") box wrench
- M8 (5/16") socket

PACKAGING

- Carton Quantity: 10
- Carton Weight: 5.1 lbs

For Mounting 8" & 12" JBX



For Mounting 4" to 6" JBX

