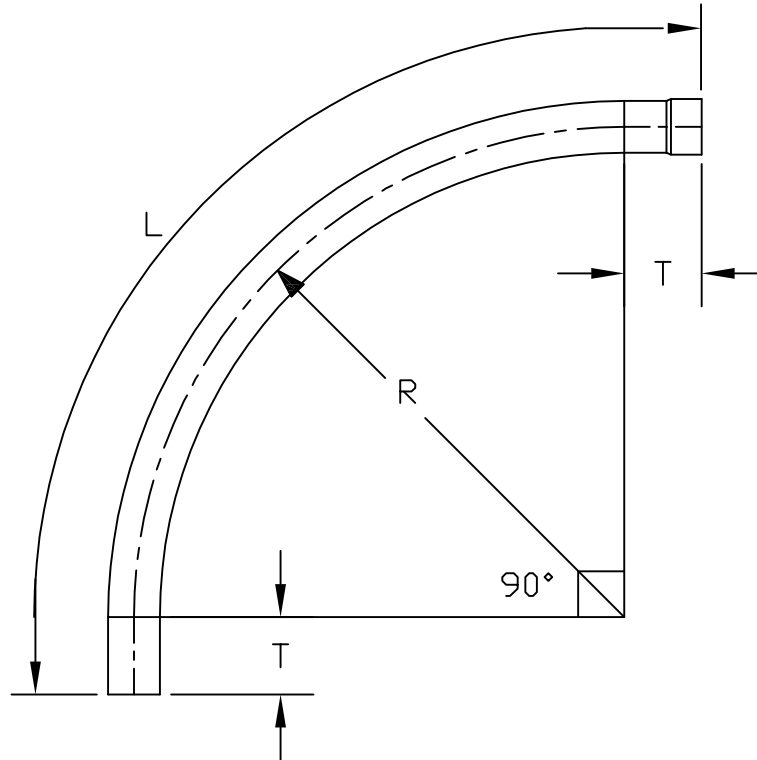


RIGID PVC CONDUIT
 CONDUIT RIGIDE EN PVC

90° SCH40 BEND BE / COUDE 90° MXH

ISSUE DATE: 2009 03 24
 DATE D'EMISSION:

SUPERSEDES: 2002 12 06
 REMPLACE:



CODE	Size Grosueur	L Ref.	R Ref.	T Ref.
069091	129mm (5.0")	1149mm (45.25")	610mm (24.0")	152mm (6.0")
069092	155mm (6.0")	1524mm (60.0")	762mm (30.0")	152mm (6.0")

L-LENGTH OF PIPE BEFORE BENDING / LONGUEUR DU TUYAU AVANT D'ETRE COURBE