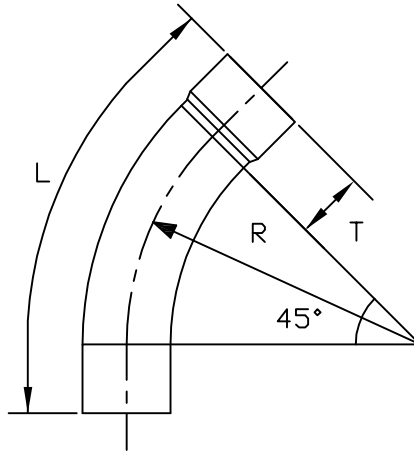


RIGID PVC CONDUIT  
CONDUIT RIGIDE EN PVC

45° SCH40 BEND SPXSOC / 45° SCH40 COUDE MXH

ISSUE DATE: 2007 09 24  
DATE D'EMISSION:

SUPERSEDES: 2006 05 02  
REPLACE:



	CODE	Size Grosueur	L Ref.	R Ref.	T Ref.
HALEX	# 068561 * 069201 # 078600 064540 020654	13mm (0.5")	152mm (6.0")	102mm (4.0")	38mm (1.50")
HALEX	# 068562 * 069202 # 078601 064541 020655	19mm (0.75")	171mm (6.75")	114mm (4.50")	38mm (1.50")
HALEX	# 068563 * 069203 # 078602 064542 020656	25mm (1.0")	222mm (8.75")	146mm (5.75")	48mm (1.875")
HALEX	# 068564 * 069204 # 078603 064543	32mm (1.25")	257mm (10.125")	184mm (7.25")	51mm (2.0")
HALEX	# 068565 * 069205 # 078604 064544	38mm (1.50")	283mm (11.125")	210mm (8.25")	51mm (2.0")
HALEX	# 068566 * 069206 # 078605 064545	51mm (2.0")	298mm (11.75")	241mm (9.50")	51mm (2.0")
	* 069207	63mm (2.5")	360mm (14.188")	267mm (10.50")	76mm (3.0")
	* 069208	78mm (3.0")	438mm (17.25")	330mm (13.0")	89mm (3.50")
	# 068570 * 069210 # 078609	102mm (4.0")	505mm (19.875")	406mm (16.0")	86mm (3.375")
	* 069211	129mm (5.0")	1016mm (40.0")	610mm (24.0")	267mm (10.50")
	* 069212	155mm (6.0")	1016mm (40.0")	762mm (30.0")	210mm (8.25")

#- UL APPROVED / APPROUVES

\*- CSA CERTIFIED / CERTIFIE

L-LENGTH OF PIPE BEFORE BENDING / LONGUEUR DU TUYAU AVANT D'ETRE COURBE