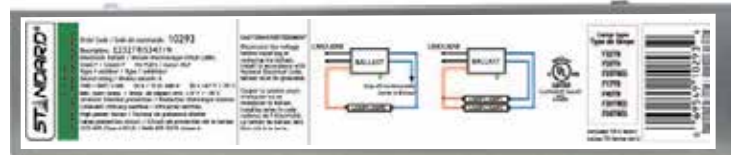


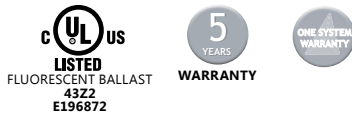
ORDERING INFORMATION

Order code: 10293
 Description: E232T8IS347/N
 UPC: 69549102934



SPECIFICATIONS

Ballast type:	Electronic	Type	1 Outdoor
Starting method:	Instant Start	Contains PCBs:	No
Lamp connection:	Parallel	Sound rating:	A
Input voltage (V):	347 V	Open current voltage (OCV) (V):	600
Input frequency (Hz):	50/60HZ	Inherent thermal protection:	Yes
Max. case temperature:	75 °C	Lamp protection circuit:	Yes
Thermal protection:	Class P	ICES-005 Compliant:	Class A RFLD
		Auto-restrike:	Yes



Lamp type	Number of lamps	Rated lamp watts	Min. start temp. (°F / °C)	Input current (A)	Input power (ANSI watts)	Ballast factor	Max THD (%)	Power factor	Max. lamp current crest factor	B.E.F.
347 VOLTS										
F32T8 (32W)	2	32	0/-18	0.16	55	0.87	10	0.99	1.7	1.58
F32T8/ES (30W)	2	30	32/0	0.15	52	0.87	10	0.99	1.7	1.67
F32T8/ES (28W)	2	28	32/0	0.14	48	0.87	10	0.99	1.7	1.81
F32T8/ES (25W)	2	25	32/0	0.12	44	0.87	10	0.99	1.7	1.98
F25T8 (25W)	2	25	0/-18	0.13	46	0.89	10	0.99	1.7	1.93
F17T8 (17W)	2	17	0/-18	0.10	34	0.93	10	0.99	1.7	2.74
LED22T8 (22W)	2	22	0/-18	0.13	44	-	10	0.98	-	-
LED18T8 (18W)	2	18	0/-18	0.10	35	-	10	0.97	-	-
F32T8 (32W)	1	32	0/-18	0.10	35	1.06	10	0.99	1.7	3.03
F32T8/ES (30W)	1	30	32/0	0.10	33	1.06	10	0.99	1.7	3.21
F32T8/ES (28W)	1	28	32/0	0.10	31	1.06	10	0.99	1.7	3.42
F32T8/ES (25W)	1	25	32/0	0.08	27	1.06	10	0.99	1.7	3.93
F25T8 (25W)	1	25	0/-18	0.08	28	1.10	15	0.98	1.7	3.93
F17T8 (17W)	1	17	0/-18	0.06	19	1.40	10	0.99	1.7	7.37
F40T8 (40W)	1	40	32/0	0.12	41	1.00	10	0.99	1.7	2.44
LED22T8 (22W)	1	22	0/-18	0.09	28	-	10	0.96	-	-
LED18T8 (18W)	1	18	0/-18	0.08	22	-	10	0.95	-	-

WARRANTY:

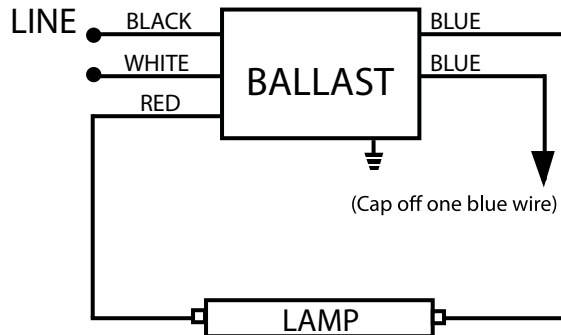
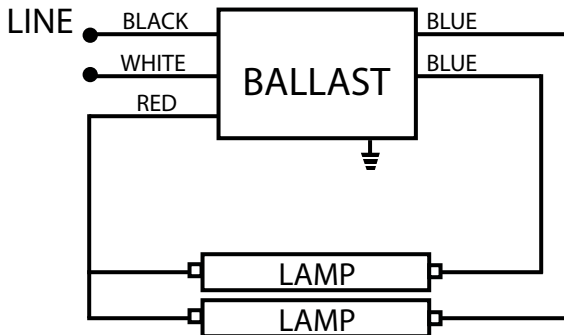
Ballast warranty of 5 years for electronic ballast 75 °C. Ballast warranty of 3 years for electronic ballast 90 °C. For more information visit our website.

Data is based upon tests performed in a controlled environment and representative of relative performance. Actual performance can vary depending on operating conditions. Specifications are subject to change without notice. March 9, 2015

ORDERING INFORMATION

Order code: 10293
 Description: E232T8IS347/N
 UPC: 69549102934

WIRING DIAGRAM

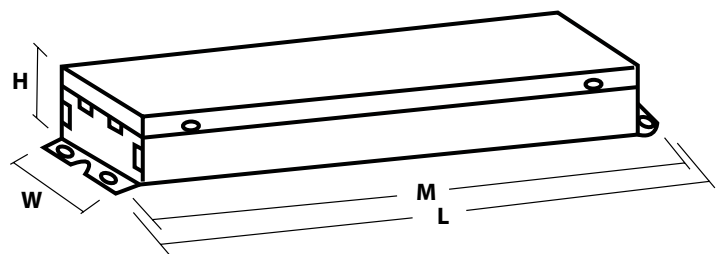


LEADS LENGTH

Black	18.0" (48.0 cm)
White	18.0" (48.0 cm)
Blue	31.0" (78.70 cm)
Red	46.5" (118.0 cm)
Yellow	46.0" (116.84 cm)

BALLAST DIMENSIONS

Length (L):	9.50" (24.10 cm)
Width (W):	1.70" (4.30 cm)
Height (H):	1.14" (2.90 cm)
Mounting (M):	8.90" (22.60 cm)



WARRANTY:

Ballast warranty of 5 years for electronic ballast 75 °C. Ballast warranty of 3 years for electronic ballast 90 °C.
 For more information visit our website.

Data is based upon tests performed in a controlled environment and representative of relative performance.
 Actual performance can vary depending on operating conditions. Specifications are subject to change without notice.
 March 9, 2015