

ORDERING INFORMATION

Order code: 56558
 Description: E232T8IS120/L/BULK
 UPC: 69549565586



SPECIFICATIONS

Ballast type: Electronic
Starting method: Instant Start (IS)
Lamp connection: Parallel
Input voltage (V): 120V
Input frequency (Hz): 60HZ
Max. case temperature: 75 °C
Thermal protection: Class P

Type: 1 Outdoor
Contains PCBs: No
Sound rating: A
Open current voltage (OCV) (V): 600
Inherent thermal protection: Yes
Lamp protection circuit: Yes
ICES-005 Compliant: Class A RFLD
Auto-restrike: Yes



Lamp type	Number of lamps	Rated lamp watts	Min. start temp. (°F / °C)	Input current (A)	Input power (ANSI watts)	Ballast factor	Max THD (%)	Power factor	Max. lamp current crest factor	B.E.F.
120 VOLTS										
F32T8 (32W)	2	32	0/-18	0.39	48	0.77	10	0.99	1.7	1.60
F32T8/ES (30W)	2	30	32/0	0.38	45	0.77	10	0.99	1.7	1.71
F32T8/ES (28W)	2	28	32/0	0.34	42	0.77	10	0.99	1.7	1.83
F32T8/ES (25W)	2	25	32/0	0.32	38	0.77	10	0.99	1.7	2.03
F25T8 (25W)	2	25	0/-18	0.32	38	0.80	10	0.99	1.7	2.11
F17T8 (17W)	2	17	0/-18	0.22	27	0.81	10	0.99	1.7	3.00
F32T8 (32W)	1	32	0/-18	0.25	30	0.87	10	0.99	1.7	2.90
F32T8/ES (30W)	1	30	32/0	0.24	28	0.88	10	0.99	1.7	3.14
F32T8/ES (28W)	1	28	32/0	0.22	26	0.90	10	0.99	1.7	3.46
F32T8/ES (25W)	1	25	32/0	0.20	24	0.90	10	0.99	1.7	3.75
F25T8 (25W)	1	25	0/-18	0.19	23	0.93	10	0.99	1.7	4.04
F17T8 (17W)	1	17	0/-18	0.15	18	1.00	10	0.99	1.7	5.56
F40T8 (40W)	1	40	32/0	0.30	36	0.88	10	0.99	1.7	2.44

WARRANTY:

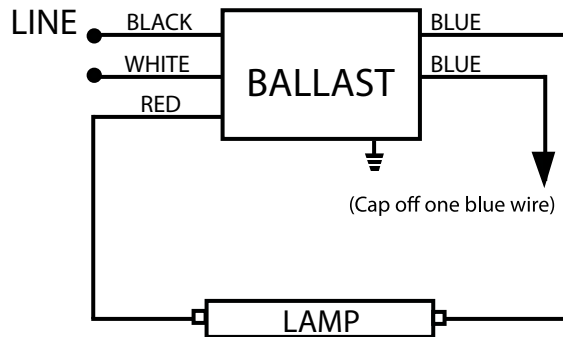
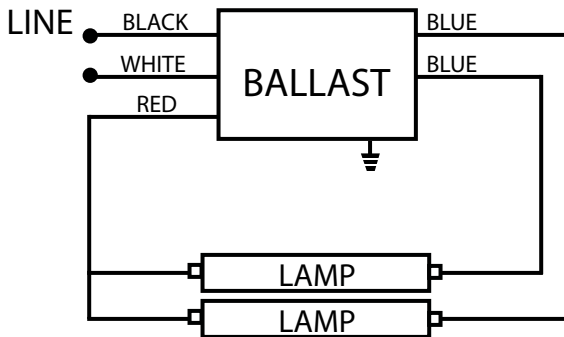
Ballast warranty of 5 years for electronic ballast 75 °C. Ballast warranty of 3 years for electronic ballast 90 °C.
 For more information visit our website.

Data is based upon tests performed in a controlled environment and representative of relative performance.
 Actual performance can vary depending on operating conditions. Specifications are subject to change without notice.
 March 9, 2015

ORDERING INFORMATION

Order code: 56558
 Description: E232T8IS120/L/BULK
 UPC: 69549565586

WIRING DIAGRAM

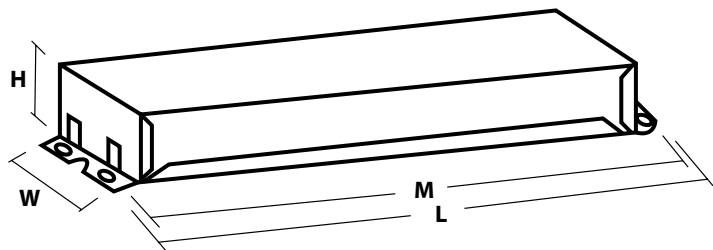


LEADS LENGTH

Black	18.8" (48.0 cm)
White	18.8" (48.0 cm)
Blue	30.9" (78.5 cm)
Red	46.4" (118.0 cm)

BALLAST DIMENSIONS

Length (L):	9.50" (24.10 cm)
Width (W):	1.70" (4.30 cm)
Height (H):	1.14" (2.90 cm)
Mounting (M):	8.90" (22.60 cm)



WARRANTY:

Ballast warranty of 5 years for electronic ballast 75 °C. Ballast warranty of 3 years for electronic ballast 90 °C.
 For more information visit our website.

Data is based upon tests performed in a controlled environment and representative of relative performance.
 Actual performance can vary depending on operating conditions. Specifications are subject to change without notice.
 March 9, 2015