

WPT-L

LED WALL PACK 22W (1830 lumens)

IP RATING
65



Approvals:
cULus listed
Suitable for wet locations



quick
ship

5
yr
warranty



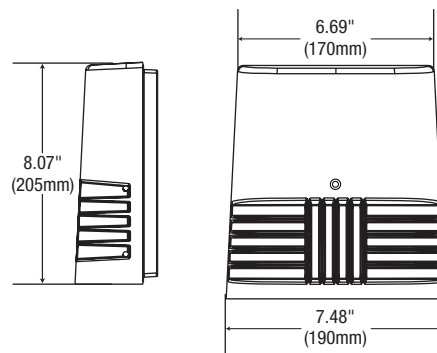
DESCRIPTION

The designed WPT-L is a highly efficient LED wall mount luminaire. This fixture is supplied with a photocell (120V) and a wall bracket (for surface mounting only). This fixture is best suited for entrances, underpasses, or anywhere controlled security lighting is required. The WPT-L is made of tough die cast aluminum housing and is IP65 rated.

TECHNICAL SPECIFICATIONS

- Die cast aluminum housing
- Integrated photocell (120V standard)
- Bronze UV resistant powder coat finish
- Input voltage: 120V AC standard (208-277V and 347V AC optional)
- High quality, long life LEDs
- Estimated lifespan of 50 000 hours
- 22W offers 1830 total lumens
- 5000K color temperature
- Low starting temperature of -40°C

DIMENSIONS



QUICK SHIP ORDERING GUIDE*

Part number	Wattage	Lumens	Voltage	Colour temperature	Efficacy
WPT-LS1-A/50K/P	22W	1830lm	120V	5000K	83lm/W

* **QUICK SHIP:** Product availability is subject to change without notice. Please contact your Stanpro customer service representative to confirm inventory levels at time of order.

ORDERING GUIDE

Series	Lamp type	Wattage	Voltage	Colour temperature	Options
WPT	L - LED	S1 - 1830 lumens (22W)	A - 120V (standard) G - 208-277V H - 347V	50K - 5000K	P - 120V photocell (standard in 120V and 347V) P277 - 208-277V photocell