

# WPQ-L

## 2 IN 1 LED WALL PACK (Surface Mount/Conduit Feed)

22W (1830 lumens)

**IP RATING**  
**65**



**Approvals:**  
cULus listed  
Suitable for wet locations



**quick  
ship**

**5  
yr  
warranty**



Surface mounting shown

Conduit mounting shown

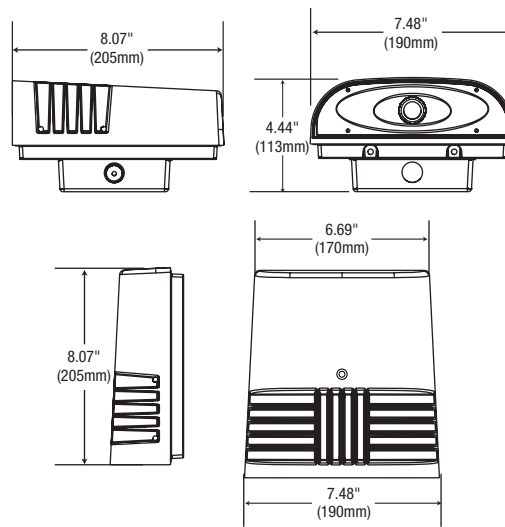
### DESCRIPTION

The designed and versatile WPQ-L is a highly efficient LED wall mount luminaire. This fixture is supplied with a photocell (120V), a wall bracket (for surface mounting), and a wiring box (for feed-through mounting). This fixture is best suited for entrances, underpasses, or anywhere controlled security lighting is required. The WPQ-L is made of tough die cast aluminum housing and is IP65 rated. This fixture also has the option of adding a 1/2" fitter, a slipfitter or trunion for flood lighting.

### TECHNICAL SPECIFICATIONS

- Die cast aluminum housing
- Integrated photocell (120V)
- Bronze UV resistant powder coat finish
- Input voltage: 120V AC standard (208-277V and 347V AC optional)
- High quality, long life LEDs
- Estimated lifespan of 50 000 hours
- 22 Watts offers 1830 total lumens
- 5000K colour temperature
- Low starting temperature of -40°C

### DIMENSIONS



### QUICK SHIP ORDERING GUIDE\*

Part number	Casting colour	Wattage	Lumens	Voltage	Colour temperature	Efficacy
WPQ-LS1-A/50K/P	Bronze	22W	1830lm	120V	5000K	83lm/W

\* **QUICK SHIP:** Product availability is subject to change without notice. Please contact your Stanpro customer service representative to confirm inventory levels at time of order.

### ORDERING GUIDE

Series	Lamp type	Lumen package delivered	Voltage	Colour temperature	Casting colour	Options
<b>WPQ</b>	<b>L - LED</b>	<b>S1 - 1830 lumens (22W)</b>	<b>A - 120V (standard) G - 208-277V H - 347V</b>	<b>50K - 5000K</b>	<b>Blank - Bronze (standard) WH - White</b>	<b>P - 120V photocell (standard 120V and 347V) P277 - 208-277V photocell NPT 1 - 1/2" fitter A - Slipfitter TR - Trunion or Yoke mount</b>