

# RMPN

## PLASTIC RUNNING MAN

LED 120/347VAC Input

**Approvals:**  
CSA Certified to C22.2 #141.15, C860  
**Compliance:**  
Meets requirements of ICES-005

Energy Verified  
Energie Vérifiée



ICES  
005



quick  
ship



### DESCRIPTION

The RMPN series of commercial or decorative plastic running man signs is designed using durable and lightweight high impact thermoplastic.

### CIRCUITRY - AC & AC/DC

- LED ultra bright light source
- 120/347VAC Input, field selectable
- 120V/0.28A 2.30W; 347V/0.31A 2.75W max power consumption
- Emergency DC wattages as follows:  
**6VDC = 1.42W 12VDC = 1.42W 24VDC = 1.42W**

### CIRCUITRY - SELF-POWERED

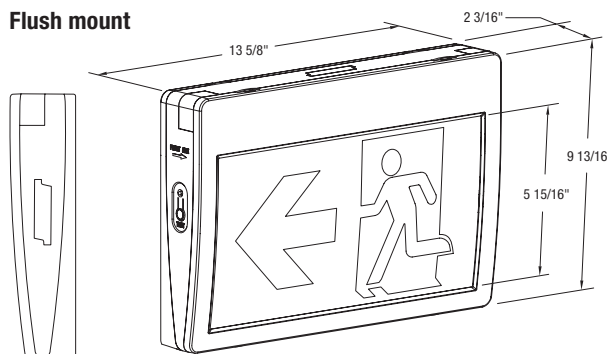
- LED ultra bright light source
- 120/347VAC Input, field selectable
- 120V/0.46A 4.01W; 347V/0.37A 3.51W max power consumption
- Ambient temperature 10°C to 35°C
- High-performance, sealed Ni-Cad battery
- 90 Minutes emergency duration (standard)
- Solid state transfer and battery charger

### MECHANICAL

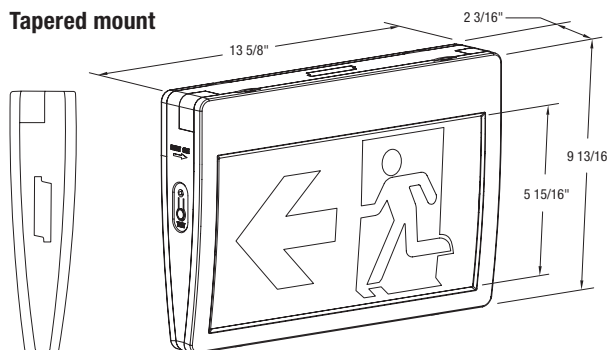
- High impact, UV stabilized, thermoplastic construction
- Quick snap faceplates and universal canopy for rapid and simple installation
- Flush wall mount backplate included

### DIMENSIONS

#### Flush mount



#### Tapered mount



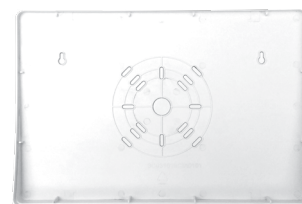
Comes standard with three pictogram legends for direction selection.



For double face no arrow options, select "0" on the options column.



Flush wall mount backplate. Use for direct wall mount (no canopy required) Spider knock-out for wall-mount



Universal canopy



### ORDERING GUIDE

RMPN	0	WH	—	/
Series	Nbr of faces and Mounting	Colour	DC Output	Options†
RMPN	0 - Universal	WH - White	UDC - Universal DC backup voltage from 6 to 24VDC IB - Self-powered for 90 minutes	0 - No indicators (double face only)

† For detailed options descriptions, please consult the options page.

**QUICK SHIP:** Not all products are Quick Ship. To view our Quick Ship qualified products, please consult our Quick Ship Product Guide at [stanprols.com/quick-ship-product-guide](http://stanprols.com/quick-ship-product-guide). Product availability is subject to change without notice. Please contact your Stanpro customer service representative to confirm inventory levels at time of order.