

Fittings

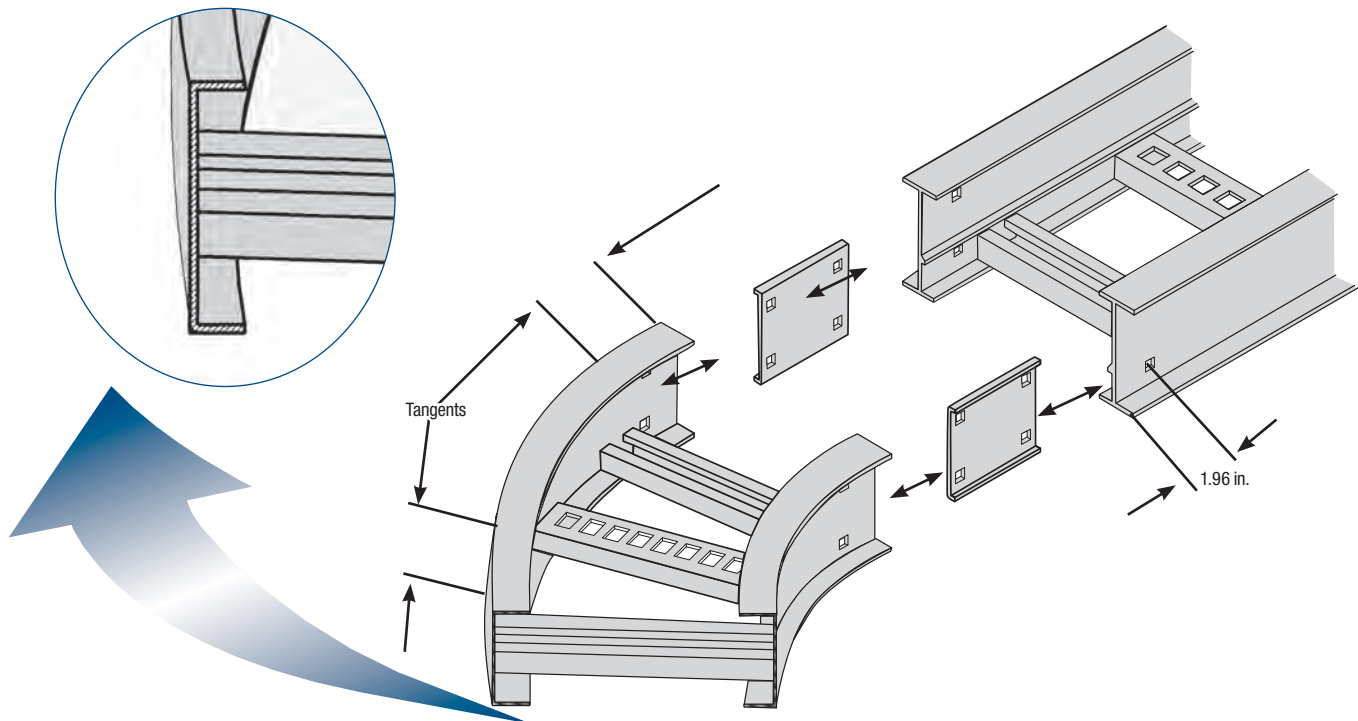
Explaining the Fitting Styles

U-Style

U-Style fittings constructed with side rail flanges on the inside only (U-Beam)

Features & Benefits

- U-Style and H-Style are interchangeable
- Lowest purchase price
- Easy to install
- Occupies less space in areas where space is restrained
- Easy to align straights
- Splice plate holds components together while hardware is inserted
- Lighter fittings are easy to handle
- Functional design
- Tangents on fittings
- 7 in. length Snap-in splice plate



T&B aluminum cable tray is composed of two distinct systems H-Style and U-Style. These systems are interchangeable.

Fittings

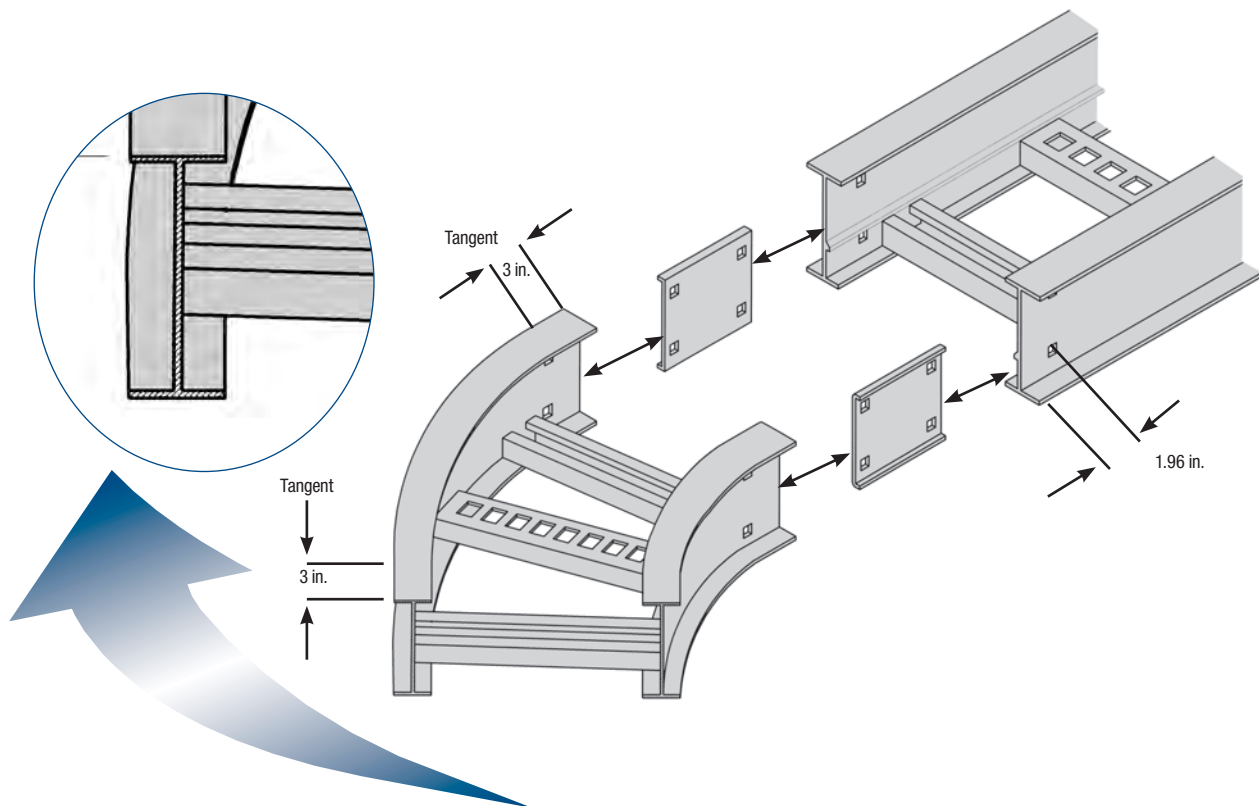
Explaining the Fitting Styles

H-Style

H-Style fittings constructed with side rail having inner and outer flanges (H-Beam)

Features & Benefits

- Improved system rigidity
- Improved aesthetics and customer appeal
- Easy to install
- Easy to align straights and fittings
- Splice plate holds components together while hardware is inserted
- Premium design
- 3 in. tangents on fittings
- 7 in. length Snap-in splice plate



T&B aluminum cable tray is composed of two distinct systems H-Style and U-Style. These systems are interchangeable.

Fittings

Horizontal Fittings Selection

Fittings in a cable tray system are required to change cable routing direction and to join straight sections and other fittings.

This step of the cable tray selection process requires that the specifier chooses between two distinct styles U and H.

Note: The U-Style and H-Style systems are interchangeable.

U-Style Fitting

A U-shaped extrusion forms the fitting side rail.

U-Style fittings utilize a 7 in. splice plate and the fittings have tangents at the extremities.

This style offers maximum quality versus cost ratios of the installation.

H-Style Fitting

An H-shaped extrusion forms the fitting side rail.

H-Style fittings utilize a 7 in. splice plate and the fittings have 3 in. tangents at the extremities.

This style offers enhanced aesthetics to the end-user and increased system rigidity.

Fitting Number Selection

(AUF-6)-24-L-V060-12

Fitting Material	Fitting Style	Side Rail Depth	Width	Bottom Type	Fitting Type	Angle **	Nominal Radius †
A • Aluminum	UF • U-Beam	4 • (4 in.)	06 • (6 in.)	L • Ladder * V • Ventilated *** S • Solid trough ****	HB • Horizontal bend	30 • (30°)	12 • (12 in.)
	HF • H-Beam	5 • (5 in.)	09 • (9 in.)		HT • Horizontal tee	45 • (45°)	24 • (24 in.)
		6 • (6 in.)	12 • (12 in.)		HX • Horizontal cross	60 • (60°)	36 • (36 in.)
		7 • (7 in.)	18 • (18 in.)		VI • Vertical inside bend	90 • (90°)	48 • (48 in.)
			24 • (24 in.)		VO • Vertical outside bend		
			30 • (30 in.)		VTD • Vertical tee down		
			36 • (36 in.)		VTU • Vertical tee up		
			42 • (42 in.)		HYR • Horizontal wye right		
					HYL • Horizontal wye left		
					RT • Horizontal reducing tee		
					ET • Horizontal expanding tee		
					EX • Horizontal expand cross		
					HLR • Horizontal left reducer		
					HSR • Horizontal straight reducer		
					HRR • Horizontal right reducer		
					CS • Cable support fitting		
Prefix							

** Angle is required for HB, VI, VO only.

† Radius is not required for the following fitting types: HYR, HYL, HLR, HRR, HSR

* Manufactured with 9 in. rung spacing measured at the center line of fitting.









*** Manufactured with 4 in. edge to edge rung spacing measured at the center line of fitting.

**** Manufactured with flat sheet inserted under rungs with 9 in. rung spacing measured at the center line of fitting.

Fittings

Horizontal Fittings Selection Guide

Horizontal Bends

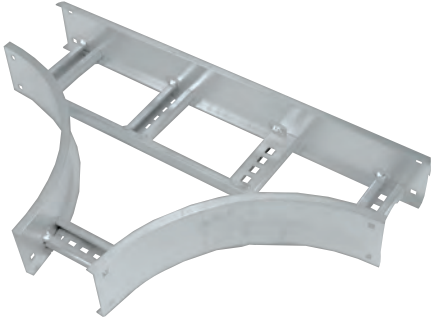
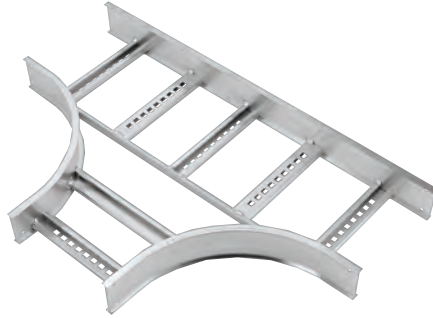
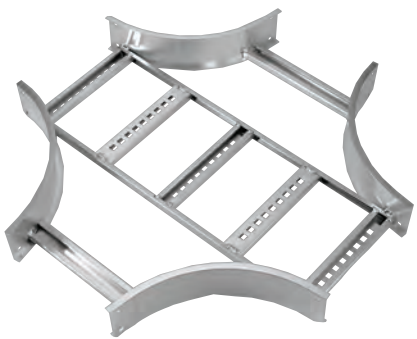
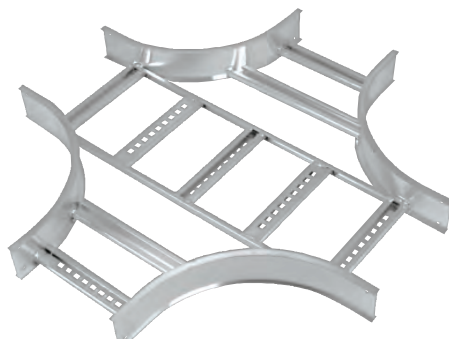
U-Style		H-Style	
	90° Horizontal Bend		90° Horizontal Bend
Page A62		Page A63	
	60° Horizontal Bend		60° Horizontal Bend
Page A62		Page A63	
	45° Horizontal Bend		45° Horizontal Bend
Page A64		Page A65	
	30° Horizontal Bend		30° Horizontal Bend
Page A64		Page A65	

T&B aluminum cable tray is composed of two distinct systems H-Style and U-Style. These systems are interchangeable.

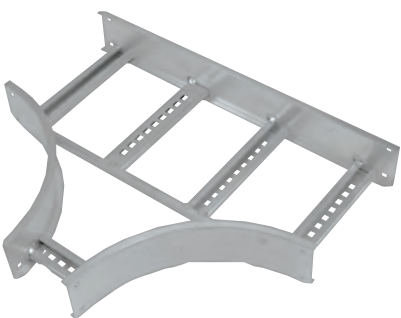
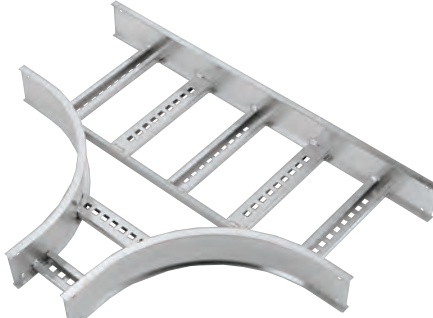
Fittings

Horizontal Fittings Selection Guide

Horizontal Tees, Crosses

U-Style		H-Style	
			
Page A66	Tee	Page A67	Tee
			
Page A66	Cross	Page A67	Cross

Horizontal Reducing Tees

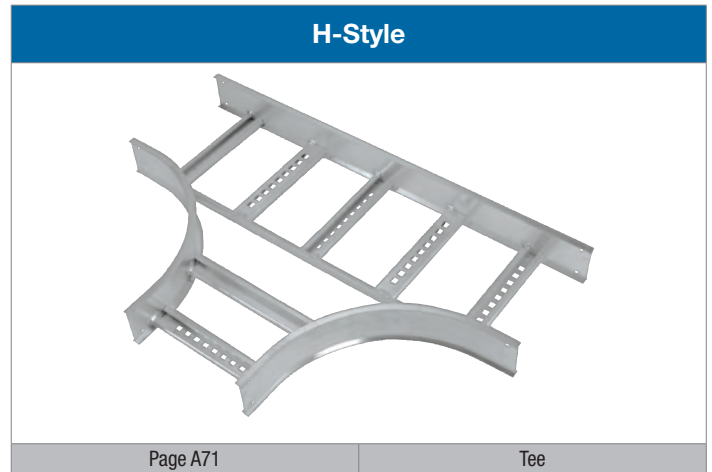
U-Style	H-Style
	
Page A68	Page A69

T&B aluminum cable tray is composed of two distinct systems H-Style and U-Style. These systems are interchangeable.

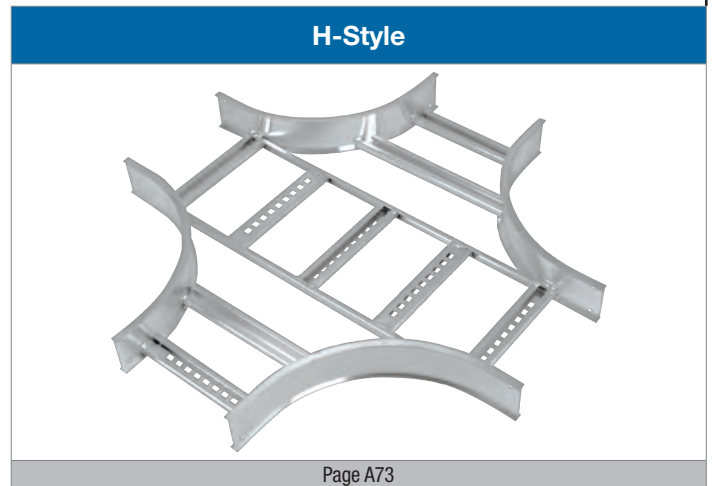
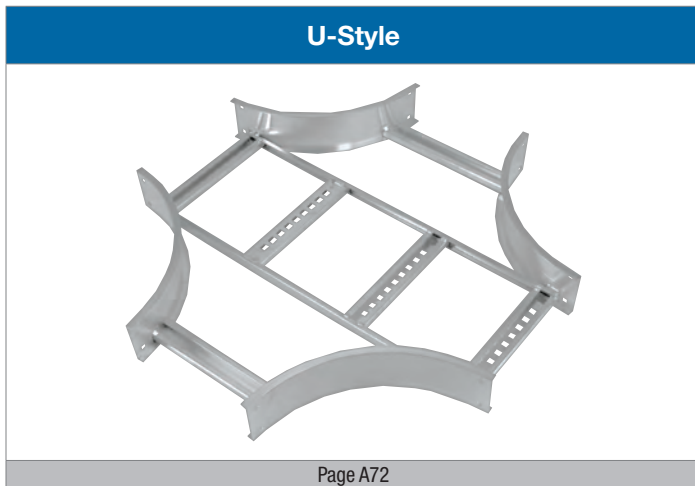
Fittings

Horizontal Fittings Selection Guide

Horizontal Expanding Tees



Horizontal Expanding Crosses









T&B aluminum cable tray is composed of two distinct systems H-Style and U-Style. These systems are interchangeable.



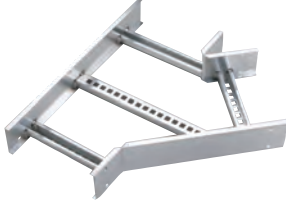
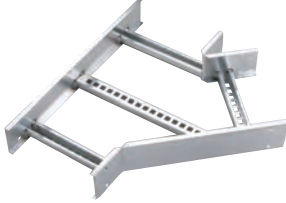


Fittings

Vertical Fittings Selection Guide

Reducers

U-Style		H-Style	
			
Page A74	Offset Reducer - Right	Page A75	Offset Reducer - Right
			
Page A74	Reducer Straight	Page A75	Reducer Straight
Page A74	Offset Reducer Left	Page A75	Offset Reducer Left

Wyes







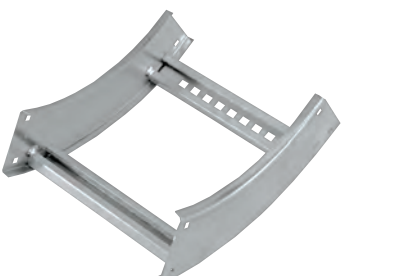

U-Style		H-Style	
			
Page A76	Left Hand Wye	Page A77	Left Hand Wye
			
Page A76	Right Hand Wye	Page A77	Right Hand Wye

T&B aluminum cable tray is composed of two distinct systems H-Style and U-Style. These systems are interchangeable.

Fittings

Vertical Fittings Selection Guide

Vertical Bends



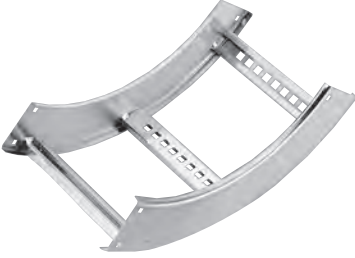

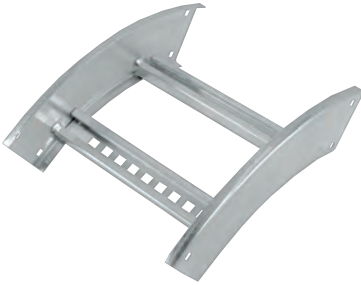



U-Style		H-Style	
	Page A78		Page A79
	90° Outside Bend		90° Outside Bend
	Page A78		Page A79
	90° Inside Bend		90° Inside Bend
	Page A80		Page A81
	60° Outside Bend		60° Outside Bend
	Page A80		Page A81
	60° Inside Bend		60° Inside Bend

T&B aluminum cable tray is composed of two distinct systems H-Style and U-Style. These systems are interchangeable.

Fittings

Vertical Fittings Selection Guide

Vertical Bends (Cont'd)





U-Style		H-Style	
	Page A82		Page A83
	45° Outside Bend		90° Outside Bend
	Page A82		Page A83
	45° Inside Bend		90° Inside Bend
	Page A84		Page A85
	30° Outside Bend		60° Outside Bend
	Page A84		Page A85
	30° Inside Bend		60° Inside Bend

T&B aluminum cable tray is composed of two distinct systems H-Style and U-Style. These systems are interchangeable.



Fittings

Vertical Fittings Selection Guide

Vertical Tees Up / Down

U-Style		H-Style	
			
Page A86	Up	Page A87	Up
			
Page A86	Down	Page A87	Down

Cable Supports

U-Style	H-Style
	
Page A88	Page A89

T&B aluminum cable tray is composed of two distinct systems H-Style and U-Style. These systems are interchangeable.

Fittings

Flexible Coupler

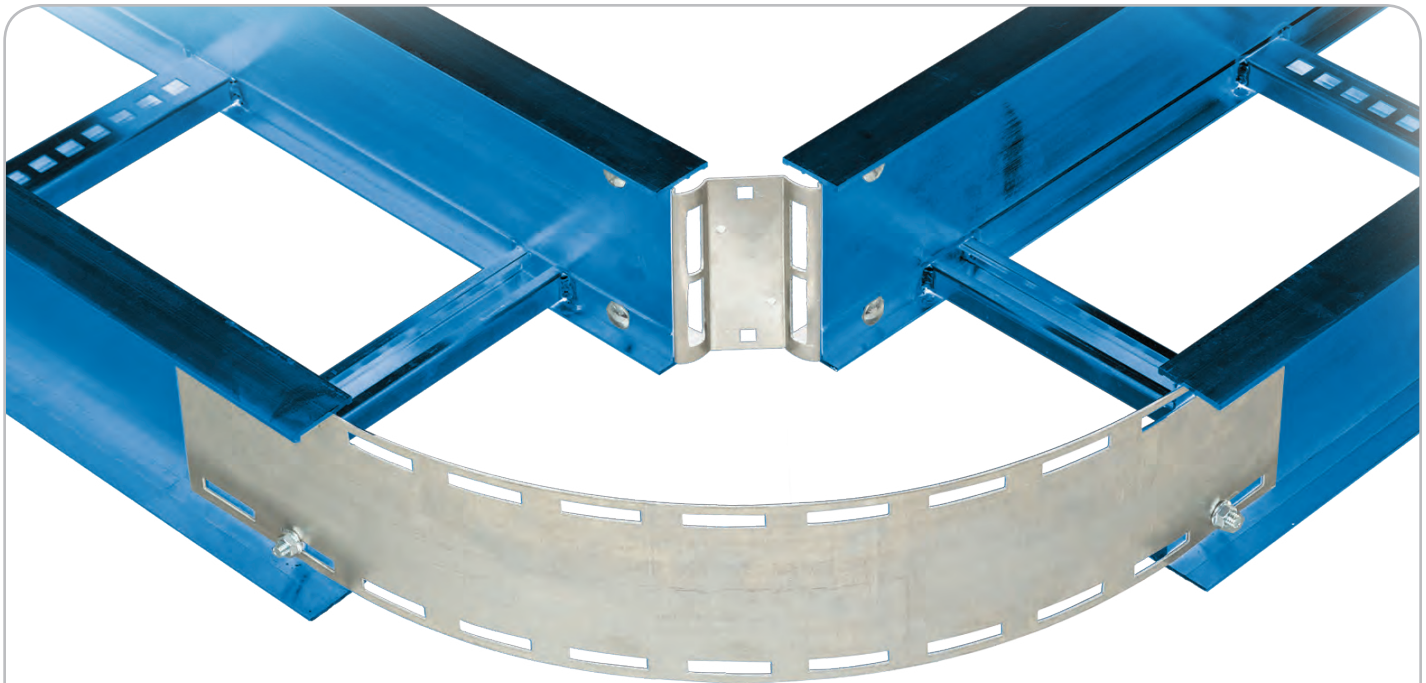
Introducing our new Flexible Coupler

Exterior strap provides accurate radius to meet your cable tray design requirements.

The flexible coupler provides easy installation without measuring and cutting cable tray side rails. Once installed, the coupler allows for electrical continuity, therefore eliminating the requirement for a bonding jumper.

- Formed ribs provide better cable protection
- Fast and easy installation
- Meets the electrical continuity requirement of NEMA VE1 & CSA C22.2 No. 126.1

New

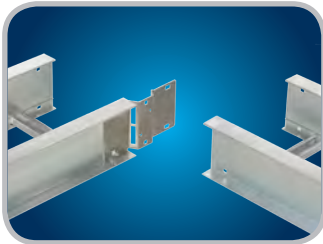


- ✓ Reduces installation time
- ✓ No need for a bonding jumper
- ✓ Flexible and economical alternative to regular AU/AH fitting

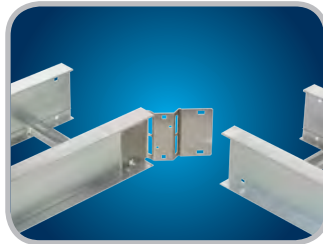


Fittings

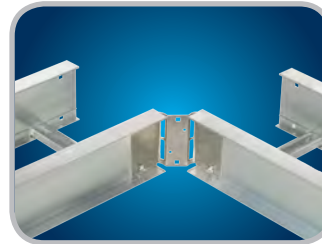
Flexible Coupler



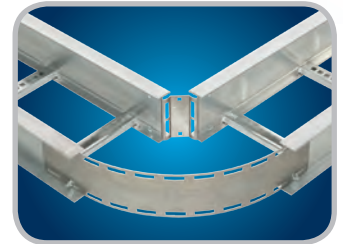
Fasten flexible coupler to tray.



Bend.



Fasten to the other length of cable tray.



Fasten the strap.

Aluminum – Flexible coupler



Cat. No.	Material	Side Rail Height (in.)	Tray Width (in.)
ABW-(*)06HBP	Aluminum	4 5 6 7	06
ABW-(*)09HBP			09
ABW-(*)12HBP			12
ABW-(*)18HBP			18
ABW-(*)24HBP			24
ABW-(*)30HBP			30
ABW-(*)36HBP			36

*Insert side rail height

Optional rung information (Provides additional cable support)

Cat. No.	Material	Tray Width (in.)
ABW-R(*)HBP	Aluminum	06
		09
		12
		18
		24
		30
		36

*Insert tray width

Load rating with optional rung

Tray width	Side Rail Height		
	3 in. (76 mm)	4 and 5 in. (102 and 127 mm)	6 and 7 in. (152 and 178 mm)
36 in. (914 mm)	50 lb./ft. (74 kg/m)	Al: 75 lb./ft. (112 kg/m) Steel: 50 lb./ft. (74 kg/m)	100 lb./ft. (149 kg/m)
30 in. (762 mm)	75 lb./ft. (112 kg/m)	100 lb./ft. (149 kg/m)	100 lb./ft. (149 kg/m)
6 to 24 in. (152 to 610 mm)	100 lb./ft. (149 kg/m)	100 lb./ft. (149 kg/m)	100 lb./ft. (149 kg/m)

Fittings

90° / 60° U-Style Fittings Horizontal Bends

Part Numbering System

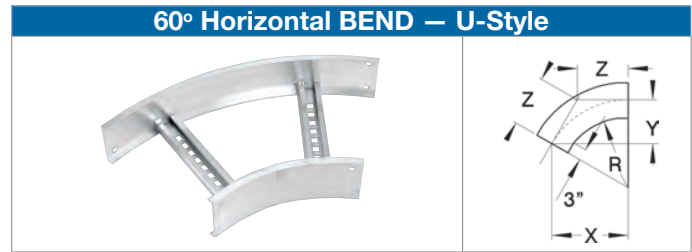
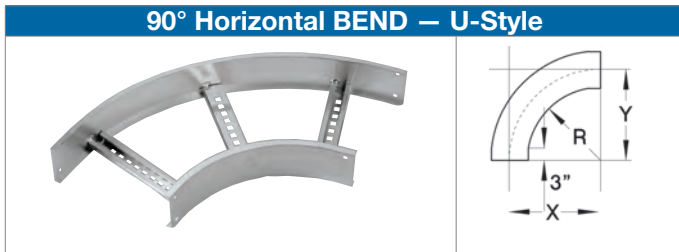
AUF-4-24-L-HB60-12

Fitting material and side rail | Width | Fitting type | Nominal radius

Side rail height | Bottom style | Angle

Selection Guide

Inside Tray Widths: 6, 9, 12, 18, 24, 30, 36, 42
 Angle: 90°, 60°
 Nominal Radius: 12, 24, 36, 48
 Bottom Styles: L- Ladder, V- Ventilated, S- Solid
 Side Rail Heights: 4 in. – 7 in.



Nominal Radius	Width	Cat. No.	Dimensions	
			X	Y
12	6	AUF(t)-06-(*)-HB90-12	15	15
	9	AUF(t)-09-(*)-HB90-12	16-1/2	16-1/2
	12	AUF(t)-12-(*)-HB90-12	18	18
	18	AUF(t)-18-(*)-HB90-12	21	21
	24	AUF(t)-24-(*)-HB90-12	24	24
	30	AUF(t)-30-(*)-HB90-12	27	27
	36	AUF(t)-36-(*)-HB90-12	30	30
	42	AUF(t)-42-(*)-HB90-12	33	33
24	6	AUF(t)-06-(*)-HB90-24	27	27
	9	AUF(t)-09-(*)-HB90-24	28-1/2	28-1/2
	12	AUF(t)-12-(*)-HB90-24	30	30
	18	AUF(t)-18-(*)-HB90-24	33	33
	24	AUF(t)-24-(*)-HB90-24	36	36
	30	AUF(t)-30-(*)-HB90-24	39	39
	36	AUF(t)-36-(*)-HB90-24	42	42
	42	AUF(t)-42-(*)-HB90-24	45	45
36	6	AUF(t)-06-(*)-HB90-36	39	39
	9	AUF(t)-09-(*)-HB90-36	40-1/2	40-1/2
	12	AUF(t)-12-(*)-HB90-36	42	42
	18	AUF(t)-18-(*)-HB90-36	45	45
	24	AUF(t)-24-(*)-HB90-36	48	48
	30	AUF(t)-30-(*)-HB90-36	51	51
	36	AUF(t)-36-(*)-HB90-36	54	54
	42	AUF(t)-42-(*)-HB90-36	57	57
48	6	AUF(t)-06-(*)-HB90-48	51	51
	9	AUF(t)-09-(*)-HB90-48	52-1/2	52-1/2
	12	AUF(t)-12-(*)-HB90-48	54	54
	18	AUF(t)-18-(*)-HB90-48	57	57
	24	AUF(t)-24-(*)-HB90-48	60	60
	30	AUF(t)-30-(*)-HB90-48	63	63
	36	AUF(t)-36-(*)-HB90-48	66	66
	42	AUF(t)-42-(*)-HB90-48	69	69

Nominal Radius	Width	Cat. No.	Dimensions			
			X	Y	Z	
12	6	AUF(t)-06-(*)-HB60-12	14-7/8	8-5/8	9-15/16	
	9	AUF(t)-09-(*)-HB60-12	16-3/16	9-3/8	10-13/16	
	12	AUF(t)-12-(*)-HB60-12	17-1/2	10-1/8	11-11/16	
	18	AUF(t)-18-(*)-HB60-12	20-1/16	11-5/8	13-3/8	
	24	AUF(t)-24-(*)-HB60-12	22-11/16	13-1/8	15-1/8	
	30	AUF(t)-30-(*)-HB60-12	25-5/16	14-5/8	16-7/8	
	36	AUF(t)-36-(*)-HB60-12	27-7/8	16-1/8	18-9/16	
	42	AUF(t)-42-(*)-HB60-12	30-1/2	17-5/8	20-5/16	
	24	6	AUF(t)-06-(*)-HB60-24	25-5/16	14-5/8	16-7/8
		9	AUF(t)-09-(*)-HB60-24	26-9/16	15-3/8	17-3/4
		12	AUF(t)-12-(*)-HB60-24	27-7/8	16-1/8	18-9/16
		18	AUF(t)-18-(*)-HB60-24	30-1/2	17-5/8	20-5/16
24		AUF(t)-24-(*)-HB60-24	33-1/16	19-1/8	22-1/16	
30		AUF(t)-30-(*)-HB60-24	35-11/16	20-5/8	23-13/16	
36		AUF(t)-36-(*)-HB60-24	38-1/4	22-1/8	25-1/2	
42		AUF(t)-42-(*)-HB60-24	40-7/8	23-5/8	27-1/4	
36		6	AUF(t)-06-(*)-HB60-36	35-11/16	20-5/8	23-13/16
		9	AUF(t)-09-(*)-HB60-36	37	21-3/8	24-5/8
		12	AUF(t)-12-(*)-HB60-36	38-1/4	22-1/8	25-1/2
		18	AUF(t)-18-(*)-HB60-36	40-7/8	23-5/8	27-2/8
	24	AUF(t)-24-(*)-HB60-36	43-1/2	25-1/8	29	
	30	AUF(t)-30-(*)-HB60-36	46-1/16	26-5/8	30-11/16	
	36	AUF(t)-36-(*)-HB60-36	48-11/16	28-1/8	32-7/16	
	42	AUF(t)-42-(*)-HB60-36	51-1/4	29-5/8	34-3/16	
	48	6	AUF(t)-06-(*)-HB60-48	46-1/16	26-5/8	30-11/16
		9	AUF(t)-09-(*)-HB60-48	47-3/8	27-3/8	31-9/16
		12	AUF(t)-12-(*)-HB60-48	48-11/16	28-1/8	32-7/16
		18	AUF(t)-18-(*)-HB60-48	51-4/16	29-5/8	34-3/16
24		AUF(t)-24-(*)-HB60-48	53-7/8	31-1/8	35-15/16	
30		AUF(t)-30-(*)-HB60-48	56-7/16	32-5/8	37-5/8	
36		AUF(t)-36-(*)-HB60-48	59-1/16	34-1/8	39-3/8	
42		AUF(t)-42-(*)-HB60-48	61-11/16	35-5/8	41-1/8	

(†) Insert side rail height. (*) Insert bottom style to complete Cat. No. Includes 1 pair of splice plates with hardware.
 T&B aluminum cable tray is composed of two distinct systems H-Style and U-Style. These systems are interchangeable.

Fittings

90° / 60° H-Style Fittings Horizontal Bends

Part Numbering System

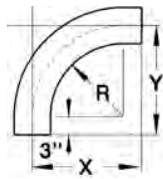
AHF-4-24-L-HB60-12

Fitting material and side rail | Width | Fitting type | Nominal radius
Side rail height | Bottom style | Angle

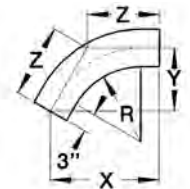
Selection Guide

Inside Tray Widths: 6, 9, 12, 18, 24, 30, 36, 42
Angle: 90°, 60°
Nominal Radius: 12, 24, 36, 48
Bottom Styles: L- Ladder, V- Ventilated, S- Solid
Side Rail Heights: 4 in. – 7 in.

90° Horizontal BEND – H-Style



60° Horizontal BEND – H-Style



Nominal		Cat. No.	Dimensions	
Radius	Width		X	Y
12	6	AHF(†)-06-(*)-HB90-12	18	18
	9	AHF(†)-09-(*)-HB90-12	19-1/2	19-1/2
	12	AHF(†)-12-(*)-HB90-12	21	21
	18	AHF(†)-18-(*)-HB90-12	24	24
	24	AHF(†)-24-(*)-HB90-12	27	27
	30	AHF(†)-30-(*)-HB90-12	30	30
	36	AHF(†)-36-(*)-HB90-12	33	33
24	42	AHF(†)-42-(*)-HB90-12	36	36
	6	AHF(†)-06-(*)-HB90-24	30	30
	9	AHF(†)-09-(*)-HB90-24	31-1/2	31-1/2
	12	AHF(†)-12-(*)-HB90-24	33	33
	18	AHF(†)-18-(*)-HB90-24	36	36
	24	AHF(†)-24-(*)-HB90-24	39	39
	30	AHF(†)-30-(*)-HB90-24	42	42
36	36	AHF(†)-36-(*)-HB90-24	45	45
	42	AHF(†)-42-(*)-HB90-24	48	48
	6	AHF(†)-06-(*)-HB90-36	42	42
	9	AHF(†)-09-(*)-HB90-36	43-1/2	43-1/2
	12	AHF(†)-12-(*)-HB90-36	45	45
	18	AHF(†)-18-(*)-HB90-36	48	48
	24	AHF(†)-24-(*)-HB90-36	51	51
48	30	AHF(†)-30-(*)-HB90-36	54	54
	36	AHF(†)-36-(*)-HB90-36	57	57
	42	AHF(†)-42-(*)-HB90-36	60	60
	6	AHF(†)-06-(*)-HB90-48	54	54
	9	AHF(†)-09-(*)-HB90-48	55-1/2	55-1/2
	12	AHF(†)-12-(*)-HB90-48	57	57
	18	AHF(†)-18-(*)-HB90-48	60	60
24	AHF(†)-24-(*)-HB90-48	63	63	
30	AHF(†)-30-(*)-HB90-48	66	66	
36	AHF(†)-36-(*)-HB90-48	69	69	
42	AHF(†)-42-(*)-HB90-48	72	72	

Nominal		Cat. No.	Dimensions		
Radius	Width		X	Y	Z
12	6	AHF(†)-06-(*)-HB60-12	17-1/2	10-1/8	11-11/16
	9	AHF(†)-09-(*)-HB60-12	18-13/16	10-7/8	12-1/2
	12	AHF(†)-12-(*)-HB60-12	20-1/16	11-5/8	13-3/8
	18	AHF(†)-18-(*)-HB60-12	22-11/16	13-1/8	15-1/8
	24	AHF(†)-24-(*)-HB60-12	25-5/16	14-5/8	16-7/8
	30	AHF(†)-30-(*)-HB60-12	27-7/8	16-1/8	18-9/16
	36	AHF(†)-36-(*)-HB60-12	30-1/2	17-5/8	20-5/16
24	42	AHF(†)-42-(*)-HB60-12	33-1/16	19-1/8	22-1/16
	6	AHF(†)-06-(*)-HB60-24	27-7/8	16-1/8	18-9/16
	9	AHF(†)-09-(*)-HB60-24	29-3/16	16-7/8	19-7/16
	12	AHF(†)-12-(*)-HB60-24	30-1/2	17-5/8	20-5/16
	18	AHF(†)-18-(*)-HB60-24	33-1/16	19-1/8	22-1/16
	24	AHF(†)-24-(*)-HB60-24	35-11/16	20-5/8	23-13/16
	30	AHF(†)-30-(*)-HB60-24	38-1/4	22-1/8	25-1/2
36	36	AHF(†)-36-(*)-HB60-24	40-7/8	23-5/8	27-1/4
	42	AHF(†)-42-(*)-HB60-24	43-7/16	25-1/8	29-5/16
	6	AHF(†)-06-(*)-HB60-36	38-1/4	22-1/8	25-1/2
	9	AHF(†)-09-(*)-HB60-36	39-9/16	22-7/8	26-3/8
	12	AHF(†)-12-(*)-HB60-36	40-7/8	23-5/8	27-1/4
	18	AHF(†)-18-(*)-HB60-36	43-1/2	25-1/8	29
	24	AHF(†)-24-(*)-HB60-36	46-1/16	26-5/8	30-11/16
48	30	AHF(†)-30-(*)-HB60-36	48-11/16	28-1/8	32-7/16
	36	AHF(†)-36-(*)-HB60-36	51-1/4	29-5/8	34-3/16
	42	AHF(†)-42-(*)-HB60-36	53-7/8	31-1/8	35-15/16
	6	AHF(†)-06-(*)-HB60-48	48-11/16	28-1/8	32-7/16
	9	AHF(†)-09-(*)-HB60-48	49-15/16	28-7/8	33-5/16
	12	AHF(†)-12-(*)-HB60-48	51-1/4	29-5/8	34-3/16
	18	AHF(†)-18-(*)-HB60-48	53-7/8	31-1/8	35-15/16
24	AHF(†)-24-(*)-HB60-48	56-7/16	32-5/8	37-5/8	
30	AHF(†)-30-(*)-HB60-48	59-1/16	34-1/8	39-3/8	
36	AHF(†)-36-(*)-HB60-48	61-11/16	35-5/8	41-1/8	
42	AHF(†)-42-(*)-HB60-48	64-1/4	37-1/8	42-13/16	

(†) Insert side rail height. (*) Insert bottom style to complete CAT. NO. Includes 1 pair of splice plates with hardware.
T&B aluminum cable tray is composed of two distinct systems H-Style and U-Style. These systems are interchangeable.

Fittings

45° / 30° U-Style Fittings Horizontal Bends

Part Numbering System

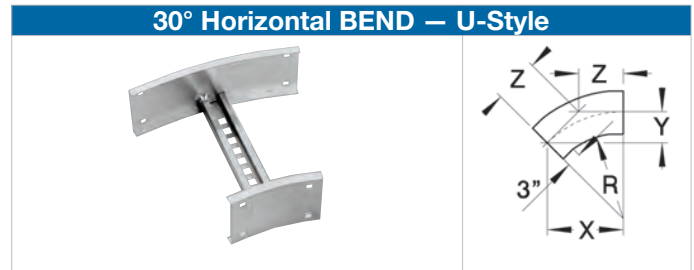
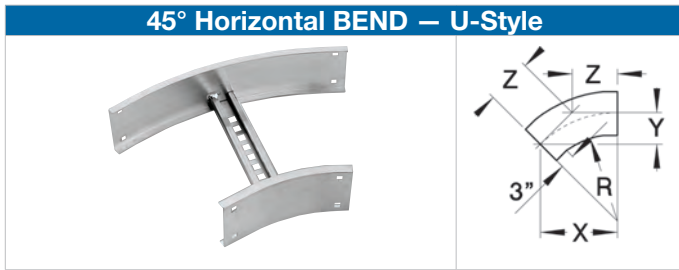
AUF-4-24-L-HB45-12

Fitting material and side rail | Width | Fitting type | Nominal radius

Side rail height | Bottom style | Angle

Selection Guide

Inside Tray Widths: 6, 9, 12, 18, 24, 30, 36, 42
 Angle: 45°, 30°
 Nominal Radius: 12, 24, 36, 48
 Bottom Styles: L- Ladder, V- Ventilated, S- Solid
 Side Rail Heights: 4 in. – 7 in.



Nominal Radius	Width	Cat. No.	Dimensions		
			X	Y	Z
12	6	AUF(†)-06-(*)-HB45-12	13-5/8	5-5/8	8
	9	AUF(†)-09-(*)-HB45-12	14-11/16	6-1/16	8-9/16
	12	AUF(†)-12-(*)-HB45-12	15-3/4	6-12	9-3/16
	18	AUF(†)-18-(*)-HB45-12	17-7/8	7-3/8	10-7/16
	24	AUF(†)-24-(*)-HB45-12	20	8-1/4	11-11/16
	30	AUF(†)-30-(*)-HB45-12	22-1/16	9-1/8	12-15/16
	36	AUF(†)-36-(*)-HB45-12	24-3/16	10	14-3/16
24	42	AUF(†)-42-(*)-HB45-12	26-5/16	10-15/16	15-7/16
	6	AUF(†)-06-(*)-HB45-24	22-1/16	9-1/8	12-15/16
	9	AUF(†)-09-(*)-HB45-24	23-1/8	9-9/16	13-9/16
	12	AUF(†)-12-(*)-HB45-24	24-3/16	10	14-3/16
	18	AUF(†)-18-(*)-HB45-24	26-5/16	10-15/16	15-7/16
	24	AUF(†)-24-(*)-HB45-24	28-7/16	11-13/16	16-11/16
	30	AUF(†)-30-(*)-HB45-24	30-9/16	12-11/16	17-15/16
36	36	AUF(†)-36-(*)-HB45-24	32-11/16	13-9/16	19-1/8
	42	AUF(†)-42-(*)-HB45-24	34-13/16	14-7/8	20-3/8
	6	AUF(†)-06-(*)-HB45-36	30-9/16	12-11/16	17-15/16
	9	AUF(†)-09-(*)-HB45-36	31-5/8	13-1/8	18-9/16
	12	AUF(†)-12-(*)-HB45-36	32-11/16	13-9/16	19-1/8
	18	AUF(†)-18-(*)-HB45-36	34-13/16	14-7/16	20-3/8
	24	AUF(†)-24-(*)-HB45-36	36-15/16	15-5/16	21-5/8
48	30	AUF(†)-30-(*)-HB45-36	39-1/16	16-3/16	22-7/8
	36	AUF(†)-36-(*)-HB45-36	41-3/16	17-1/16	24-1/8
	42	AUF(†)-42-(*)-HB45-36	43-5/16	17-15/16	25-3/8
	6	AUF(†)-06-(*)-HB45-48	39-1/16	16-3/16	22-7/8
	9	AUF(†)-09-(*)-HB45-48	40-1/8	16-3/8	23-1/2
	12	AUF(†)-12-(*)-HB45-48	41-3/16	17-1/16	24-1/8
	18	AUF(†)-18-(*)-HB45-48	43-5/16	17-15/16	25-3/8
48	24	AUF(†)-24-(*)-HB45-48	45-7/16	18-13/16	26-5/8
	30	AUF(†)-30-(*)-HB45-48	47-9/16	19-11/16	27-7/8
	36	AUF(†)-36-(*)-HB45-48	49-11/16	20-9/16	29-1/8
	42	AUF(†)-42-(*)-HB45-48	51-13/16	21-7/16	30-5/16

Nominal Radius	Width	Cat. No.	Dimensions		
			X	Y	Z
12	6	AUF(†)-06-(*)-HB30-12	11-5/8	3-18	6-3/16
	9	AUF(†)-09-(*)-HB30-12	12-3/8	3-5/16	6-5/8
	12	AUF(†)-12-(*)-HB30-12	13-1/2	3-1/2	7
	18	AUF(†)-18-(*)-HB30-12	14-5/8	3-15/16	7-13/16
	24	AUF(†)-24-(*)-HB30-12	16-1/8	4-5/16	8-5/8
	30	AUF(†)-30-(*)-HB30-12	17-5/8	4-11/16	9-7/16
	36	AUF(†)-36-(*)-HB30-12	19-1/8	5-1/8	10-1/4
24	42	AUF(†)-42-(*)-HB30-12	20-5/8	5-1/2	11-1/16
	6	AUF(†)-06-(*)-HB30-24	17-5/8	4-11/16	9-7/16
	9	AUF(†)-09-(*)-HB30-24	18-3/8	4-15/16	9-13/16
	12	AUF(†)-12-(*)-HB30-24	19-1/8	5-2/16	10-4/16
	18	AUF(†)-18-(*)-HB30-24	20-5/8	5-8/16	11-1/16
	24	AUF(†)-24-(*)-HB30-24	22-1/8	5-15/16	11-13/16
	30	AUF(†)-30-(*)-HB30-24	23-5/8	6-5/16	12-10/16
36	36	AUF(†)-36-(*)-HB30-24	25-1/8	6-12/16	13-7/16
	42	AUF(†)-42-(*)-HB30-24	26-5/8	7-1/8	14-1/4
	6	AUF(†)-06-(*)-HB30-36	23-5/8	6-5/16	12-5/8
	9	AUF(†)-09-(*)-HB30-36	24-3/8	6-1/2	13-1/16
	12	AUF(†)-12-(*)-HB30-36	25-1/8	6-3/4	13-7/16
	18	AUF(†)-18-(*)-HB30-36	26-5/8	7-1/4	14-1/4
	24	AUF(†)-24-(*)-HB30-36	28-1/8	7-1/2	15-1/16
48	30	AUF(†)-30-(*)-HB30-36	29-5/8	7-15/16	15-7/8
	36	AUF(†)-36-(*)-HB30-36	31-1/8	8-5/16	16-11/16
	42	AUF(†)-42-(*)-HB30-36	32-5/8	8-3/4	17-1/2
	6	AUF(†)-06-(*)-HB30-48	29-5/8	7-15/16	15-7/8
	9	AUF(†)-09-(*)-HB30-48	30-3/8	8-1/8	16-1/4
	12	AUF(†)-12-(*)-HB30-48	31-1/8	8-5/16	16-11/16
	18	AUF(†)-18-(*)-HB30-48	32-5/8	8-3/4	17-1/2
48	24	AUF(†)-24-(*)-HB30-48	34-1/8	9-1/8	18-1/4
	30	AUF(†)-30-(*)-HB30-48	35-5/8	9-9/16	19-1/16
	36	AUF(†)-36-(*)-HB30-48	37-1/8	9-15/16	19-7/8
	42	AUF(†)-42-(*)-HB30-48	38-5/8	10-5/16	20-11/16

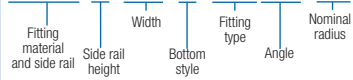
(†) Insert side rail height. (*) Insert bottom style to complete CAT. NO. Includes 1 pair of splice plates with hardware.
 T&B aluminum cable tray is composed of two distinct systems H-Style and U-Style. These systems are interchangeable.

Fittings

45° / 30° H-Style Fittings Horizontal Bends

Part Numbering System

AHF-4-24-L-HB45-12



Selection Guide

Inside Tray Widths: 6, 9, 12, 18, 24, 30, 36, 42
 Angle: 45°, 30°
 Nominal Radius: 12, 24, 36, 48
 Bottom Styles: L- Ladder, V- Ventilated, S- Solid
 Side rail Height: 4 in. – 7 in.

45° Horizontal BEND – H-Style



30° Horizontal BEND – H-Style



Nominal		Cat. No.	Dimensions		
Radius	Width		X	Y	Z
12	6	AHF(†)-06-(*)-HB45-12	15-3/4	6-1/2	9-3/16
	9	AHF(†)-09-(*)-HB45-12	16-13/16	6-15/16	9-13/16
	12	AHF(†)-12-(*)-HB45-12	17-7/8	7-3/8	10-7/16
	18	AHF(†)-18-(*)-HB45-12	20	8-1/4	11-11/16
	24	AHF(†)-24-(*)-HB45-12	22-1/16	9-1/8	12-15/16
	30	AHF(†)-30-(*)-HB45-12	24-3/16	10	14-3/16
	36	AHF(†)-36-(*)-HB45-12	26-5/16	10-15/16	15-7/16
24	42	AHF(†)-42-(*)-HB45-12	28-7/16	11-7/8	16-11/16
	6	AHF(†)-06-(*)-HB45-24	24-3/16	10	14-3/16
	9	AHF(†)-09-(*)-HB45-24	25-1/4	10-1/2	14-13/16
	12	AHF(†)-12-(*)-HB45-24	26-5/16	10-15/16	15-7/16
	18	AHF(†)-18-(*)-HB45-24	28-7/16	11-13/16	16-11/16
	24	AHF(†)-24-(*)-HB45-24	30-9/16	12-11/16	17-15/16
	30	AHF(†)-30-(*)-HB45-24	32-11/16	13-9/16	19-1/8
36	36	AHF(†)-36-(*)-HB45-24	34-13/16	14-7/8	20-3/8
	42	AHF(†)-42-(*)-HB45-24	36-15/16	15-3/4	21-5/8
	6	AHF(†)-06-(*)-HB45-36	32-11/16	13-9/16	19-1/8
	9	AHF(†)-09-(*)-HB45-36	33-3/4	14	19-3/4
	12	AHF(†)-12-(*)-HB45-36	34-13/16	14-7/16	20-3/8
	18	AHF(†)-18-(*)-HB45-36	36-15/16	15-5/16	21-5/8
	24	AHF(†)-24-(*)-HB45-36	39-1/16	16-3/16	22-7/8
48	30	AHF(†)-30-(*)-HB45-36	41-3/16	17-1/16	24-1/8
	36	AHF(†)-36-(*)-HB45-36	43-5/16	17-15/16	25-3/8
	42	AHF(†)-42-(*)-HB45-36	45-7/16	18-13/16	26-5/8
	6	AHF(†)-06-(*)-HB45-48	41-3/16	17-1/16	24-1/8
	9	AHF(†)-09-(*)-HB45-48	42-1/4	17-1/2	24-3/4
	12	AHF(†)-12-(*)-HB45-48	43-5/16	17-15/16	25-3/8
	18	AHF(†)-18-(*)-HB45-48	45-7/16	18-13/16	26-5/8
48	24	AHF(†)-24-(*)-HB45-48	47-9/16	19-11/16	27-3/4
	30	AHF(†)-30-(*)-HB45-48	49-11/16	20-9/16	29-1/8
	36	AHF(†)-36-(*)-HB45-48	51-13/16	21-7/16	30-5/16
	42	AHF(†)-42-(*)-HB45-48	53-15/16	22-5/16	31-9/16

Nominal		Cat. No.	Dimensions		
Radius	Width		X	Y	Z
12	6	AHF(†)-06-(*)-HB30-12	13-1/8	3-1/2	7
	9	AHF(†)-09-(*)-HB30-12	13-7/8	3-11/16	7-7/16
	12	AHF(†)-12-(*)-HB30-12	14-5/8	3-15/16	7-13/16
	18	AHF(†)-18-(*)-HB30-12	16-1/8	4-5/16	8-5/8
	24	AHF(†)-24-(*)-HB30-12	17-5/8	4-11/16	9-7/8
	30	AHF(†)-30-(*)-HB30-12	19-1/8	5-1/8	10-1/4
	36	AHF(†)-36-(*)-HB30-12	20-5/8	5-1/2	11-1/16
24	42	AHF(†)-42-(*)-HB30-12	22-1/8	5-7/8	12-5/16
	6	AHF(†)-06-(*)-HB30-24	19-1/8	5-1/8	10-1/4
	9	AHF(†)-09-(*)-HB30-24	19-7/8	5-5/16	10-5/8
	12	AHF(†)-12-(*)-HB30-24	20-5/8	5-1/2	11-1/16
	18	AHF(†)-18-(*)-HB30-24	22-1/8	5-5/16	11-13/16
	24	AHF(†)-24-(*)-HB30-24	23-5/8	6-5/16	12-5/8
	30	AHF(†)-30-(*)-HB30-24	25-1/8	6-3/4	13-7/16
36	36	AHF(†)-36-(*)-HB30-24	26-5/8	7-1/8	14-1/4
	42	AHF(†)-42-(*)-HB30-24	28-1/8	7-1/2	15-1/16
	6	AHF(†)-06-(*)-HB30-36	25-1/8	6-3/4	13-7/16
	9	AHF(†)-09-(*)-HB30-36	25-7/8	6-15/16	13-7/8
	12	AHF(†)-12-(*)-HB30-36	26-5/8	7-1/8	14-1/4
	18	AHF(†)-18-(*)-HB30-36	28-1/8	7-1/2	15-1/16
	24	AHF(†)-24-(*)-HB30-36	29-5/8	7-15/16	15-7/8
48	30	AHF(†)-30-(*)-HB30-36	31-1/8	8-5/16	16-11/16
	36	AHF(†)-36-(*)-HB30-36	32-5/8	8-3/4	17-1/2
	42	AHF(†)-42-(*)-HB30-36	34-1/8	9-1/8	18-5/16
	6	AHF(†)-06-(*)-HB30-48	31-1/8	8-5/16	16-11/16
	9	AHF(†)-09-(*)-HB30-48	31-7/8	8-9/16	17-1/16
	12	AHF(†)-12-(*)-HB30-48	32-5/8	8-3/4	17-1/2
	18	AHF(†)-18-(*)-HB30-48	34-1/8	9-1/8	18-1/4
48	24	AHF(†)-24-(*)-HB30-48	35-5/8	9-9/16	19-1/16
	30	AHF(†)-30-(*)-HB30-48	37-1/8	9-15/16	19-7/8
	36	AHF(†)-36-(*)-HB30-48	38-5/8	10-5/16	20-11/16
	42	AHF(†)-42-(*)-HB30-48	40-1/8	10-11/16	21-1/2

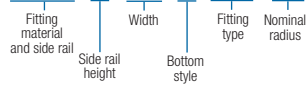
(†) Insert side rail height. (*) Insert bottom style to complete CAT. NO. Includes 1 pair of splice plates with hardware.
 T&B aluminum cable tray is composed of two distinct systems H-Style and U-Style. These systems are interchangeable.

Fittings

U-Style Fittings Horizontal Tees, Crosses

Part Numbering System

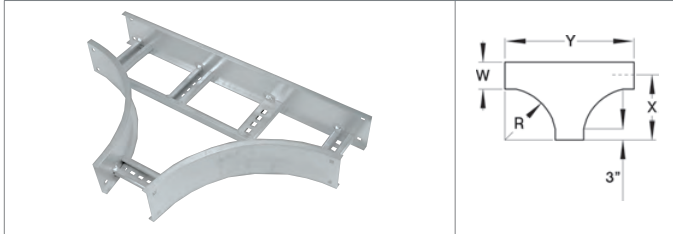
AUF-5-06-L-HT-12



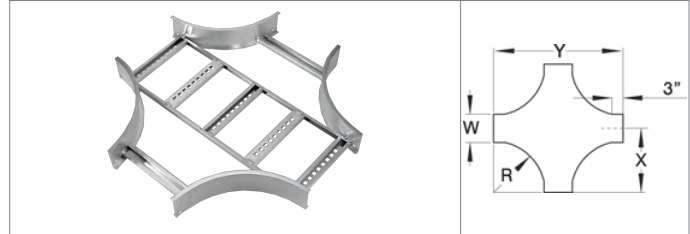
Selection Guide

Inside Tray Widths: 6, 9, 12, 18, 24, 30, 36, 42
 Nominal Radius: 12, 24, 36, 48
 Bottom Styles: L- Ladder, V- Ventilated, S- Solid
 Side Rail Heights: 4 in. – 7 in.

Horizontal TEE – U-Style



Horizontal CROSS – U-Style



Nominal Radius	Width	Cat. No.	Dimensions	
			X	Y
12	6	AUF(t)-06-(*)-HT12	15	30
	9	AUF(t)-09-(*)-HT12	16-1/2	33
	12	AUF(t)-12-(*)-HT12	18	36
	18	AUF(t)-18-(*)-HT12	21	42
	24	AUF(t)-24-(*)-HT12	24	48
	30	AUF(t)-30-(*)-HT12	27	54
	36	AUF(t)-36-(*)-HT12	30	60
24	6	AUF(t)-06-(*)-HT24	27	54
	9	AUF(t)-09-(*)-HT24	28-1/2	57
	12	AUF(t)-12-(*)-HT24	30	60
	18	AUF(t)-18-(*)-HT24	33	66
	24	AUF(t)-24-(*)-HT24	36	72
	30	AUF(t)-30-(*)-HT24	39	78
	36	AUF(t)-36-(*)-HT24	42	84
36	6	AUF(t)-06-(*)-HT36	39	78
	9	AUF(t)-09-(*)-HT36	40-1/2	81
	12	AUF(t)-12-(*)-HT36	42	84
	18	AUF(t)-18-(*)-HT36	45	90
	24	AUF(t)-24-(*)-HT36	48	96
	30	AUF(t)-30-(*)-HT36	51	102
	36	AUF(t)-36-(*)-HT36	54	108
48	6	AUF(t)-06-(*)-HT48	51	102
	9	AUF(t)-09-(*)-HT48	52-1/2	105
	12	AUF(t)-12-(*)-HT48	54	108
	18	AUF(t)-18-(*)-HT48	57	114
	24	AUF(t)-24-(*)-HT48	60	120
	30	AUF(t)-30-(*)-HT48	63	126
	36	AUF(t)-36-(*)-HT48	66	132

Nominal Radius	Width	Cat. No.	Dimensions	
			X	Y
12	6	AUF(t)-06-(*)-HX12	15	30
	9	AUF(t)-09-(*)-HX12	16-1/2	33
	12	AUF(t)-12-(*)-HX12	18	36
	18	AUF(t)-18-(*)-HX12	21	42
	24	AUF(t)-24-(*)-HX12	24	48
	30	AUF(t)-30-(*)-HX12	27	54
	36	AUF(t)-36-(*)-HX12	30	60
24	6	AUF(t)-06-(*)-HX24	27	54
	9	AUF(t)-09-(*)-HX24	28-1/2	57
	12	AUF(t)-12-(*)-HX24	30	60
	18	AUF(t)-18-(*)-HX24	33	66
	24	AUF(t)-24-(*)-HX24	36	72
	30	AUF(t)-30-(*)-HX24	39	78
	36	AUF(t)-36-(*)-HX24	42	84
36	6	AUF(t)-06-(*)-HX36	39	78
	9	AUF(t)-09-(*)-HX36	40-1/2	81
	12	AUF(t)-12-(*)-HX36	42	84
	18	AUF(t)-18-(*)-HX36	45	90
	24	AUF(t)-24-(*)-HX36	48	96
	30 [‡]	AUF(t)-30-(*)-HX36	51	102
	36 [‡]	AUF(t)-36-(*)-HX36	54	108
48 [‡]	6	AUF(t)-06-(*)-HX48	51	102
	9	AUF(t)-09-(*)-HX48	52-1/2	105
	12	AUF(t)-12-(*)-HX48	54	108
	18	AUF(t)-18-(*)-HX48	57	114
	24	AUF(t)-24-(*)-HX48	60	120
	30	AUF(t)-30-(*)-HX48	63	126
	36	AUF(t)-36-(*)-HX48	66	132

(†) Insert side rail height. (*) Insert bottom style to complete CAT. NO. Tees include 2 pairs/crosses include 3 pairs of splice plates with hardware.

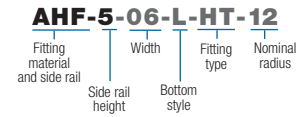
T&B aluminum cable tray is composed of two distinct systems H-Style and U-Style. These systems are interchangeable.

‡ Shipped with SSW-3/8HXHWK hardware kit.

Fittings

H-Style Fittings Horizontal Tees, Crosses

Part Numbering System



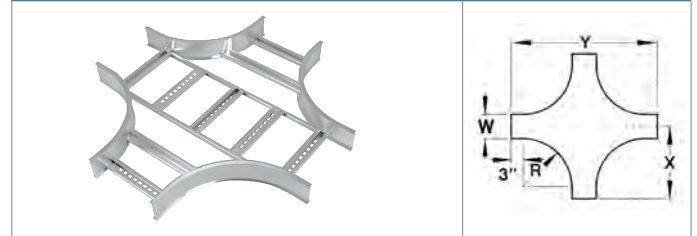
Selection Guide

Inside Tray Widths: 6, 9, 12, 18, 24, 30, 36, 42
 Nominal Radius: 12, 24, 36, 48
 Bottom Styles: L– Ladder, V– Ventilated, S– Solid
 Side Rail Heights: 4 in. – 7 in.

Horizontal TEE – H-Style



Horizontal CROSS – H-Style



Nominal Radius	Width	Cat. No.	Dimensions	
			X	Y
12	6	AHF(†)-06-(*)-HT12	18	36
	9	AHF(†)-09-(*)-HT12	19-1/2	39
	12	AHF(†)-12-(*)-HT12	21	42
	18	AHF(†)-18-(*)-HT12	24	48
	24	AHF(†)-24-(*)-HT12	27	54
	30	AHF(†)-30-(*)-HT12	30	60
	36	AHF(†)-36-(*)-HT12	33	66
24	42	AHF(†)-42-(*)-HT12	36	72
	6	AHF(†)-06-(*)-HT24	30	60
	9	AHF(†)-09-(*)-HT24	31-1/2	63
	12	AHF(†)-12-(*)-HT24	33	66
	18	AHF(†)-18-(*)-HT24	36	72
	24	AHF(†)-24-(*)-HT24	39	78
	30	AHF(†)-30-(*)-HT24	42	84
36	36	AHF(†)-36-(*)-HT24	45	90
	42	AHF(†)-42-(*)-HT24	48	96
	6	AHF(†)-06-(*)-HT36	42	84
	9	AHF(†)-09-(*)-HT36	43-1/2	87
	12	AHF(†)-12-(*)-HT36	45	90
	18	AHF(†)-18-(*)-HT36	48	96
	24	AHF(†)-24-(*)-HT36	51	102
48	30	AHF(†)-30-(*)-HT36	54	108
	36	AHF(†)-36-(*)-HT36	57	114
	42	AHF(†)-42-(*)-HT36	60	120
	6	AHF(†)-06-(*)-HT48	54	108
	9	AHF(†)-09-(*)-HT48	55-1/2	111
	12	AHF(†)-12-(*)-HT48	57	114
	18	AHF(†)-18-(*)-HT48	60	120
48	24	AHF(†)-24-(*)-HT48	63	126
	30	AHF(†)-30-(*)-HT48	66	132
	36	AHF(†)-36-(*)-HT48	69	138
	42	AHF(†)-42-(*)-HT48	72	144

Nominal Radius	Width	Cat. No.	Dimensions	
			X	Y
12	6	AHF(†)-06-(*)-HX12	18	36
	9	AHF(†)-09-(*)-HX12	19-1/2	39
	12	AHF(†)-12-(*)-HX12	21	42
	18	AHF(†)-18-(*)-HX12	24	48
	24	AHF(†)-24-(*)-HX12	27	54
	30	AHF(†)-30-(*)-HX12	30	60
	36	AHF(†)-36-(*)-HX12	33	66
24	42	AHF(†)-42-(*)-HX12	36	72
	6	AHF(†)-06-(*)-HX24	30	60
	9	AHF(†)-09-(*)-HX24	31-1/2	63
	12	AHF(†)-12-(*)-HX24	33	66
	18	AHF(†)-18-(*)-HX24	36	72
	24	AHF(†)-24-(*)-HX24	39	78
	30	AHF(†)-30-(*)-HX24	42	84
36	36	AHF(†)-36-(*)-HX24	45	90
	42	AHF(†)-42-(*)-HX24	48	96
	6	AHF(†)-06-(*)-HX36	42	84
	9	AHF(†)-09-(*)-HX36	43-1/2	87
	12	AHF(†)-12-(*)-HX36	45	90
	18	AHF(†)-18-(*)-HX36	48	96
	24	AHF(†)-24-(*)-HX36	51	102
48	30	AHF(†)-30-(*)-HX36	54	108
	36	AHF(†)-36-(*)-HX36	57	114
	42	AHF(†)-42-(*)-HX36	60	120
	6	AHF(†)-06-(*)-HX48	54	108
	9	AHF(†)-09-(*)-HX48	55-1/2	111
	12	AHF(†)-12-(*)-HX48	57	114
	18	AHF(†)-18-(*)-HX48	60	120
48	24	AHF(†)-24-(*)-HX48	63	126
	30	AHF(†)-30-(*)-HX48	66	132
	36	AHF(†)-36-(*)-HX48	69	138
	42	AHF(†)-42-(*)-HX48	72	144

(†) Insert side rail height. (*) Insert bottom style to complete CAT. NO. Tees include 2 pairs/crosses include 3 pairs of splice plates with hardware.

T&B aluminum cable tray is composed of two distinct systems H-Style and U-Style. These systems are interchangeable.

‡ Shipped with SSW-3/8HXHWK hardware kit.

Fittings

U-Style Fittings Horizontal Reducing Tees

Part Numbering System

AUF-7-36-24-L-RT-12

Fitting material and side rail | Width 1 | Bottom style | Nominal radius
 Side rail height | Width 2 | Fitting type

Selection Guide

Tray Widths W1: 42, 36, 30, 24, 18, 12, 9
 Tray Widths W2: 36, 30, 24, 18, 12, 9, 6
 Nominal Radius: 12, 24, 36, 48
 Bottom Styles: L- Ladder, V- Ventilated, S- Solid
 Side Rail Heights: 4 in. – 7 in.



Widths		Cat. No.	(+) 12 in. Nominal Radius		(+) 24 in. Nominal Radius		(+) 36 in. Nominal Radius		(+) 48 in. Nominal Radius	
W1	W2		X	Y	X	Y	X	Y	X	Y
42	36	AUF(+)-4236-(*)-RT(+)	33	60	45	84	57	108	69	132
	30	AUF(+)-4230-(*)-RT(+)	33	54	45	78	57	102	69	126
	24	AUF(+)-4224-(*)-RT(+)	33	48	45	72	57	96	69	120
	18	AUF(+)-4218-(*)-RT(+)	33	42	45	66	57	90	69	114
	12	AUF(+)-4212-(*)-RT(+)	33	36	45	60	57	84	69	108
	9	AUF(+)-4209-(*)-RT(+)	33	33	45	57	57	81	69	105
	6	AUF(+)-4206-(*)-RT(+)	33	30	45	54	57	78	69	102
36	30	AUF(+)-3630-(*)-RT(+)	30	54	42	78	54	102	66	126
	24	AUF(+)-3624-(*)-RT(+)	30	48	42	72	54	96	66	120
	18	AUF(+)-3618-(*)-RT(+)	30	42	42	66	54	90	66	114
	12	AUF(+)-3612-(*)-RT(+)	30	36	42	60	54	84	66	108
	9	AUF(+)-3609-(*)-RT(+)	30	33	42	57	54	81	66	105
	6	AUF(+)-3606-(*)-RT(+)	30	30	42	54	54	78	66	102
30	24	AUF(+)-3024-(*)-RT(+)	27	48	39	72	51	96	63	120
	18	AUF(+)-3018-(*)-RT(+)	27	42	39	66	51	90	63	114
	12	AUF(+)-3012-(*)-RT(+)	27	36	39	60	51	84	63	108
	9	AUF(+)-3009-(*)-RT(+)	27	33	39	57	51	81	63	105
	6	AUF(+)-3006-(*)-RT(+)	27	30	39	54	51	78	63	102
24	18	AUF(+)-2418-(*)-RT(+)	24	42	36	66	48	90	60	114
	12	AUF(+)-2412-(*)-RT(+)	24	36	36	60	48	84	60	108
	9	AUF(+)-2409-(*)-RT(+)	24	33	36	57	48	81	60	105
	6	AUF(+)-2406-(*)-RT(+)	24	30	36	54	48	78	60	102
18	12	AUF(+)-1812-(*)-RT(+)	21	36	33	60	45	84	57	108
	9	AUF(+)-1809-(*)-RT(+)	21	33	33	57	45	81	57	105
	6	AUF(+)-1806-(*)-RT(+)	21	30	33	54	45	78	57	102
12	9	AUF(+)-1209-(*)-RT(+)	18	33	30	57	42	81	54	105
	6	AUF(+)-1206-(*)-RT(+)	18	30	30	54	42	78	54	102
9	6	AUF(+)-0906-(*)-RT(+)	16-1/2	30	28-1/2	54	40-1/2	78	52-1/2	102

(+) Insert side rail height. (*) Insert bottom style to complete CAT. NO. (+) Insert radius (12 in. – 48 in.). Includes 2 pairs of splice plates with hardware.
 T&B aluminum cable tray is composed of two distinct systems H-Style and U-Style. These systems are interchangeable.

Fittings

H-Style Fittings Horizontal Reducing Tees

Part Numbering System

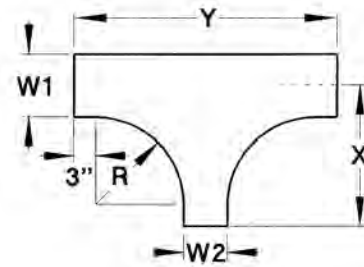
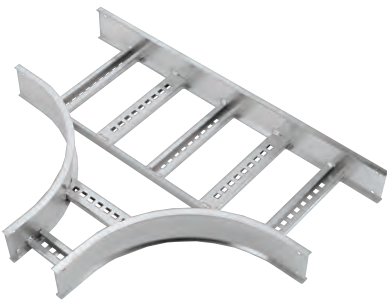
AHF-7-36-24-L-RT-12



Selection Guide

Tray Widths W1: 42, 36, 30, 24, 18, 12, 9
 Tray Widths W2: 36, 30, 24, 18, 12, 9, 6
 Nominal Radius: 12, 24, 36, 48
 Bottom Styles: L– Ladder, V– Ventilated, S– Solid
 Side Rail Heights: 4 in. – 7 in.

Horizontal REDUCING TEE – H-Style



Widths		Cat. No.	(+) 12 in. Nominal Radius		(+) 24 in. Nominal Radius		(+) 36 in. Nominal Radius		(+) 48 in. Nominal Radius	
W1	W2		X	Y	X	Y	X	Y	X	Y
42	36	AHF(+)-4236-(*)-RT(+)	36	66	48	90	60	114	72	138
	30	AHF(+)-4230-(*)-RT(+)	36	60	48	84	60	108	72	132
	24	AHF(+)-4224-(*)-RT(+)	36	54	48	78	60	102	72	126
	18	AHF(+)-4218-(*)-RT(+)	36	48	48	72	60	96	72	120
	12	AHF(+)-4212-(*)-RT(+)	36	42	48	66	60	90	72	114
	9	AHF(+)-4209-(*)-RT(+)	36	39	48	63	60	87	72	111
36	30	AHF(+)-3630-(*)-RT(+)	36	36	48	60	60	84	72	108
	24	AHF(+)-3624-(*)-RT(+)	33	60	45	84	57	108	69	132
	18	AHF(+)-3618-(*)-RT(+)	33	54	45	78	57	102	69	126
	12	AHF(+)-3612-(*)-RT(+)	33	48	45	72	57	96	69	120
	9	AHF(+)-3609-(*)-RT(+)	33	42	45	66	57	90	69	114
	6	AHF(+)-3606-(*)-RT(+)	33	39	45	63	57	87	69	111
30	24	AHF(+)-3024-(*)-RT(+)	33	36	45	60	57	84	69	108
	18	AHF(+)-3018-(*)-RT(+)	30	54	42	78	54	102	66	126
	12	AHF(+)-3012-(*)-RT(+)	30	48	42	72	54	96	66	120
	9	AHF(+)-3009-(*)-RT(+)	30	42	42	66	54	90	66	114
	6	AHF(+)-3006-(*)-RT(+)	30	39	42	63	54	87	66	111
	6	AHF(+)-3006-(*)-RT(+)	30	36	42	60	54	84	66	108
24	18	AHF(+)-2418-(*)-RT(+)	27	48	39	72	51	96	63	120
	12	AHF(+)-2412-(*)-RT(+)	27	42	39	66	51	90	63	114
	9	AHF(+)-2409-(*)-RT(+)	27	39	39	63	51	87	63	111
	6	AHF(+)-2406-(*)-RT(+)	27	36	39	60	51	84	63	108
18	12	AHF(+)-1812-(*)-RT(+)	24	42	36	66	48	90	60	114
	9	AHF(+)-1809-(*)-RT(+)	24	39	36	63	48	87	60	111
	6	AHF(+)-1806-(*)-RT(+)	24	36	36	60	48	84	60	108
12	9	AHF(+)-1209-(*)-RT(+)	21	39	33	63	45	87	57	111
	6	AHF(+)-1206-(*)-RT(+)	21	36	33	60	45	84	57	108
9	6	AHF(+)-0906-(*)-RT(+)	19-1/2	36	31-1/2	60	43-1/2	84	55-1/2	108

(†) Insert side rail height. (*) Insert bottom style to complete CAT. NO. (+) Insert radius (12 in. – 48 in.). Includes 2 pairs of splice plates with hardware. T&B aluminum cable tray is composed of two distinct systems H-Style and U-Style. These systems are interchangeable.

Fittings

U-Style Fittings Horizontal Expanding Tees

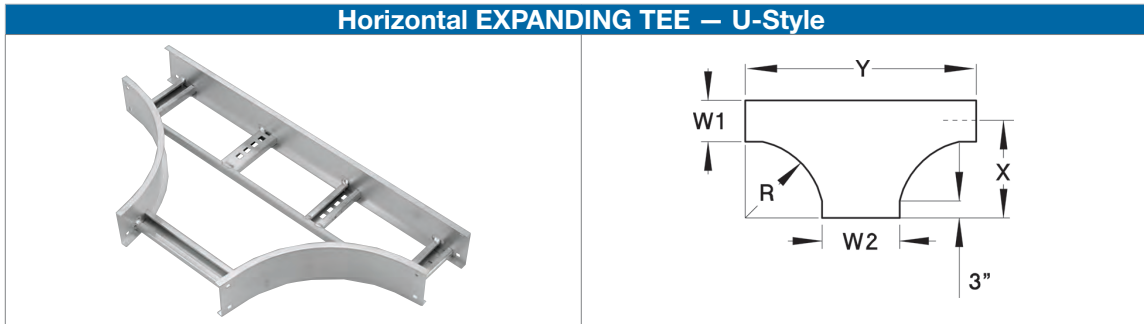
Part Numbering System

AUF-4-06-09-L-ET-24

Fitting material and side rail | Width 1 | Bottom style | Nominal radius
 Side rail height | Width 2 | Fitting type

Selection Guide

Tray Widths W1: 30, 24, 18, 12, 9, 6
 Tray Widths W2: 42, 36, 30, 24, 18, 12, 9
 Nominal Radius: 12, 24, 36, 48
 Bottom Styles: L- Ladder, V- Ventilated, S- Solid
 Side Rail Heights: 4 in. – 7 in.



Widths		Cat. No.	(+ 12 in. Nominal Radius)		(+ 24 in. Nominal Radius)		(+ 36 in. Nominal Radius)		(+ 48 in. Nominal Radius)	
W1	W2		X	Y	X	Y	X	Y	X	Y
36	42	AUF(†)-3642-(*)-ET(+)	30	66	42	90	54	114	66	138
	36	AUF(†)-3036-(*)-ET(+)	27	60	39	84	51	108	63	132
30	42	AUF(†)-3042-(*)-ET(+)	27	66	39	90	51	114	63	138
	30	AUF(†)-2430-(*)-ET(+)	24	54	36	78	48	102	60	126
24	36	AUF(†)-2436-(*)-ET(+)	24	60	36	84	48	108	60	132
	42	AUF(†)-2442-(*)-ET(+)	24	66	36	90	48	114	60	138
18	24	AUF(†)-1824-(*)-ET(+)	21	48	33	72	45	96	57	120
	30	AUF(†)-1830-(*)-ET(+)	21	54	33	78	45	102	57	126
	36	AUF(†)-1836-(*)-ET(+)	21	60	33	84	45	108	57	132
	42	AUF(†)-1842-(*)-ET(+)	21	66	33	90	45	114	57	138
12	18	AUF(†)-1218-(*)-ET(+)	18	42	30	66	42	90	54	114
	24	AUF(†)-1224-(*)-ET(+)	18	48	30	72	42	96	54	120
	30	AUF(†)-1230-(*)-ET(+)	18	54	30	78	42	102	54	126
	36	AUF(†)-1236-(*)-ET(+)	18	60	30	84	42	108	54	132
	42	AUF(†)-1242-(*)-ET(+)	18	66	30	90	42	114	54	138
9	12	AUF(†)-0912-(*)-ET(+)	16-1/2	36	28-1/2	60	40-1/2	84	52-1/2	108
	18	AUF(†)-0918-(*)-ET(+)	16-1/2	42	28-1/2	66	40-1/2	90	52-1/2	114
	24	AUF(†)-0924-(*)-ET(+)	16-1/2	48	28-1/2	72	40-1/2	96	52-1/2	120
	30	AUF(†)-0930-(*)-ET(+)	16-1/2	54	28-1/2	78	40-1/2	102	52-1/2	126
	36	AUF(†)-0936-(*)-ET(+)	16-1/2	60	28-1/2	84	40-1/2	108	52-1/2	132
6	42	AUF(†)-0942-(*)-ET(+)	16-1/2	66	28-1/2	90	40-1/2	114	52-1/2	138
	9	AUF(†)-0609-(*)-ET(+)	15	33	27	57	39	81	51	105
	12	AUF(†)-0612-(*)-ET(+)	15	36	27	60	39	84	51	108
	18	AUF(†)-0618-(*)-ET(+)	15	42	27	66	39	90	51	114
	24	AUF(†)-0624-(*)-ET(+)	15	48	27	72	39	96	51	120
	30	AUF(†)-0630-(*)-ET(+)	15	54	27	78	39	102	51	126
	36	AUF(†)-0636-(*)-ET(+)	15	60	27	84	39	108	51	132
42	AUF(†)-0642-(*)-ET(+)	15	66	27	90	39	114	51	138	

(†) Insert side rail height. (*) Insert bottom style to complete CAT. NO. (+) Insert radius (12 in. – 48 in.). Includes 2 pairs of splice plates with hardware.
 T&B aluminum cable tray is composed of two distinct systems H-Style and U-Style. These systems are interchangeable.

Fittings

H-Style Fittings Horizontal Expanding Tees

Part Numbering System

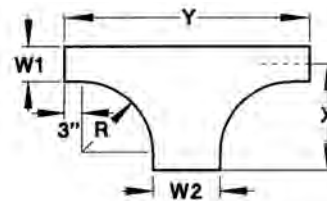
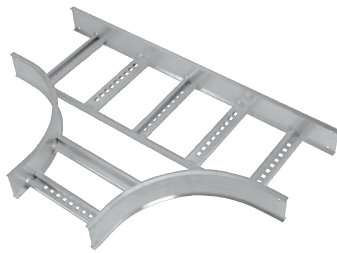
AHF-4-06-09-L-ET-24



Selection Guide

Tray Widths W1: 30, 24, 18, 12, 9, 6
 Tray Widths W2: 42, 36, 30, 24, 18, 12, 9
 Nominal Radius: 12, 24, 36, 48
 Bottom Styles: L– Ladder, V– Ventilated, S– Solid
 Side Rail Heights: 4 in. – 7 in.

Horizontal EXPANDING TEE – H-Style



Widths		Cat. No.	(+) 12 in. Nominal Radius		(+) 24 in. Nominal Radius		(+) 36 in. Nominal Radius		(+) 48 in. Nominal Radius	
W1	W2		X	Y	X	Y	X	Y	X	Y
36	42	AHF(+)-3642-(*)-ET(+)	33	72	45	96	57	120	69	144
	36	AHF(+)-3036-(*)-ET(+)	30	66	42	90	54	114	66	138
30	42	AHF(+)-3042-(*)-ET(+)	30	72	42	96	54	120	66	144
	30	AHF(+)-2430-(*)-ET(+)	27	60	39	84	51	108	63	132
24	36	AHF(+)-2436-(*)-ET(+)	27	66	39	90	51	114	63	138
	42	AHF(+)-2442-(*)-ET(+)	27	72	39	96	51	120	63	144
	24	AHF(+)-1824-(*)-ET(+)	24	54	36	78	48	102	60	126
18	30	AHF(+)-1830-(*)-ET(+)	24	60	36	84	48	108	60	132
	36	AHF(+)-1836-(*)-ET(+)	24	66	36	90	48	114	60	138
	42	AHF(+)-1842-(*)-ET(+)	24	72	36	96	48	120	60	144
12	18	AHF(+)-1218-(*)-ET(+)	21	48	33	72	45	96	57	120
	24	AHF(+)-1224-(*)-ET(+)	21	54	33	78	45	102	57	126
	30	AHF(+)-1230-(*)-ET(+)	21	60	33	84	45	108	57	132
	36	AHF(+)-1236-(*)-ET(+)	21	66	33	90	45	114	57	138
	42	AHF(+)-1242-(*)-ET(+)	21	72	33	96	45	120	57	144
9	12	AHF(+)-0912-(*)-ET(+)	19-1/2	42	31-1/2	66	43-1/2	90	55-1/2	114
	18	AHF(+)-0918-(*)-ET(+)	19-1/2	48	31-1/2	72	43-1/2	96	55-1/2	120
	24	AHF(+)-0924-(*)-ET(+)	19-1/2	54	31-1/2	78	43-1/2	102	55-1/2	126
	30	AHF(+)-0930-(*)-ET(+)	19-1/2	60	31-1/2	84	43-1/2	108	55-1/2	132
	36	AHF(+)-0936-(*)-ET(+)	19-1/2	66	31-1/2	90	43-1/2	114	55-1/2	138
	42	AHF(+)-0942-(*)-ET(+)	19-1/2	72	31-1/2	96	43-1/2	120	55-1/2	144
6	9	AHF(+)-0609-(*)-ET(+)	18	39	30	63	42	87	54	111
	12	AHF(+)-0612-(*)-ET(+)	18	42	30	66	42	90	54	114
	18	AHF(+)-0618-(*)-ET(+)	18	48	30	72	42	96	54	120
	24	AHF(+)-0624-(*)-ET(+)	18	54	30	78	42	102	54	126
	30	AHF(+)-0630-(*)-ET(+)	18	60	30	84	42	108	54	132
	36	AHF(+)-0636-(*)-ET(+)	18	66	30	90	42	114	54	138
	42	AHF(+)-0642-(*)-ET(+)	18	72	30	96	42	120	54	144

(†) Insert side rail height. (*) Insert bottom style to complete CAT. NO. (+) Insert radius (12 in. – 48 in.). Includes 2 pairs of splice plates with hardware.
 T&B aluminum cable tray is composed of two distinct systems H-Style and U-Style. These systems are interchangeable.

Fittings

U-Style Fittings Horizontal Expanding Crosses

Part Numbering System

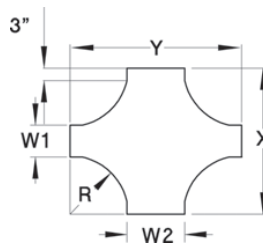
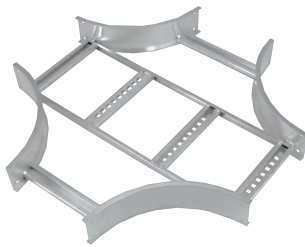
AUF-5-18-24-L-EX36

Fitting material and side rail | Width 1 | Bottom style | Nominal radius
 Side rail height | Width 2 | Fitting type

Selection Guide

Tray Widths W1: 30, 24, 18, 12, 9, 6
 Tray Widths W2: 42, 36, 30, 24, 18, 12, 9
 Nominal Radius: 12, 24, 36, 48
 Bottom Styles: L- Ladder, V- Ventilated, S- Solid
 Side Rail Heights: 4 in. – 7 in.

Horizontal EXPANDING CROSS – U-Style



Widths		Cat. No.	(+ 12 in. Nominal Radius)		(+ 24 in. Nominal Radius)		(+ 36 in. Nominal Radius ²)		(+ 48 in. Nominal Radius ¹)	
W1	W2		X	Y	X	Y	X	Y	X	Y
36	42	AUF(†)-3642-(*)-EX(+)	60	66	84	90	108	114	132	138
	36	AUF(†)-3036-(*)-EX(+)	54	60	78	84	102	108	126	132
30	42	AUF(†)-3042-(*)-EX(+)	54	66	78	90	102	114	126	138
	30	AUF(†)-2430-(*)-EX(+)	48	54	72	78	96	102	120	126
24	36	AUF(†)-2436-(*)-EX(+)	48	60	72	84	96	108	120	132
	42	AUF(†)-2442-(*)-EX(+)	48	66	72	90	96	114	120	138
18	24	AUF(†)-1824-(*)-EX(+)	42	48	66	72	90	96	114	120
	30	AUF(†)-1830-(*)-EX(+)	42	54	66	78	90	102	114	126
	36	AUF(†)-1836-(*)-EX(+)	42	60	66	84	90	108	114	132
	42	AUF(†)-1842-(*)-EX(+)	42	66	66	90	90	114	114	138
12	18	AUF(†)-1218-(*)-EX(+)	36	42	60	66	84	90	108	114
	24	AUF(†)-1224-(*)-EX(+)	36	48	60	72	84	96	108	120
	30	AUF(†)-1230-(*)-EX(+)	36	54	60	78	84	102	108	126
	36	AUF(†)-1236-(*)-EX(+)	36	60	60	84	84	108	108	132
9	42	AUF(†)-1242-(*)-EX(+)	36	66	60	90	84	114	108	138
	12	AUF(†)-0912-(*)-EX(+)	33	36	57	60	81	84	105	108
	18	AUF(†)-0918-(*)-EX(+)	33	42	57	66	81	90	105	114
	24	AUF(†)-0924-(*)-EX(+)	33	48	57	72	81	96	105	120
	30	AUF(†)-0930-(*)-EX(+)	33	54	57	78	81	102	105	126
	36	AUF(†)-0936-(*)-EX(+)	33	60	57	84	81	108	105	132
6	42	AUF(†)-0942-(*)-EX(+)	33	66	57	90	81	114	105	138
	9	AUF(†)-0609-(*)-EX(+)	30	33	54	57	78	81	102	105
	12	AUF(†)-0612-(*)-EX(+)	30	36	54	60	78	84	102	108
	18	AUF(†)-0618-(*)-EX(+)	30	42	54	66	78	90	102	114
	24	AUF(†)-0624-(*)-EX(+)	30	48	54	72	78	96	102	120
	30	AUF(†)-0630-(*)-EX(+)	30	54	54	78	78	102	102	126
	36	AUF(†)-0636-(*)-EX(+)	30	60	54	84	78	108	102	132
	42	AUF(†)-0642-(*)-EX(+)	30	66	54	90	78	114	102	138

(†) Insert side rail height. (*) Insert bottom style to complete CAT. NO. (+) Insert radius (12 in. – 48 in.). Includes 3 pairs of splice plates with hardware.

T&B aluminum cable tray is composed of two distinct systems H-Style and U-Style. These systems are interchangeable.

¹ All 48 in. radius crosses shipped with SSW-3/8HXHWK hardware kit.

² All 36 in. radius crosses with width (W1) 30 in. or larger shipped with SSW-3/8HXHWK hardware kit.

Fittings

H-Style Fittings Horizontal Expanding Crosses

Part Numbering System

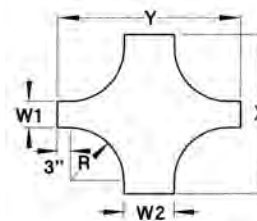
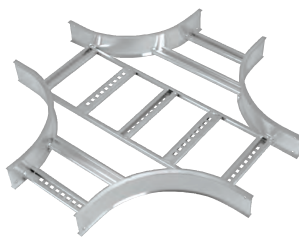
AHF-5-30-36-L-EX-36



Selection Guide

Tray Widths W1: 30, 24, 18, 12, 9, 6
 Tray Widths W2: 42, 36, 30, 24, 18, 12, 9
 Nominal Radius: 12, 24, 36, 48
 Bottom Styles: L- Ladder, V- Ventilated, S- Solid
 Side Rail Heights: 4 in. – 7 in.

Horizontal EXPANDING CROSS – H-Style



Widths		Cat. No.	(+ 12 in. Nominal Radius		(+ 24 in. Nominal Radius		(+ 36 in. Nominal Radius ²		(+ 48 in. Nominal Radius ¹	
W1	W2		X	Y	X	Y	X	Y	X	Y
36	42	AHF(+)-3642-(*)-EX(+)	66	72	90	96	114	120	138	144
	36	AHF(+)-3036-(*)-EX(+)	60	66	84	90	108	114	132	138
30	42	AHF(+)-3042-(*)-EX(+)	60	72	84	96	108	120	132	144
	30	AHF(+)-2430-(*)-EX(+)	54	60	78	84	102	108	126	132
	36	AHF(+)-2436-(*)-EX(+)	54	66	78	90	102	114	126	138
24	42	AHF(+)-2442-(*)-EX(+)	54	75	78	96	102	120	126	144
	24	AHF(+)-1824-(*)-EX(+)	48	54	72	78	96	102	120	126
	30	AHF(+)-1830-(*)-EX(+)	48	60	72	84	96	108	120	132
18	36	AHF(+)-1836-(*)-EX(+)	48	66	72	90	96	114	120	138
	42	AHF(+)-1842-(*)-EX(+)	48	72	72	96	96	120	120	144
	18	AHF(+)-1218-(*)-EX(+)	42	48	66	72	90	96	114	120
12	24	AHF(+)-1224-(*)-EX(+)	42	54	66	78	90	102	114	126
	30	AHF(+)-1230-(*)-EX(+)	42	60	66	84	90	108	114	132
	36	AHF(+)-1236-(*)-EX(+)	42	66	66	90	90	114	114	138
	42	AHF(+)-1242-(*)-EX(+)	42	72	66	96	90	120	114	144
9	12	AHF(+)-0912-(*)-EX(+)	39	42	63	66	87	90	111	114
	18	AHF(+)-0918-(*)-EX(+)	39	48	63	72	87	96	111	120
	24	AHF(+)-0924-(*)-EX(+)	39	54	63	78	87	102	111	126
	30	AHF(+)-0930-(*)-EX(+)	39	60	63	84	87	108	111	132
	36	AHF(+)-0936-(*)-EX(+)	39	66	63	90	87	114	111	138
	42	AHF(+)-0942-(*)-EX(+)	39	72	63	96	87	120	111	144
6	9	AHF(+)-0609-(*)-EX(+)	36	39	60	63	84	87	108	111
	12	AHF(+)-0612-(*)-EX(+)	36	42	60	66	84	90	108	114
	18	AHF(+)-0618-(*)-EX(+)	36	48	60	72	84	96	108	120
	24	AHF(+)-0624-(*)-EX(+)	36	54	60	78	84	102	108	126
	30	AHF(+)-0630-(*)-EX(+)	36	60	60	84	84	108	108	132
	36	AHF(+)-0636-(*)-EX(+)	36	66	60	90	84	114	108	138
	42	AHF(+)-0642-(*)-EX(+)	36	72	60	96	84	120	108	144

(+) Insert side rail height. (*) Insert bottom style to complete CAT. NO. (+) Insert radius (12 in. – 48 in.). Includes 3 pairs of splice plates with hardware.

T&B aluminum cable tray is composed of two distinct systems H-Style and U-Style. These systems are interchangeable.

¹ All 48 in. radius crosses shipped with SSW-3/8HXHWK hardware kit.

² All 36 in. radius crosses with width (W1) 24 in. or larger shipped with SSW-3/8HXHWK hardware kit.

Fittings

U-Style Fittings Reducers

Part Numbering System

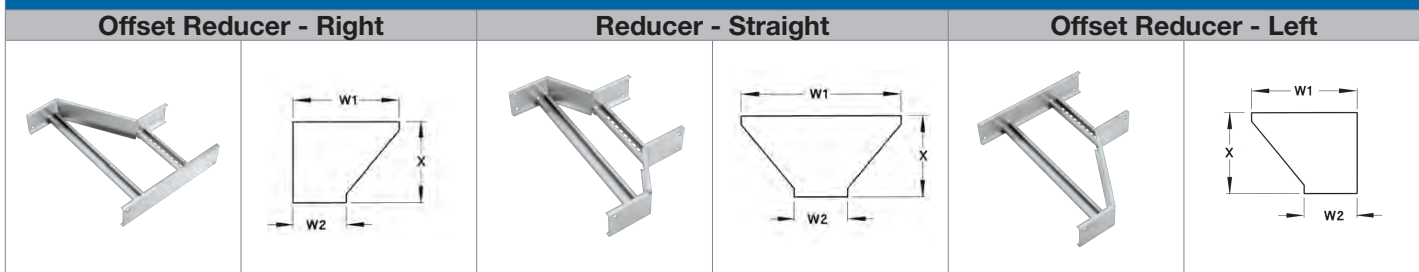
AUF-6-36-18-L-HLR



Selection Guide

Tray Widths W1: 42, 36, 30, 24, 18, 12, 9
 Tray Widths W2: 36, 30, 24, 18, 12, 9, 6
 Bottom Styles: L– Ladder, V– Ventilated, S– Solid
 Side Rail Heights: 4 in. – 7 in.

Horizontal REDUCERS – U-Style



Widths		Left Reducer		Straight Reducer (Concentric)		Right Reducer		
W1	W2	Cat. No.	Dim. X	Cat. No.	Dim. X	Cat. No.	Dim. X	
42	36	AUF(†)-42-36-(*)-HLR	15-7/16	AUF(†)-42-36-(*)-HSR	13-3/4	AUF(†)-42-36-(*)-HRR	15-7/16	
	30	AUF(†)-42-30-(*)-HLR	18-15/16	AUF(†)-42-30-(*)-HSR	15-7/16	AUF(†)-42-30-(*)-HRR	18-15/16	
	24	AUF(†)-42-24-(*)-HLR	22-3/8	AUF(†)-42-24-(*)-HSR	17-3/16	AUF(†)-42-24-(*)-HRR	22-3/8	
	18	AUF(†)-42-18-(*)-HLR	25-7/8	AUF(†)-42-18-(*)-HSR	18-5/16	AUF(†)-42-18-(*)-HRR	25-7/8	
	12	AUF(†)-42-12-(*)-HLR	29-5/16	AUF(†)-42-12-(*)-HSR	20-5/8	AUF(†)-42-12-(*)-HRR	29-5/16	
	9	AUF(†)-42-09-(*)-HLR	31-1/16	AUF(†)-42-09-(*)-HSR	21-1/2	AUF(†)-42-09-(*)-HRR	31-1/16	
36	30	AUF(†)-36-30-(*)-HLR	15-7/16	AUF(†)-36-30-(*)-HSR	13-3/4	AUF(†)-36-30-(*)-HRR	15-7/16	
	24	AUF(†)-36-24-(*)-HLR	18-15/16	AUF(†)-36-24-(*)-HSR	15-7/16	AUF(†)-36-24-(*)-HRR	18-15/16	
	18	AUF(†)-36-18-(*)-HLR	22-3/8	AUF(†)-36-18-(*)-HSR	17-3/8	AUF(†)-36-18-(*)-HRR	22-3/8	
	12	AUF(†)-36-12-(*)-HLR	25-7/8	AUF(†)-36-12-(*)-HSR	18-5/16	AUF(†)-36-12-(*)-HRR	25-7/8	
	9	AUF(†)-36-09-(*)-HLR	27-9/16	AUF(†)-36-09-(*)-HSR	19-13/16	AUF(†)-36-09-(*)-HRR	27-9/16	
	6	AUF(†)-36-06-(*)-HLR	29-5/16	AUF(†)-36-06-(*)-HSR	20-11/16	AUF(†)-36-06-(*)-HRR	29-5/16	
30	24	AUF(†)-30-24-(*)-HLR	15-7/16	AUF(†)-30-24-(*)-HSR	13-3/4	AUF(†)-30-24-(*)-HRR	15-7/16	
	18	AUF(†)-30-18-(*)-HLR	18-15/16	AUF(†)-30-18-(*)-HSR	15-7/16	AUF(†)-30-18-(*)-HRR	18-15/16	
	12	AUF(†)-30-12-(*)-HLR	22-3/8	AUF(†)-30-12-(*)-HSR	17-3/16	AUF(†)-30-12-(*)-HRR	22-3/8	
	9	AUF(†)-30-09-(*)-HLR	24-1/8	AUF(†)-30-09-(*)-HSR	18-1/16	AUF(†)-30-09-(*)-HRR	24-1/8	
	6	AUF(†)-30-06-(*)-HLR	25-7/8	AUF(†)-30-06-(*)-HSR	18-15/16	AUF(†)-30-06-(*)-HRR	25-7/8	
	24	18	AUF(†)-24-18-(*)-HLR	15-7/16	AUF(†)-24-18-(*)-HSR	13-3/4	AUF(†)-24-18-(*)-HRR	15-7/16
12		AUF(†)-24-12-(*)-HLR	18-15/16	AUF(†)-24-12-(*)-HSR	15-7/16	AUF(†)-24-12-(*)-HRR	18-15/16	
9		AUF(†)-24-09-(*)-HLR	20-11/16	AUF(†)-24-09-(*)-HSR	16-5/16	AUF(†)-24-09-(*)-HRR	20-11/16	
6		AUF(†)-24-06-(*)-HLR	22-3/8	AUF(†)-24-06-(*)-HSR	17-3/16	AUF(†)-24-06-(*)-HRR	22-3/8	
18		12	AUF(†)-18-12-(*)-HLR	15-7/16	AUF(†)-18-12-(*)-HSR	13-3/4	AUF(†)-18-12-(*)-HRR	15-7/16
		9	AUF(†)-18-09-(*)-HLR	17-3/16	AUF(†)-18-09-(*)-HSR	14-5/8	AUF(†)-18-09-(*)-HRR	17-3/16
	6	AUF(†)-18-06-(*)-HLR	18-15/16	AUF(†)-18-06-(*)-HSR	15-7/16	AUF(†)-18-06-(*)-HRR	18-15/16	
12	9	AUF(†)-12-09-(*)-HLR	13-3/4	AUF(†)-12-09-(*)-HSR	12-7/8	AUF(†)-12-09-(*)-HRR	13-3/4	
	6	AUF(†)-12-06-(*)-HLR	15-7/16	AUF(†)-12-06-(*)-HSR	13-3/4	AUF(†)-12-06-(*)-HRR	15-7/16	
9	6	AUF(†)-09-06-(*)-HLR	13-3/4	AUF(†)-09-06-(*)-HSR	12-7/8	AUF(†)-09-06-(*)-HRR	13-3/4	

(†) Insert side rail height. (*) Insert bottom style to complete CAT. NO. Includes 1 pair of splice plates with hardware.
 T&B aluminum cable tray is composed of two distinct systems H-Style and U-Style. These systems are interchangeable.

Fittings

H-Style Fittings Reducers

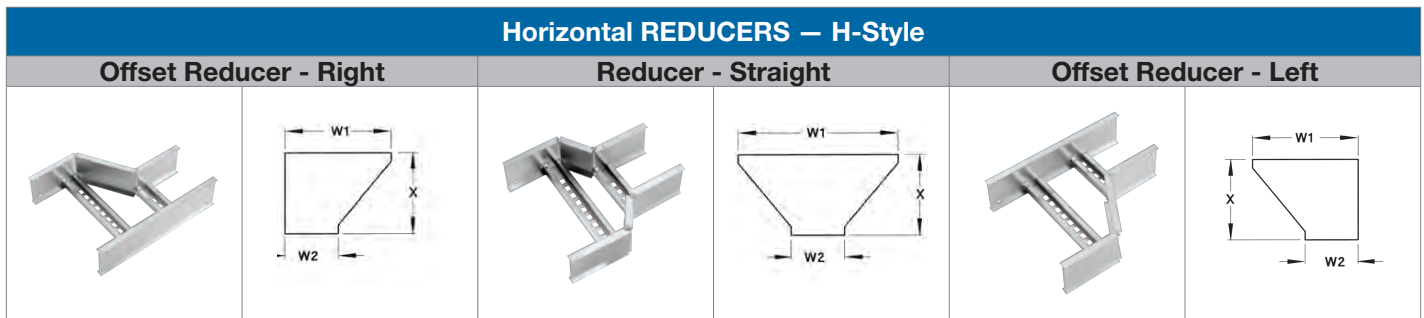
Part Numbering System

AHF-6-36-18-L-HLR

Fitting material and side rail | Width 1 | Bottom style | Fitting type
 Side rail height | Width 2

Selection Guide

Tray Widths W1: 42, 36, 30, 24, 18, 12, 9
 Tray Widths W2: 36, 30, 24, 18, 12, 9, 6
 Bottom Styles: L– Ladder, V– Ventilated, S– Solid
 Side Rail Heights: 4 in. – 7 in.



Widths		Left Reducer		Straight Reducer (Concentric)		Right Reducer	
W1	W2	Cat. No.	Dim. X	Cat. No.	Dim. X	Cat. No.	Dim. X
42	36	AHF(t)-42-36-(*)-HLR	15-7/16	AHF(t)-42-36-(*)-HSR	13-3/4	AHF(t)-42-36-(*)-HRR	15-7/16
	30	AHF(t)-42-30-(*)-HLR	18-15/16	AHF(t)-42-30-(*)-HSR	15-7/16	AHF(t)-42-30-(*)-HRR	18-15/16
	24	AHF(t)-42-24-(*)-HLR	22-3/8	AHF(t)-42-24-(*)-HSR	17-3/16	AHF(t)-42-24-(*)-HRR	22-3/8
	18	AHF(t)-42-18-(*)-HLR	25-7/8	AHF(t)-42-18-(*)-HSR	18-5/16	AHF(t)-42-18-(*)-HRR	25-7/8
	12	AHF(t)-42-12-(*)-HLR	29-5/16	AHF(t)-42-12-(*)-HSR	20-5/8	AHF(t)-42-12-(*)-HRR	29-5/16
	9	AHF(t)-42-09-(*)-HLR	31-1/16	AHF(t)-42-09-(*)-HSR	21-1/2	AHF(t)-42-09-(*)-HRR	31-1/16
36	6	AHF(t)-42-06-(*)-HLR	32-3/4	AHF(t)-42-06-(*)-HSR	22-3/8	AHF(t)-42-06-(*)-HRR	32-3/4
	30	AHF(t)-36-30-(*)-HLR	15-7/16	AHF(t)-36-30-(*)-HSR	13-3/4	AHF(t)-36-30-(*)-HRR	15-7/16
	24	AHF(t)-36-24-(*)-HLR	18-15/16	AHF(t)-36-24-(*)-HSR	15-7/16	AHF(t)-36-24-(*)-HRR	18-15/16
	18	AHF(t)-36-18-(*)-HLR	22-3/8	AHF(t)-36-18-(*)-HSR	17-3/8	AHF(t)-36-18-(*)-HRR	22-3/8
	12	AHF(t)-36-12-(*)-HLR	25-7/8	AHF(t)-36-12-(*)-HSR	18-5/16	AHF(t)-36-12-(*)-HRR	25-7/8
	9	AHF(t)-36-09-(*)-HLR	27-9/16	AHF(t)-36-09-(*)-HSR	19-13/16	AHF(t)-36-09-(*)-HRR	27-9/16
30	6	AHF(t)-36-06-(*)-HLR	29-5/16	AHF(t)-36-06-(*)-HSR	20-11/16	AHF(t)-36-06-(*)-HRR	29-5/16
	24	AHF(t)-30-24-(*)-HLR	15-7/16	AHF(t)-30-24-(*)-HSR	13-3/4	AHF(t)-30-24-(*)-HRR	15-7/16
	18	AHF(t)-30-18-(*)-HLR	18-15/16	AHF(t)-30-18-(*)-HSR	15-7/16	AHF(t)-30-18-(*)-HRR	18-15/16
	12	AHF(t)-30-12-(*)-HLR	22-3/8	AHF(t)-30-12-(*)-HSR	17-3/16	AHF(t)-30-12-(*)-HRR	22-3/8
	9	AHF(t)-30-09-(*)-HLR	24-1/8	AHF(t)-30-09-(*)-HSR	18-1/16	AHF(t)-30-09-(*)-HRR	24-1/8
	6	AHF(t)-30-06-(*)-HLR	25-7/8	AHF(t)-30-06-(*)-HSR	18-15/16	AHF(t)-30-06-(*)-HRR	25-7/8
24	18	AHF(t)-24-18-(*)-HLR	15-7/16	AHF(t)-24-18-(*)-HSR	13-3/4	AHF(t)-24-18-(*)-HRR	15-7/16
	12	AHF(t)-24-12-(*)-HLR	18-15/16	AHF(t)-24-12-(*)-HSR	15-7/16	AHF(t)-24-12-(*)-HRR	18-15/16
	9	AHF(t)-24-09-(*)-HLR	20-11/16	AHF(t)-24-09-(*)-HSR	16-5/16	AHF(t)-24-09-(*)-HRR	20-11/16
	6	AHF(t)-24-06-(*)-HLR	22-3/8	AHF(t)-24-06-(*)-HSR	17-3/16	AHF(t)-24-06-(*)-HRR	22-3/8
18	12	AHF(t)-18-12-(*)-HLR	15-7/16	AHF(t)-18-12-(*)-HSR	13-3/4	AHF(t)-18-12-(*)-HRR	15-7/16
	9	AHF(t)-18-09-(*)-HLR	17-3/16	AHF(t)-18-09-(*)-HSR	14-5/8	AHF(t)-18-09-(*)-HRR	17-3/16
	6	AHF(t)-18-06-(*)-HLR	18-15/16	AHF(t)-18-06-(*)-HSR	15-7/16	AHF(t)-18-06-(*)-HRR	18-15/16
12	9	AHF(t)-12-09-(*)-HLR	13-3/4	AHF(t)-12-09-(*)-HSR	12-7/8	AHF(t)-12-09-(*)-HRR	13-3/4
	6	AHF(t)-12-06-(*)-HLR	15-7/16	AHF(t)-12-06-(*)-HSR	13-3/4	AHF(t)-12-06-(*)-HRR	15-7/16
9	6	AHF(t)-09-06-(*)-HLR	13-3/4	AHF(t)-09-06-(*)-HSR	12-7/8	AHF(t)-09-06-(*)-HRR	13-3/4

(t) Insert side rail height. (*) Insert bottom style to complete CAT. NO. Includes 1 pair of splice plates with hardware.
 T&B aluminum cable tray is composed of two distinct systems H-Style and U-Style. These systems are interchangeable.

Fittings

45° U-Style Fittings Horizontal Wyes

Part Numbering System

AUF-6-36-L-HYL

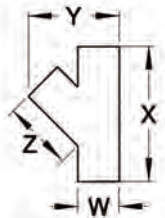
Fitting material and side rail
Width
Side rail height
Bottom style
Fitting type

Selection Guide

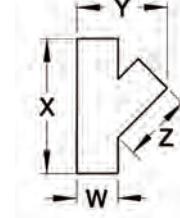
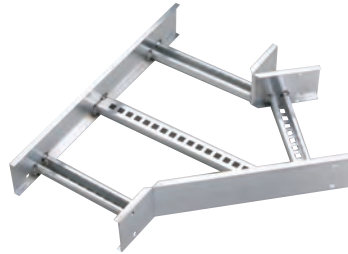
Inside Tray Widths: 6, 9, 12, 18, 24, 30, 36, 42
Bottom Styles: L- Ladder, V- Ventilated, S- Solid
Side Rail Heights: 4 in.– 7 in.

45° Horizontal WYE – U-Style

Left Hand Wye



Right Hand Wye



Width	Left Hand Wye Cat. No.	Right Hand Wye Cat. No.	Dimensions		
			X	Y	Z
6	AUF(†)-06-(*)-HYL	AUF(†)-06-(*)-HYR	18-5/16	14-13/16	12-7/16
9	AUF(†)-09-(*)-HYL	AUF(†)-09-(*)-HYR	22-1/2	19-15/16	15-7/16
12	AUF(†)-12-(*)-HYL	AUF(†)-12-(*)-HYR	26-3/4	25	18-7/16
18	AUF(†)-18-(*)-HYL	AUF(†)-18-(*)-HYR	35-1/4	35-1/4	24-7/16
24	AUF(†)-24-(*)-HYL	AUF(†)-24-(*)-HYR	43-1/2	45-1/2	30-7/16
30	AUF(†)-30-(*)-HYL	AUF(†)-30-(*)-HYR	52-1/4	55-3/4	36-7/16
36	AUF(†)-36-(*)-HYL	AUF(†)-36-(*)-HYR	60-11/16	66	42-7/16
42	AUF(†)-42-(*)-HYL	AUF(†)-42-(*)-HYR	69-3/16	76-1/4	45-7/16

(†) Insert side rail height. (*) Insert bottom style to complete CAT. NO. Includes 2 pairs of splice plates with hardware.
T&B aluminum cable tray is composed of two distinct systems H-Style and U-Style. These systems are interchangeable.

Fittings

45° H-Style Fittings Horizontal Wyes

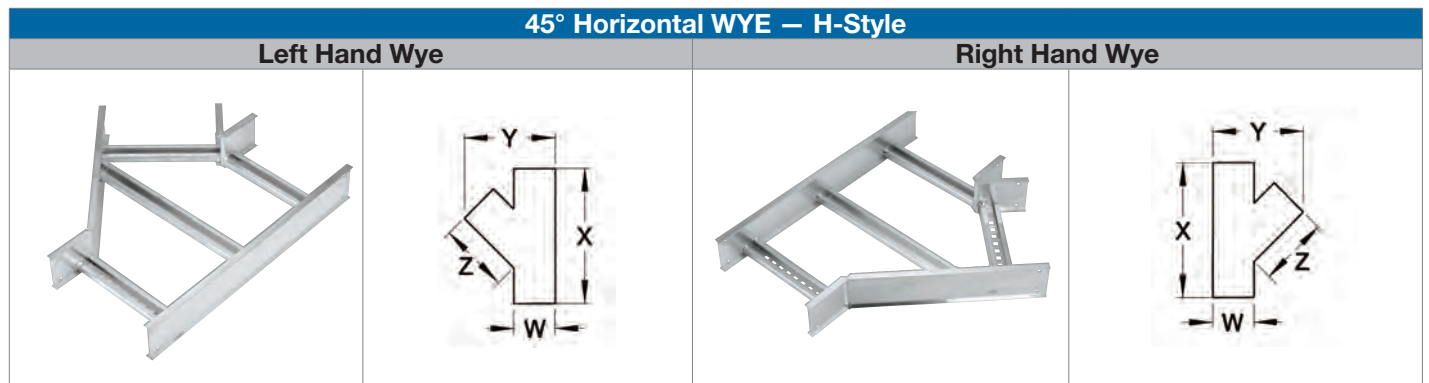
Part Numbering System

AHF-6-36-L-HYL

Fitting material and side rail | Width | Fitting type
 Side rail height | Bottom style

Selection Guide

Inside Tray Widths: 6, 9, 12, 18, 24, 30, 36, 42
 Bottom Styles: L- Ladder, V- Ventilated, S- Solid
 Side Rail Heights: 4 in.- 7 in.



Width	Left Hand Wye Cat. No.	Right Hand Wye Cat. No.	Dimensions		
			X	Y	Z
6	AHF(†)-06-(*)-HYL	AHF(†)-06-(*)-HYR	18-5/16	14-13/16	12-7/16
9	AHF(†)-09-(*)-HYL	AHF(†)-09-(*)-HYR	22-1/2	19-15/16	15-7/16
12	AHF(†)-12-(*)-HYL	AHF(†)-12-(*)-HYR	26-3/4	25	18-7/16
18	AHF(†)-18-(*)-HYL	AHF(†)-18-(*)-HYR	35-1/4	35-1/4	24-7/16
24	AHF(†)-24-(*)-HYL	AHF(†)-24-(*)-HYR	43-1/2	45-1/2	30-7/16
30	AHF(†)-30-(*)-HYL	AHF(†)-30-(*)-HYR	52-1/4	55-3/4	36-7/16
36	AHF(†)-36-(*)-HYL	AHF(†)-36-(*)-HYR	60-11/16	66	42-7/16
42	AHF(†)-42-(*)-HYL	AHF(†)-42-(*)-HYR	69-3/16	76-1/4	45-7/16

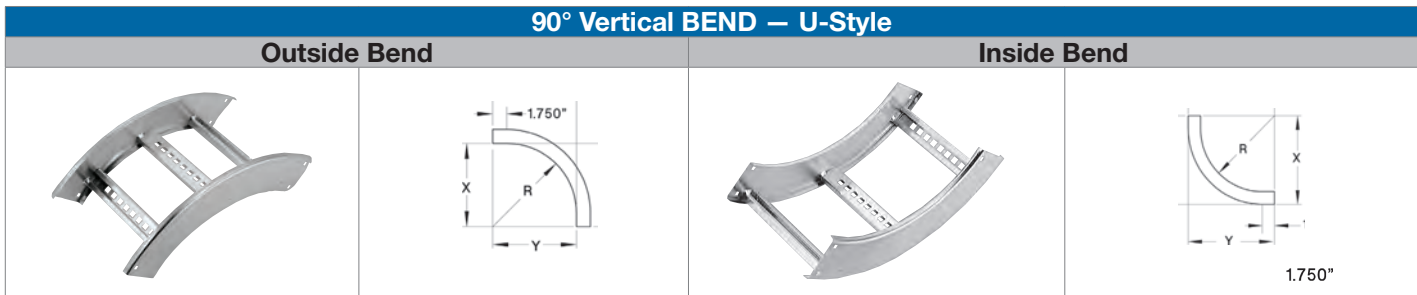
(†) Insert side rail height. (*) Insert bottom style to complete CAT. NO. Includes 2 pairs of splice plates with hardware.
 T&B aluminum cable tray is composed of two distinct systems H-Style and U-Style. These systems are interchangeable.

Fittings

90° U-Style Fittings Vertical Bends

Part Numbering System			
AUF-7-30-L-VI90-36			
Fitting material and side rail	Width	Fitting Type	Nominal radius
Side rail height	Bottom style	Degree	

Selection Guide
Inside Tray Widths: 6, 9, 12, 18, 24, 30, 36, 42
Angle: 90°
Radius: 12, 24, 36, 48
Bottom Styles: L- Ladder, V- Ventilated, S- Solid
Side Rail Heights: 4 in. – 7 in.



Nominal	Radial	Width	Cat. No.	(+ VO Side Rail 4 in. – 7 in.)		(+ VI Side Rail)							
				X	Y	4 in.		5 in.		6 in.		7 in.	
				X	Y	X	Y	X	Y	X	Y	X	Y
12	6		AUF(t)-06-(*)-(+)90-12										
	9		AUF(t)-09-(*)-(+)90-12										
	12		AUF(t)-12-(*)-(+)90-12										
	18		AUF(t)-18-(*)-(+)90-12	12	12	17-15/16	17-15/16	18-13/16	18-13/16	20	20	21	21
	24		AUF(t)-24-(*)-(+)90-12										
	30		AUF(t)-30-(*)-(+)90-12										
24	6		AUF(t)-06-(*)-(+)90-24										
	9		AUF(t)-09-(*)-(+)90-24										
	12		AUF(t)-12-(*)-(+)90-24										
	18		AUF(t)-18-(*)-(+)90-24	24	24	29-15/16	29-15/16	30-13/16	30-13/16	32	32	33	33
	24		AUF(t)-24-(*)-(+)90-24										
	30		AUF(t)-30-(*)-(+)90-24										
36	6		AUF(t)-06-(*)-(+)90-36										
	9		AUF(t)-09-(*)-(+)90-36										
	12		AUF(t)-12-(*)-(+)90-36										
	18		AUF(t)-18-(*)-(+)90-36	36	36	41-15/16	41-15/16	42-13/16	42-13/16	44	44	33	33
	24		AUF(t)-24-(*)-(+)90-36										
	30		AUF(t)-30-(*)-(+)90-36										
48	6		AUF(t)-06-(*)-(+)90-48										
	9		AUF(t)-09-(*)-(+)90-48										
	12		AUF(t)-12-(*)-(+)90-48										
	18		AUF(t)-18-(*)-(+)90-48	48	48	53-15/16	53-15/16	54-13/16	54-13/16	56	56	57	57
	24		AUF(t)-24-(*)-(+)90-48										
	30		AUF(t)-30-(*)-(+)90-48										

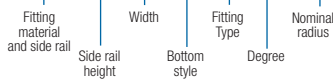
(†) Insert side rail height. (*) Insert bottom style (+) Insert "VO" for vertical outside or "VI" for vertical inside to complete CAT. NO. Includes 1 pair of splice plates with hardware. T&B aluminum cable tray is composed of two distinct systems H-Style and U-Style. These systems are interchangeable.

Fittings

90° H-Style Fittings Vertical Bends

Part Numbering System

AHF-7-30-L-VI90-36

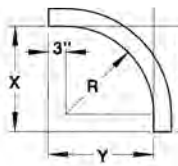


Selection Guide

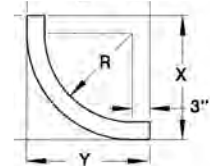
Inside Tray Widths: 6, 9, 12, 18, 24, 30, 36, 42
 Angle: 90°
 Radius: 12, 24, 36, 48
 Bottom Styles: L– Ladder, V– Ventilated, S– Solid
 Side Rail Heights: 4 in. – 7 in.

90° Vertical BEND – H-Style

Outside Bend



Inside Bend



Nominal	Radius	Width	Cat. No.	(+ V0 Side Rail		(+ VI Side Rail							
				4 in. – 7 in.		4 in.		5 in.		6 in.		7 in.	
				X	Y	X	Y	X	Y	X	Y	X	Y
12	6		AHF(+)-06-(*)-(+90-12										
	9		AHF(+)-09-(*)-(+90-12										
	12		AHF(+)-12-(*)-(+90-12										
	18		AHF(+)-18-(*)-(+90-12	15	15	19-3/16	19-3/16	20-1/16	20-1/16	21-1/4	21-1/4	22-1/4	22-1/4
	24		AHF(+)-24-(*)-(+90-12										
	30		AHF(+)-30-(*)-(+90-12										
	36		AHF(+)-36-(*)-(+90-12										
24	6		AHF(+)-06-(*)-(+90-24										
	9		AHF(+)-09-(*)-(+90-24										
	12		AHF(+)-12-(*)-(+90-24										
	18		AHF(+)-18-(*)-(+90-24	27	27	31-3/16	31-3/16	32-1/16	32-1/16	33-1/4	33-1/4	34-1/4	34-1/4
	24		AHF(+)-24-(*)-(+90-24										
	30		AHF(+)-30-(*)-(+90-24										
	36		AHF(+)-36-(*)-(+90-24										
36	6		AHF(+)-06-(*)-(+90-36										
	9		AHF(+)-09-(*)-(+90-36										
	12		AHF(+)-12-(*)-(+90-36										
	18		AHF(+)-18-(*)-(+90-36	39	39	43-3/16	43-3/16	44-1/16	44-1/16	45-1/4	45-1/4	46-1/4	46-1/4
	24		AHF(+)-24-(*)-(+90-36										
	30		AHF(+)-30-(*)-(+90-36										
	36		AHF(+)-36-(*)-(+90-36										
48	6		AHF(+)-06-(*)-(+90-48										
	9		AHF(+)-09-(*)-(+90-48										
	12		AHF(+)-12-(*)-(+90-48										
	18		AHF(+)-18-(*)-(+90-48	51	51	55-3/16	55-3/16	56-1/16	56-1/16	57-1/4	57-1/4	58-1/4	58-1/4
	24		AHF(+)-24-(*)-(+90-48										
	30		AHF(+)-30-(*)-(+90-48										
	36		AHF(+)-36-(*)-(+90-48										

(†) Insert side rail height. (*) Insert bottom style (+) Insert "V0" for vertical outside or "VI" for vertical inside to complete CAT. NO. Includes 1 pair of splice plates with hardware.
 T&B aluminum cable tray is composed of two distinct systems H-Style and U-Style. These systems are interchangeable.

Fittings

60° U-Style Fittings Vertical Bends

Part Numbering System			
AUF-7-36-V-VO60-24			
Fitting material and side rail	Width	Fitting Type	Nominal radius
Side rail height	Bottom style	Degree	

Selection Guide
Inside Tray Widths: 6, 9, 12, 18, 24, 30, 36, 42
Angle: 60°
Radius: 12, 24, 36, 48
Bottom Styles: L- Ladder, V- Ventilated, S- Solid
Side Rail Heights: 4 in. – 7 in.

60° Vertical BEND – U-Style



Nominal	Radius	Width	Cat. No.	(+ V0 Side Rail			(+ V1 Side Rail											
				4 in. – 7 in.			4 in.			5 in.			6 in.			7 in.		
				X	Y	Z	X	Y	Z	X	Y	Z	X	Y	Z	X	Y	Z
12	6		AUF(+)-06-(*)-(+)-60-12	13	7-1/2	8-11/16	16-5/8	11-11/16	11-1/16	17-7/16	12-5/8	11-5/8	18-3/8	13-11/16	12-1/4	19-5/16	14-3/4	12-7/8
	9		AUF(+)-09-(*)-(+)-60-12															
	12		AUF(+)-12-(*)-(+)-60-12															
	18		AUF(+)-18-(*)-(+)-60-12															
	24		AUF(+)-24-(*)-(+)-60-12															
	30		AUF(+)-30-(*)-(+)-60-12															
	36		AUF(+)-36-(*)-(+)-60-12															
24	6		AUF(+)-06-(*)-(+)-60-24	23-7/16	13-1/2	15-5/8	27	17-11/16	18	27-13/16	18-5/8	16-9/16	28-3/4	19-11/16	19-3/16	29-11/16	20-3/4	19-13/16
	9		AUF(+)-09-(*)-(+)-60-24															
	12		AUF(+)-12-(*)-(+)-60-24															
	18		AUF(+)-18-(*)-(+)-60-24															
	24		AUF(+)-24-(*)-(+)-60-24															
	30		AUF(+)-30-(*)-(+)-60-24															
	36		AUF(+)-36-(*)-(+)-60-24															
36	6		AUF(+)-06-(*)-(+)-60-36	33-13/16	19-1/2	22-9/16	37-7/16	23-11/16	24-15/16	38-3/16	24-5/8	25-7/16	39-3/16	25-11/16	26-1/8	40-1/16	26-3/4	26-11/16
	9		AUF(+)-09-(*)-(+)-60-36															
	12		AUF(+)-12-(*)-(+)-60-36															
	18		AUF(+)-18-(*)-(+)-60-36															
	24		AUF(+)-24-(*)-(+)-60-36															
	30		AUF(+)-30-(*)-(+)-60-36															
	36		AUF(+)-36-(*)-(+)-60-36															
48	6		AUF(+)-06-(*)-(+)-60-48	44-3/16	25-1/2	29-7/16	47-13/16	29-11/16	31-7/8	48-9/16	30-5/8	32-3/8	49-9/16	31-11/16	33-1/16	50-7/16	32-3/4	33-5/8
	9		AUF(+)-09-(*)-(+)-60-48															
	12		AUF(+)-12-(*)-(+)-60-48															
	18		AUF(+)-18-(*)-(+)-60-48															
	24		AUF(+)-24-(*)-(+)-60-48															
	30		AUF(+)-30-(*)-(+)-60-48															
	36		AUF(+)-36-(*)-(+)-60-48															
42		AUF(+)-42-(*)-(+)-60-48																

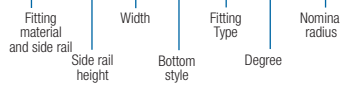
(+) Insert side rail height. (*) Insert bottom style (+) Insert "V0" for vertical outside or "V1" for vertical inside to complete CAT. NO. Includes 1 pair of splice plates with hardware. T&B aluminum cable tray is composed of two distinct systems H-Style and U-Style. These systems are interchangeable.

Fittings

60° H-Style Fittings Vertical Bends

Part Numbering System

AHF-7-36-V-VO60-24

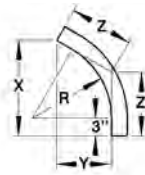


Selection Guide

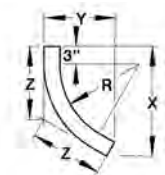
Inside Tray Widths: 6, 9, 12, 18, 24, 30, 36, 42
 Angle: 60°
 Radius: 12, 24, 36, 48
 Bottom Styles: L– Ladder, V– Ventilated, S– Solid
 Side Rail Heights: 4 in. – 7 in.

60° Vertical BEND – H-Style

Outside Bend



Inside Bend



Nominal Radius	Width	Cat. No.	(+ VO Side Rail			(+ VI Side Rail												
			4 in. – 7 in.			4 in.			5 in.			6 in.			7 in.			
			X	Y	Z	X	Y	Z	X	Y	Z	X	Y	Z	X	Y	Z	
12	6	AHF(+)-06-(*)-(+)/60-12																
	9	AHF(+)-09-(*)-(+)/60-12																
	12	AHF(+)-12-(*)-(+)/60-12																
	18	AHF(+)-18-(*)-(+)/60-12	14-7/8	8-5/8	9-15/16	18-1/2	12-3/4	12-5/16	19-5/16	13-11/16	12-7/8	20-5/16	14-13/16	13-1/2	21-1/8	15-13/16	14-1/8	
	24	AHF(+)-24-(*)-(+)/60-12																
	30	AHF(+)-30-(*)-(+)/60-12																
	36	AHF(+)-36-(*)-(+)/60-12																
24	6	AHF(+)-06-(*)-(+)/60-24																
	9	AHF(+)-09-(*)-(+)/60-24																
	12	AHF(+)-12-(*)-(+)/60-24																
	18	AHF(+)-18-(*)-(+)/60-24	25-5/16	14-5/8	16-7/8	28-7/8	18-3/4	19-1/4	29-11/16	19-11/16	19-13/16	30-11/16	20-13/16	20-7/16	31-9/16	21-13/16	21	
	24	AHF(+)-24-(*)-(+)/60-24																
	30	AHF(+)-30-(*)-(+)/60-24																
	36	AHF(+)-36-(*)-(+)/60-24																
36	6	AHF(+)-06-(*)-(+)/60-36																
	9	AHF(+)-09-(*)-(+)/60-36																
	12	AHF(+)-12-(*)-(+)/60-36																
	18	AHF(+)-18-(*)-(+)/60-36	35-11/16	20-5/8	23-13/16	39-5/16	24-3/4	26-3/16	40-1/16	25-11/16	26-11/16	41-1/16	26-13/16	27-3/8	41-15/16	27-13/16	27-15/16	
	24	AHF(+)-24-(*)-(+)/60-36																
	30	AHF(+)-30-(*)-(+)/60-36																
	36	AHF(+)-36-(*)-(+)/60-36																
48	6	AHF(+)-06-(*)-(+)/60-48																
	9	AHF(+)-09-(*)-(+)/60-48																
	12	AHF(+)-12-(*)-(+)/60-48																
	18	AHF(+)-18-(*)-(+)/60-48	46-1/16	26-5/8	30-11/16	49-11/16	30-3/4	33-1/8	50-7/16	31-11/16	33-5/8	51-1/2	32-13/16	34-5/16	52-5/16	33-13/16	34-7/8	
	24	AHF(+)-24-(*)-(+)/60-48																
	30	AHF(+)-30-(*)-(+)/60-48																
	36	AHF(+)-36-(*)-(+)/60-48																

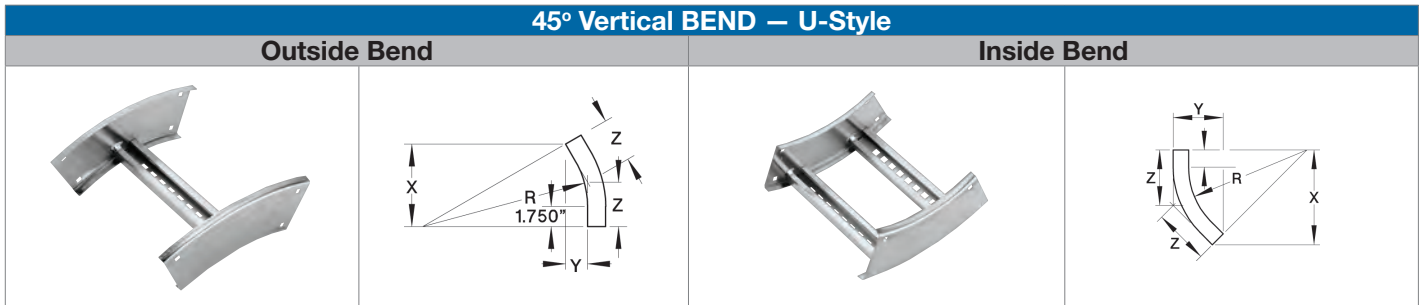
(†) Insert side rail height. (*) Insert bottom style (+) Insert "VO" for vertical outside or "VI" for vertical inside to complete CAT. NO. Includes 1 pair of splice plates with hardware.
 T&B aluminum cable tray is composed of two distinct systems H-Style and U-Style. These systems are interchangeable.

Fittings

45° U-Style Fittings Vertical Bends

Part Numbering System				
AUF-5-24-S-VI45-48				
Fitting material and side rail	Width	Fitting Type	Nominal radius	
Side rail height	Bottom style	Degree		

Selection Guide
Inside Tray Widths: 6, 9, 12, 18, 24, 30, 36, 42
Angle: 45°
Nominal Radius: 12, 24, 36, 48
Bottom Styles: L- Ladder, V- Ventilated, S- Solid
Side Rail Heights: 4 in. – 7 in.



Nominal Radius	Width	Cat. No.	(+ VO Side Rail)			(+ VI Side Rail)											
			4 in. – 7 in.			4 in.			5 in.			6 in.			7 in.		
			X	Y	Z	X	Y	Z	X	Y	Z	X	Y	Z	X	Y	Z
12	6	AUF(†)-06-(*)-(+)45-12															
	9	AUF(†)-09-(*)-(+)45-12															
	12	AUF(†)-12-(*)-(+)45-12															
	18	AUF(†)-18-(*)-(+)45-12															
	24	AUF(†)-24-(*)-(+)45-12															
	30	AUF(†)-30-(*)-(+)45-12															
	36	AUF(†)-36-(*)-(+)45-12															
24	6	AUF(†)-06-(*)-(+)45-24															
	9	AUF(†)-09-(*)-(+)45-24															
	12	AUF(†)-12-(*)-(+)45-24															
	18	AUF(†)-18-(*)-(+)45-24															
	24	AUF(†)-24-(*)-(+)45-24															
	30	AUF(†)-30-(*)-(+)45-24															
	36	AUF(†)-36-(*)-(+)45-24															
36	6	AUF(†)-06-(*)-(+)45-36															
	9	AUF(†)-09-(*)-(+)45-36															
	12	AUF(†)-12-(*)-(+)45-36															
	18	AUF(†)-18-(*)-(+)45-36															
	24	AUF(†)-24-(*)-(+)45-36															
	30	AUF(†)-30-(*)-(+)45-36															
	36	AUF(†)-36-(*)-(+)45-36															
48	6	AUF(†)-06-(*)-(+)45-48															
	9	AUF(†)-09-(*)-(+)45-48															
	12	AUF(†)-12-(*)-(+)45-48															
	18	AUF(†)-18-(*)-(+)45-48															
	24	AUF(†)-24-(*)-(+)45-48															
	30	AUF(†)-30-(*)-(+)45-48															
	36	AUF(†)-36-(*)-(+)45-48															

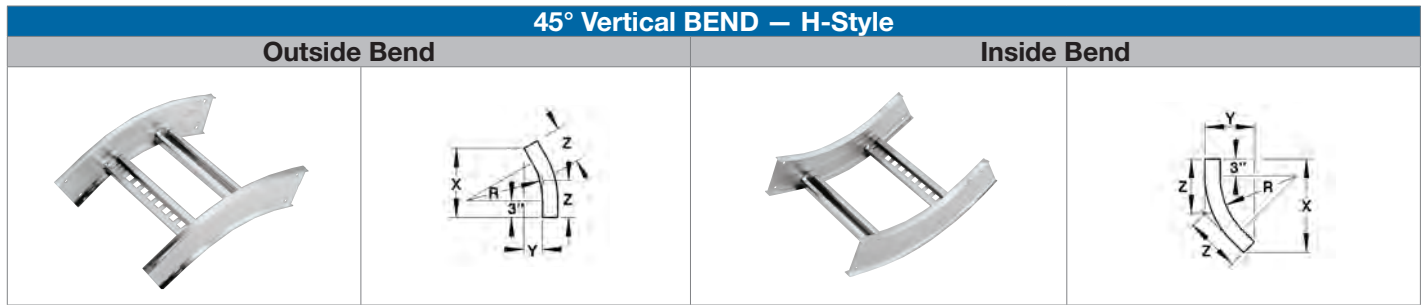
(†) Insert side rail height. (*) Insert bottom style (+) Insert "VO" for vertical outside or "VI" for vertical inside to complete CAT. NO. Includes 1 pair of splice plates with hardware. T&B aluminum cable tray is composed of two distinct systems H-Style and U-Style. These systems are interchangeable.

Fittings

45° H-Style Fittings Vertical Bends

Part Numbering System			
AHF-5-24-S-VI45-48			
Fitting material and side rail	Width	Fitting Type	Nominal radius
Side rail height	Bottom style	Degree	

Selection Guide
Inside Tray Widths: 6, 9, 12, 18, 24, 30, 36, 42
Angle: 45°
Nominal Radius: 12, 24, 36, 48
Bottom Styles: L- Ladder, V- Ventilated, S- Solid
Side Rail Heights: 4 in. – 7 in.



Nominal Radius	Width	Cat. No.	(+ V0 Side Rail)			(+ VI Side Rail)												
			4 in. – 7 in.			4 in.			5 in.			6 in.			7 in.			
			X	Y	Z	X	Y	Z	X	Y	Z	X	Y	Z	X	Y	Z	
12	6	AHF(+)-06-(*)-(+)/45-12																
	9	AHF(+)-09-(*)-(+)/45-12																
	12	AHF(+)-12-(*)-(+)/45-12																
	18	AHF(+)-18-(*)-(+)/45-12	13-5/8	5-5/8	8	16-9/16	9-13/16	9-11/16	17-3/16	10-11/16	10-1/16	18	11-7/8	10-9/16	18-11/16	12-7/8	10-15/16	
	24	AHF(+)-24-(*)-(+)/45-12																
	30	AHF(+)-30-(*)-(+)/45-12																
	36	AHF(+)-36-(*)-(+)/45-12																
24	6	AHF(+)-06-(*)-(+)/45-24																
	9	AHF(+)-09-(*)-(+)/45-24																
	12	AHF(+)-12-(*)-(+)/45-24																
	18	AHF(+)-18-(*)-(+)/45-24	22-1/16	9-1/8	12-15/16	25-1/16	13-5/16	14-11/16	25-11/16	14-1/4	15-1/16	26-1/2	15-3/8	15-1/2	27-3/16	16-3/8	15-15/16	
	24	AHF(+)-24-(*)-(+)/45-24																
	30	AHF(+)-30-(*)-(+)/45-24																
	36	AHF(+)-36-(*)-(+)/45-24																
36	6	AHF(+)-06-(*)-(+)/45-36																
	9	AHF(+)-09-(*)-(+)/45-36																
	12	AHF(+)-12-(*)-(+)/45-36																
	18	AHF(+)-18-(*)-(+)/45-36	30-9/16	12-11/16	17-15/16	33-1/2	16-13/16	19-5/8	34-3/16	17-3/4	20	35	18-7/8	20-1/2	35-11/16	19-7/8	20-7/8	
	24	AHF(+)-24-(*)-(+)/45-36																
	30	AHF(+)-30-(*)-(+)/45-36																
	36	AHF(+)-36-(*)-(+)/45-36																
48	6	AHF(+)-06-(*)-(+)/45-48																
	9	AHF(+)-09-(*)-(+)/45-48																
	12	AHF(+)-12-(*)-(+)/45-48																
	18	AHF(+)-18-(*)-(+)/45-48	39-1/16	16-3/16	22-7/8	42	20-3/8	24-5/8	42-5/8	21-1/4	25	43-1/2	22-7/16	25-7/16	44-3/16	23-3/8	25-7/8	
	24	AHF(+)-24-(*)-(+)/45-48																
	30	AHF(+)-30-(*)-(+)/45-48																
	36	AHF(+)-36-(*)-(+)/45-48																

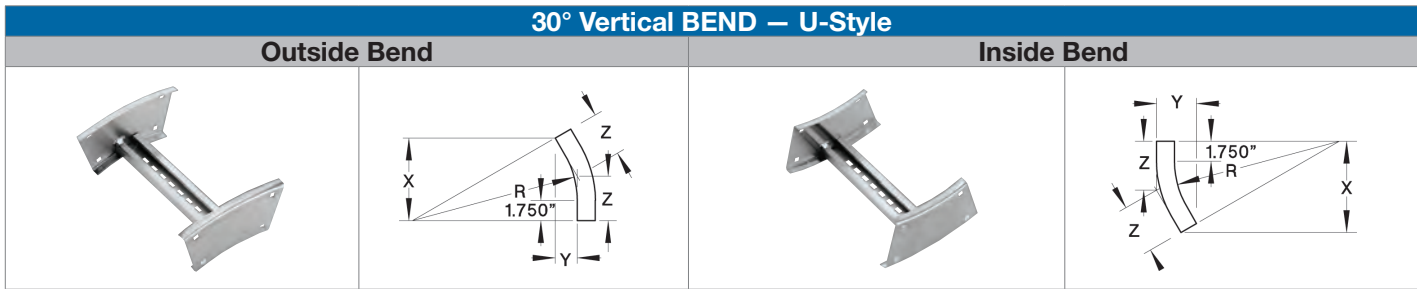
(†) Insert side rail height. (*) Insert bottom style (+) Insert "V0" for vertical outside or "VI" for vertical inside to complete CAT. NO. Includes 1 pair of splice plates with hardware.
 T&B aluminum cable tray is composed of two distinct systems H-Style and U-Style. These systems are interchangeable.

Fittings

30° U-Style Fittings Vertical Bends

Part Numbering System			
AUF-6-12-L-VO30-24			
Fitting material and side rail	Width	Fitting Type	Nominal radius
Side rail height	Bottom style	Degree	

Selection Guide
Inside Tray Widths: 6, 9, 12, 18, 24, 30, 36, 42
Angle: 30°
Nominal Radius: 12, 24, 36, 48
Bottom Styles: L– Ladder, V– Ventilated, S– Solid
Side Rail Heights: 4 in.– 7 in.



Nominal Radius	Width	Cat. No.	(+ VO Side Rail)			(+ VI Side Rail)												
			4 in. – 7 in.			4 in.			5 in.			6 in.			7 in.			
			X	Y	Z	X	Y	Z	X	Y	Z	X	Y	Z	X	Y	Z	
12	6	AUF(+)-06-(*)-(+30-12																
	9	AUF(+)-09-(*)-(+30-12																
	12	AUF(+)-12-(*)-(+30-12																
	18	AUF(+)-18-(*)-(+30-12	9-1/4	2-1/2	4-15/16	11-3/8	6-11/16	6-1/16	11-13/16	7-9/16	6-5/16	12-3/8	8-11/16	6-5/8	12-7/8	9-3/4	6-7/8	
	24	AUF(+)-24-(*)-(+30-12																
	30	AUF(+)-30-(*)-(+30-12																
	42	AUF(+)-42-(*)-(+30-12																
24	6	AUF(+)-06-(*)-(+30-24																
	9	AUF(+)-09-(*)-(+30-24																
	12	AUF(+)-12-(*)-(+30-24																
	18	AUF(+)-18-(*)-(+30-24	15-1/4	4-1/16	8-3/16	17-3/8	8-1/4	9-5/16	17-13/16	9-3/16	9-9/16	18-3/8	10-1/4	9-13/16	18-7/8	11-5/16	10-1/8	
	24	AUF(+)-24-(*)-(+30-24																
	30	AUF(+)-30-(*)-(+30-24																
	42	AUF(+)-42-(*)-(+30-24																
36	6	AUF(+)-06-(*)-(+30-36																
	9	AUF(+)-09-(*)-(+30-36																
	12	AUF(+)-12-(*)-(+30-36																
	18	AUF(+)-18-(*)-(+30-36	21-1/4	5-11/16	11-3/8	23-3/8	9-7/8	12-1/2	23-13/16	10-3/4	12-3/4	24-3/8	11-7/8	13-1/16	24-7/8	12-15/16	13-5/16	
	24	AUF(+)-24-(*)-(+30-36																
	30	AUF(+)-30-(*)-(+30-36																
	42	AUF(+)-42-(*)-(+30-36																
48	6	AUF(+)-06-(*)-(+30-48																
	9	AUF(+)-09-(*)-(+30-48																
	12	AUF(+)-12-(*)-(+30-48																
	18	AUF(+)-18-(*)-(+30-48	21-1/4	7-5/16	14-5/8	29-3/8	11-1/2	15-3/4	29-13/16	12-3/8	16	30-3/8	13-1/2	16-1/4	30-7/8	14-9/16	16-9/16	
	24	AUF(+)-24-(*)-(+30-48																
	30	AUF(+)-30-(*)-(+30-48																
	42	AUF(+)-42-(*)-(+30-48																

(†) Insert side rail height. (*) Insert bottom style (+) Insert "VO" for vertical outside or "VI" for vertical inside to complete CAT. NO. Includes 1 pair of splice plates with hardware. T&B aluminum cable tray is composed of two distinct systems H-Style and U-Style. These systems are interchangeable.

Fittings

30° H-Style Fittings Vertical Bends

Part Numbering System

AHF-6-12-L-VO30-24

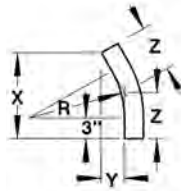


Selection Guide

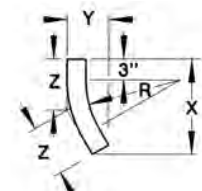
Inside Tray Widths: 6, 9, 12, 18, 24, 30, 36, 42
 Angle: 30°
 Nominal Radius: 12, 24, 36, 48
 Bottom Styles: L- Ladder, V- Ventilated, S- Solid
 Side Rail Heights: 4 in. – 7 in.

30° Vertical BEND – H-Style

Outside Bend



Inside Bend



Nominal Radius	Width	Cat. No.	(+ VO Side Rail			(+ VI Side Rail											
			4 in. – 7 in.			4 in.			5 in.			6 in.			7 in.		
			X	Y	Z	X	Y	Z	X	Y	Z	X	Y	Z	X	Y	Z
12	6	AHF(+)-06-(*)-(+30-12															
	9	AHF(+)-09-(*)-(+30-12															
	12	AHF(+)-12-(*)-(+30-12															
	18	AHF(+)-18-(*)-(+30-12															
	24	AHF(+)-24-(*)-(+30-12	11-5/8	3-1/8	6-3/16	13-11/16	7-5/16	7-5/16	14-1/8	8-3/16	7-9/16	14-11/16	9-3/8	7-7/8	13-11/16	10-5/16	8-1/8
	30	AHF(+)-30-(*)-(+30-12															
	36	AHF(+)-36-(*)-(+30-12															
24	42	AHF(+)-42-(*)-(+30-12															
	6	AHF(+)-06-(*)-(+30-24															
	9	AHF(+)-09-(*)-(+30-24															
	12	AHF(+)-12-(*)-(+30-24															
	18	AHF(+)-18-(*)-(+30-24															
	24	AHF(+)-24-(*)-(+30-24	17-5/8	4-11/16	9-7/16	19-11/16	8-7/8	10-9/16	20-1/8	9-13/16	10-13/16	20-11/16	10-15/16	11-1/8	19-11/16	11-15/16	11-3/8
	30	AHF(+)-30-(*)-(+30-24															
36	36	AHF(+)-36-(*)-(+30-24															
	42	AHF(+)-42-(*)-(+30-24															
	6	AHF(+)-06-(*)-(+30-36															
	9	AHF(+)-09-(*)-(+30-36															
	12	AHF(+)-12-(*)-(+30-36															
	18	AHF(+)-18-(*)-(+30-36															
	24	AHF(+)-24-(*)-(+30-36	23-5/8	6-5/16	12-5/8	25-11/16	10-1/2	13-6/8	26-1/8	11-3/8	14	26-11/16	12-9/16	14-5/16	25-11/16	13-9/16	14-9/16
48	30	AHF(+)-30-(*)-(+30-36															
	36	AHF(+)-36-(*)-(+30-36															
	42	AHF(+)-42-(*)-(+30-36															
	6	AHF(+)-06-(*)-(+30-48															
	9	AHF(+)-09-(*)-(+30-48															
	12	AHF(+)-12-(*)-(+30-48															
	18	AHF(+)-18-(*)-(+30-48	29-5/8	7-15/16	15-7/8	31-11/16	12-1/8	17	32-1/8	13	17-1/4	32-11/16	14-3/16	17-9/16	31-11/16	15-1/8	17-13/16

(†) Insert side rail height. (*) Insert bottom style (+) Insert "VO" for vertical outside or "VI" for vertical inside to complete CAT. NO. Includes 1 pair of splice plates with hardware.
 T&B aluminum cable tray is composed of two distinct systems H-Style and U-Style. These systems are interchangeable.

Fittings

U-Style Fittings Vertical Tees Up/Down

Part Numbering System

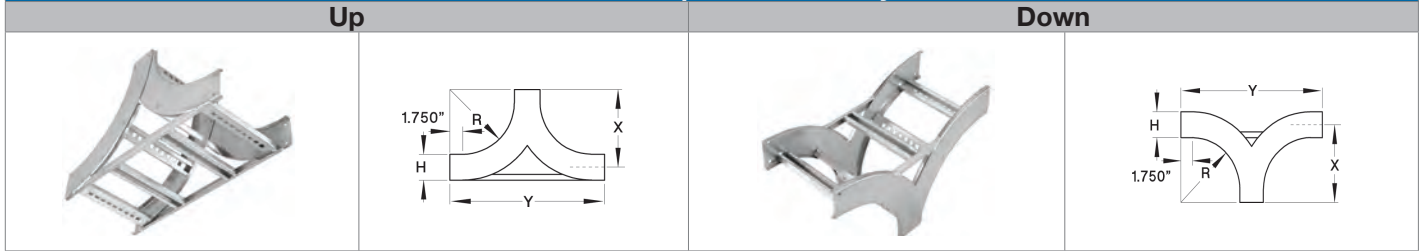
AUF-6-24-L-VTD-12



Selection Guide

Inside Tray Widths: 6, 9, 12, 18, 24, 30, 36, 42
 Nominal Radius: 12, 24, 36, 48
 Bottom Styles: L– Ladder, V– Ventilated, S– Solid
 Side Rail Heights: 4 in.– 7 in.

Vertical Tee Up/Down – U-Style



Nominal		Cat. No.	Cat. No.	Side Rail Height "H"							
				4 in.		5 in.		6 in.		7 in.	
Radius	Width			X	Y	X	Y	X	Y	X	Y
12	6	AUF(†)-06-(*)-VTU12	AUF(†)-06-(*)-VTD12	15-13/16	31-11/16	16-5/16	32-9/16	16-7/8	33-3/4	17-3/8	34-3/4
	9	AUF(†)-09-(*)-VTU12	AUF(†)-09-(*)-VTD12								
	12	AUF(†)-12-(*)-VTU12	AUF(†)-12-(*)-VTD12								
	18	AUF(†)-18-(*)-VTU12	AUF(†)-18-(*)-VTD12								
	24	AUF(†)-24-(*)-VTU12	AUF(†)-24-(*)-VTD12								
	30	AUF(†)-30-(*)-VTU12	AUF(†)-30-(*)-VTD12								
	36	AUF(†)-36-(*)-VTU12	AUF(†)-36-(*)-VTD12								
24	6	AUF(†)-06-(*)-VTU24	AUF(†)-06-(*)-VTD24	27-13/16	55-11/16	28-5/16	56-9/16	28-7/8	57-3/4	29-3/8	58-3/4
	9	AUF(†)-09-(*)-VTU24	AUF(†)-09-(*)-VTD24								
	12	AUF(†)-12-(*)-VTU24	AUF(†)-12-(*)-VTD24								
	18	AUF(†)-18-(*)-VTU24	AUF(†)-18-(*)-VTD24								
	24	AUF(†)-24-(*)-VTU24	AUF(†)-24-(*)-VTD24								
	30	AUF(†)-30-(*)-VTU24	AUF(†)-30-(*)-VTD24								
	36	AUF(†)-36-(*)-VTU24	AUF(†)-36-(*)-VTD24								
36	6	AUF(†)-06-(*)-VTU36	AUF(†)-06-(*)-VTD36	39-13/16	79-11/16	40-5/16	80-9/16	40-7/8	81-3/4	41-3/8	82-3/4
	9	AUF(†)-09-(*)-VTU36	AUF(†)-09-(*)-VTD36								
	12	AUF(†)-12-(*)-VTU36	AUF(†)-12-(*)-VTD36								
	18	AUF(†)-18-(*)-VTU36	AUF(†)-18-(*)-VTD36								
	24	AUF(†)-24-(*)-VTU36	AUF(†)-24-(*)-VTD36								
	30	AUF(†)-30-(*)-VTU36	AUF(†)-30-(*)-VTD36								
	36	AUF(†)-36-(*)-VTU36	AUF(†)-36-(*)-VTD36								
48	6	AUF(†)-06-(*)-VTU48	AUF(†)-06-(*)-VTD48	51-13/16	103-11/16	52-5/16	104-9/16	52-7/8	105-3/4	53-3/8	106-3/4
	9	AUF(†)-09-(*)-VTU48	AUF(†)-09-(*)-VTD48								
	12	AUF(†)-12-(*)-VTU48	AUF(†)-12-(*)-VTD48								
	18	AUF(†)-18-(*)-VTU48	AUF(†)-18-(*)-VTD48								
	24	AUF(†)-24-(*)-VTU48	AUF(†)-24-(*)-VTD48								
	30	AUF(†)-30-(*)-VTU48	AUF(†)-30-(*)-VTD48								
	36	AUF(†)-36-(*)-VTU48	AUF(†)-36-(*)-VTD48								
42	AUF(†)-42-(*)-VTU48	AUF(†)-42-(*)-VTD48									

(†) Insert side rail height. (*) Insert bottom style to complete CAT. NO. Includes 2 pairs of splice plates with hardware.
 T&B aluminum cable tray is composed of two distinct systems H-Style and U-Style. These systems are interchangeable.

Fittings

H-Style Fittings Vertical Tees Up/Down

Part Numbering System

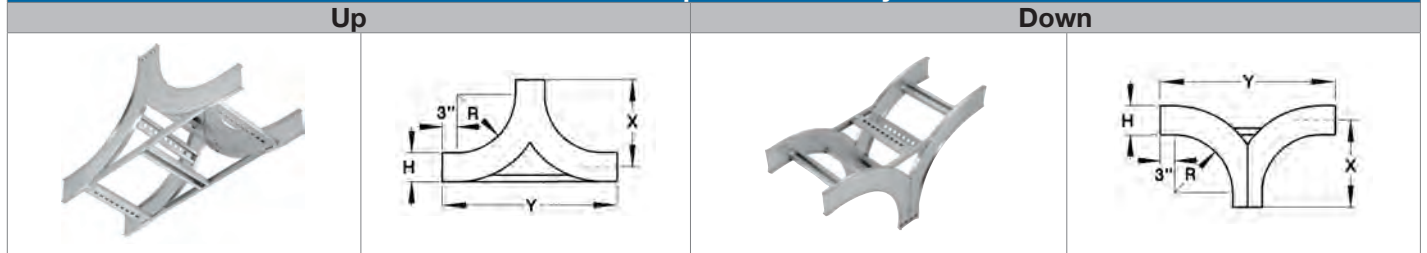
AHF-6-24-L-VTD-12

Fitting material and side rail side rail height
 Width
 Bottom style
 Fitting Type
 Nominal radius

Selection Guide

Inside Tray Widths: 6, 9, 12, 18, 24, 30, 36, 42
 Nominal Radius: 12, 24, 36, 48
 Bottom Styles: L– Ladder, V– Ventilated, S– Solid
 Side Rail Heights: 4 in.– 7 in.

Vertical Tee Up/Down – H-Style



Nominal Radius	Width	Cat. No.	Cat. No.	Side Rail Height "H"							
				4 in.		5 in.		6 in.		7 in.	
				X	Y	X	Y	X	Y	X	Y
12	6	AHF(t)-06-(*)-VTU12	AHF(t)-06-(*)-VTD12	17-1/16	34-3/16	17-9/16	35-1/16	18-1/8	36-1/4	18-5/8	37-1/4
	9	AHF(t)-09-(*)-VTU12	AHF(t)-09-(*)-VTD12								
	12	AHF(t)-12-(*)-VTU12	AHF(t)-12-(*)-VTD12								
	18	AHF(t)-18-(*)-VTU12	AHF(t)-18-(*)-VTD12								
	24	AHF(t)-24-(*)-VTU12	AHF(t)-24-(*)-VTD12								
	30	AHF(t)-30-(*)-VTU12	AHF(t)-30-(*)-VTD12								
	36	AHF(t)-36-(*)-VTU12	AHF(t)-36-(*)-VTD12								
24	6	AHF(t)-06-(*)-VTU24	AHF(t)-06-(*)-VTD24	29-1/16	58-3/16	29-9/16	59-1/16	30-1/8	60-1/4	30-5/8	61-1/4
	9	AHF(t)-09-(*)-VTU24	AHF(t)-09-(*)-VTD24								
	12	AHF(t)-12-(*)-VTU24	AHF(t)-12-(*)-VTD24								
	18	AHF(t)-18-(*)-VTU24	AHF(t)-18-(*)-VTD24								
	24	AHF(t)-24-(*)-VTU24	AHF(t)-24-(*)-VTD24								
	30	AHF(t)-30-(*)-VTU24	AHF(t)-30-(*)-VTD24								
	36	AHF(t)-36-(*)-VTU24	AHF(t)-36-(*)-VTD24								
36	6	AHF(t)-06-(*)-VTU36	AHF(t)-06-(*)-VTD36	41-1/16	82-3/16	41-9/16	83-1/16	42-1/8	84-1/4	42-5/8	85-1/4
	9	AHF(t)-09-(*)-VTU36	AHF(t)-09-(*)-VTD36								
	12	AHF(t)-12-(*)-VTU36	AHF(t)-12-(*)-VTD36								
	18	AHF(t)-18-(*)-VTU36	AHF(t)-18-(*)-VTD36								
	24	AHF(t)-24-(*)-VTU36	AHF(t)-24-(*)-VTD36								
	30	AHF(t)-30-(*)-VTU36	AHF(t)-30-(*)-VTD36								
	36	AHF(t)-36-(*)-VTU36	AHF(t)-36-(*)-VTD36								
48	6	AHF(t)-06-(*)-VTU48	AHF(t)-06-(*)-VTD48	53-1/16	106-3/16	53-9/16	107-1/16	54-1/8	108-1/4	54-5/8	109-1/4
	9	AHF(t)-09-(*)-VTU48	AHF(t)-09-(*)-VTD48								
	12	AHF(t)-12-(*)-VTU48	AHF(t)-12-(*)-VTD48								
	18	AHF(t)-18-(*)-VTU48	AHF(t)-18-(*)-VTD48								
	24	AHF(t)-24-(*)-VTU48	AHF(t)-24-(*)-VTD48								
	30	AHF(t)-30-(*)-VTU48	AHF(t)-30-(*)-VTD48								
	36	AHF(t)-36-(*)-VTU48	AHF(t)-36-(*)-VTD48								

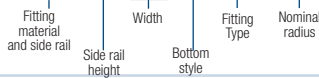
(t) Insert side rail height. (*) Insert bottom style to complete CAT. NO. Includes 2 pairs of splice plates with hardware.
 T&B aluminum cable tray is composed of two distinct systems H-Style and U-Style. These systems are interchangeable.

Fittings

U-Style Fittings Cable Support

Part Numbering System

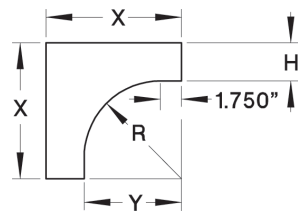
AUF-5-24-V-CS-12



Selection Guide

Inside Tray Widths: 6, 9, 12, 18, 24, 30, 36, 42
 Nominal Radius: 12, 24, 36, 48
 Bottom Styles: L- Ladder, V- Ventilated, S- Solid
 Side Rail Heights: 4 in.- 7 in.

Cable Support Fitting - U-Style



Nominal		Cat. No.	Side Rail Height "H"							
			4 in.		5 in.		6 in.		7 in.	
Radius	Width		X	Y	X	Y	X	Y	X	Y
12	6	AUF(†)-06-(*)-CS12	17-15/16	13-3/4	18-13/16	13-3/4	20	13-3/4	21	13-3/4
	9	AUF(†)-09-(*)-CS12								
	12	AUF(†)-12-(*)-CS12								
	18	AUF(†)-18-(*)-CS12								
	24	AUF(†)-24-(*)-CS12								
	30	AUF(†)-30-(*)-CS12								
	36	AUF(†)-36-(*)-CS12								
42	AUF(†)-42-(*)-CS12									
24	6	AUF(†)-06-(*)-CS24	29-15/16	25-3/4	30-13/16	25-3/4	32	25-3/4	33	25-3/4
	9	AUF(†)-09-(*)-CS24								
	12	AUF(†)-12-(*)-CS24								
	18	AUF(†)-18-(*)-CS24								
	24	AUF(†)-24-(*)-CS24								
	30	AUF(†)-30-(*)-CS24								
	36	AUF(†)-36-(*)-CS24								
42	AUF(†)-42-(*)-CS24									
36	6	AUF(†)-06-(*)-CS36	41-15/16	37-3/4	42-13/16	37-3/4	44	37-3/4	45	37-3/4
	9	AUF(†)-09-(*)-CS36								
	12	AUF(†)-12-(*)-CS36								
	18	AUF(†)-18-(*)-CS36								
	24	AUF(†)-24-(*)-CS36								
	30	AUF(†)-30-(*)-CS36								
	36	AUF(†)-36-(*)-CS36								
42	AUF(†)-42-(*)-CS36									
48	6	AUF(†)-06-(*)-CS48	53-15/16	49-3/4	54-13/16	49-3/4	56	49-3/4	57	49-3/4
	9	AUF(†)-09-(*)-CS48								
	12	AUF(†)-12-(*)-CS48								
	18	AUF(†)-18-(*)-CS48								
	24	AUF(†)-24-(*)-CS48								
	30	AUF(†)-30-(*)-CS48								
	36	AUF(†)-36-(*)-CS48								
42	AUF(†)-42-(*)-CS48									

(†) Insert side rail height. (*) Insert bottom style to complete CAT. NO. Includes 1 pair of splice plates with hardware.
 T&B aluminum cable tray is composed of two distinct systems H-Style and U-Style. These systems are interchangeable.

Fittings

H-Style Fittings Cable Support

Part Numbering System

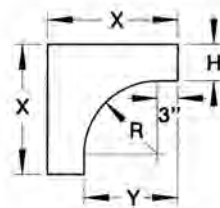
AHF-5-24-V-CS-12

Fitting material and side rail | Side rail height | Width | Bottom style | Fitting Type | Nominal radius

Selection Guide

Inside Tray Widths: 6, 9, 12, 18, 24, 30, 36, 42
 Nominal Radius: 12, 24, 36, 48
 Bottom Styles: L- Ladder, V- Ventilated, S- Solid
 Side Rail Heights: 4 in.- 7 in.

Cable Support Fitting - H-Style



Nominal		Cat. No.	Side Rail Height "H"							
Radius	Width		4 in.		5 in.		6 in.		7 in.	
			X	Y	X	Y	X	Y	X	Y
12	6	AHF(†)-06-(*)-CS12	19-3/16	15	20-1/16	15	21-1/4	15	22-1/4	15
	9	AHF(†)-09-(*)-CS12								
	12	AHF(†)-12-(*)-CS12								
	18	AHF(†)-18-(*)-CS12								
	24	AHF(†)-24-(*)-CS12								
	30	AHF(†)-30-(*)-CS12								
	36	AHF(†)-36-(*)-CS12								
24	42	AHF(†)-42-(*)-CS12	31-3/16	27	32-1/16	27	33-1/4	27	34-1/4	27
	6	AHF(†)-06-(*)-CS24								
	9	AHF(†)-09-(*)-CS24								
	12	AHF(†)-12-(*)-CS24								
	18	AHF(†)-18-(*)-CS24								
	24	AHF(†)-24-(*)-CS24								
36	30	AHF(†)-30-(*)-CS24	43-3/16	39	44-1/16	39	45-1/4	39	46-1/4	39
	36	AHF(†)-36-(*)-CS24								
	42	AHF(†)-42-(*)-CS24								
	6	AHF(†)-06-(*)-CS36								
	9	AHF(†)-09-(*)-CS36								
	12	AHF(†)-12-(*)-CS36								
48	18	AHF(†)-18-(*)-CS36	55-3/16	51	56-1/16	51	57-1/4	51	58-1/4	51
	24	AHF(†)-24-(*)-CS36								
	30	AHF(†)-30-(*)-CS36								
	36	AHF(†)-36-(*)-CS36								
	42	AHF(†)-42-(*)-CS36								
	6	AHF(†)-06-(*)-CS48								
	9	AHF(†)-09-(*)-CS48								
12	AHF(†)-12-(*)-CS48									
18	AHF(†)-18-(*)-CS48									
24	AHF(†)-24-(*)-CS48									
30	AHF(†)-30-(*)-CS48									
36	AHF(†)-36-(*)-CS48									
42	AHF(†)-42-(*)-CS48									

(†) Insert side rail height. (*) Insert bottom style to complete CAT. NO. Includes 1 pair of splice plates with hardware.
 T&B aluminum cable tray is composed of two distinct systems H-Style and U-Style. These systems are interchangeable.

Fittings

Helix® Cable Tray Fitting



The Helix® cable tray fitting. Efficiency is in its DNA.

Go from horizontal to vertical, maximum cable protection, minimum space.

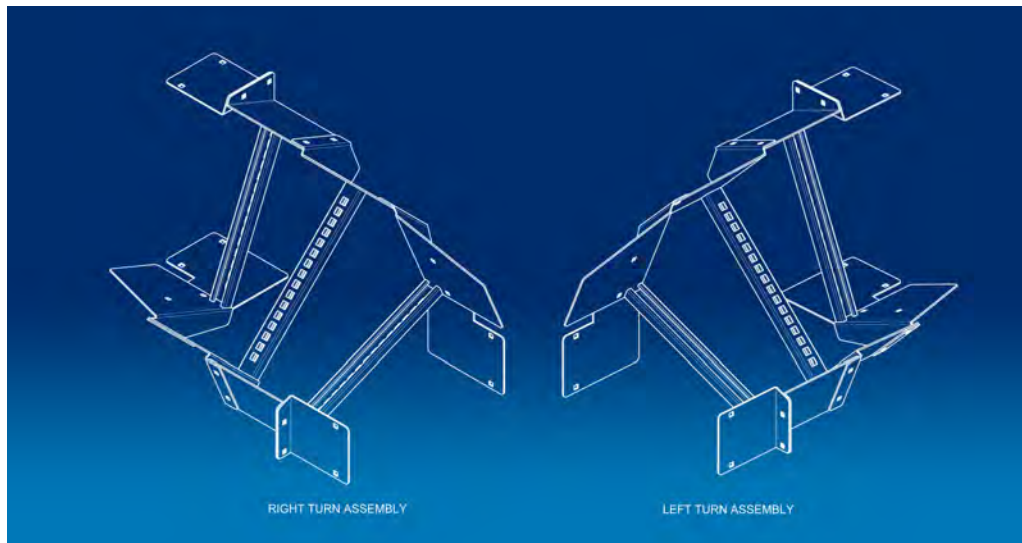
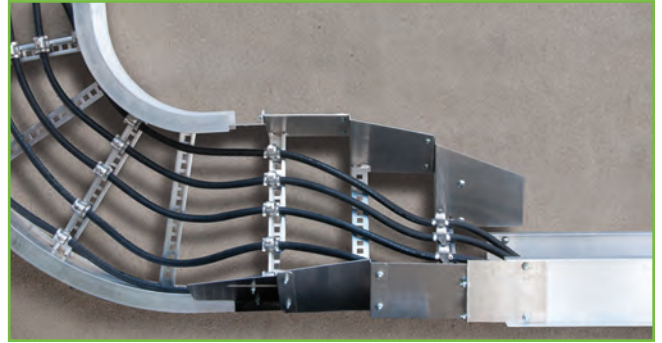
Making transitions from horizontal to vertical cable tray runs has never been easier or more efficient. The latest evolution in cable tray fittings, the Helix® fitting assembly was developed specifically for use in confined areas. It allows installers to transition from horizontal to vertical surfaces in less time, using significantly less space.

- Enables installation close to walls and other surfaces, eliminating need for distance
- Provides enhanced cable protection in confined spaces
- Secures cables within fitting for clean, organized cable runs



Fittings

Helix® Cable Tray Fitting



Cat. No.	Material	Side Rail (in.)	Width (in.)	Direction
AUF612LHVR	Aluminum	6	12	Right turn
AUF612LHVL				Left turn
AUF624LHVR			24	Right turn
AUF624LHVL				Left turn

Supports should be positioned within 24" (610 mm) of each Helix® fitting extremity.