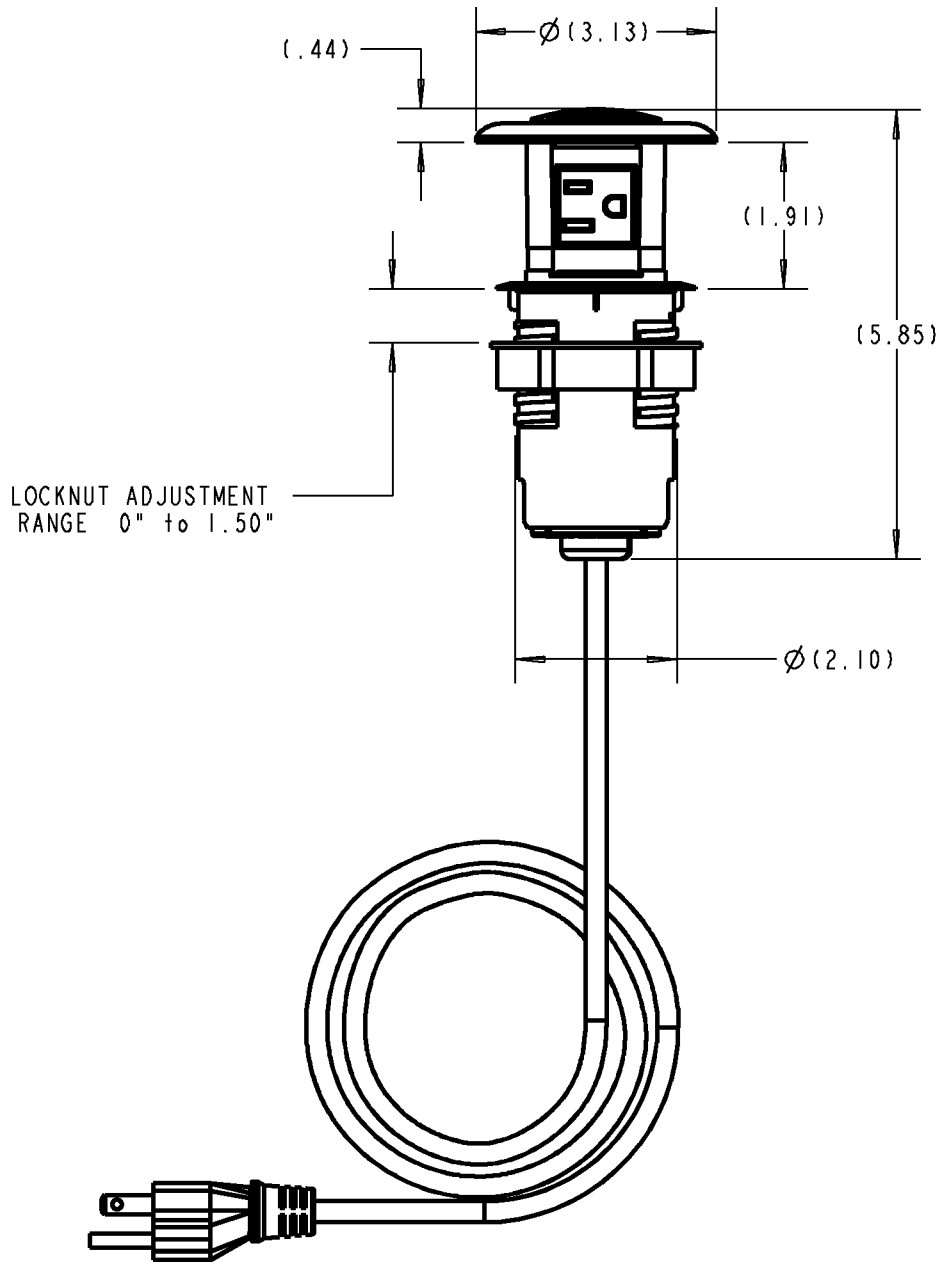




Carlton®



SCALE 0.400

NOTES:

1. ELECTRICAL RATING 120 VAC, 12 AMPS MAX.
2. cULus LISTED, UL FILE NO. E340129
3. REQUIRED INSTALLATION HOLE 2.25" DIAMETER.
4. INCLUDES 6' LONG AC POWER CORD.
5. 1.50" MAXIMUM SURFACE THICKNESS.
6. REQUIRES A Ø2.25" MOUNTING HOLE.
7. HOUSING MATERIAL - BLACK POLYCARBONATE

CAT. NO. RWSR

GENERAL NOTES		Thomas & Betts <small>www.tnb.com</small>			
1. ALL DIMENSIONS ARE FOR REFERENCE ONLY. 2. DIMENSIONS IN BRACKETS [] ARE IN METRIC UNITS.					
REVISIONS		DESCRIPTION: RETRACTABLE WORK SURFACE RECEPTACLE			
1. SEE ERN 2014341 FOR APPROVAL SIGNATURES & RELEASE DATE. PROJECT NO: 003M000283					
ORIGINAL PROJECT NO / (ERN NO)		SHEET NO:	REV. NO:	DRAWING NO:	
5A10001 / (2012729)		1 OF 1	1	WSD-000605	