

Plastic Universal Shelf Bracket

APPLICATION

The Leviton Plastic Universal Bracket allows for integration of active gear into any of Leviton 14", 21", 28", or 42" Structured Media™ Center. The bracket provides convenient means to mount a modem, router, storage, or other active gear within the enclosure. The bracket kit includes a 30-inch roll of VELCRO® Brand hook and loop, along with two saddle ties, providing flexible options to secure active gear.



SPECIFICATION

Plastic Universal Shelf Bracket shall be molded of polycarbonate plastic, rated UL 94 V-2. The shelf bracket design shall include multiple tie-down points to maximize device placement options. The bracket shall mount into any Leviton 14", 21", 28", or 42" Structured Media™ Center. The bracket shall provide clearance for cables to pass behind the bracket vertically. Two brackets shall fit side-by-side within an enclosure. Two saddle ties and 30 inches of VELCRO Brand hook and loop shall be included with each bracket.

FEATURES

- Allows router or other products to be mounted inside any Leviton Structured Media Center, and accommodates the widest variety of active gear
- Compatible with plastic and metal Leviton Structured Media Centers
- Installed shelf bracket provides clearance for cables to pass behind bracket
- One-piece design provides a sturdy mounting option that's easy to install
- Spring loaded legs support the weight of typical networking equipment
- Vertical and horizontal slots on the bracket accommodate VELCRO® Brand strips (included), ensuring vertical and horizontal stability

DESIGN CONSIDERATIONS

- Can mount two shelf brackets side by side to create a full-length shelf
- Can be installed in both Leviton plastic and metal Structured Media Centers

STANDARDS COMPLIANCE

- RoHS

PHYSICAL SPECIFICATIONS

Dimensions: See page two

Materials: Polycarbonate, white

COUNTRY OF ORIGIN

USA

WARRANTY INFORMATION

For a copy of Leviton product warranties, visit www.leviton.com/warranty.

Leviton Network Solutions

2222 - 222nd St. SE
Bothell, WA 98021-4416

tel 1-800-824-3005
tel +1-425-486-2222
appeng@leviton.com
www.leviton.com

Asia / Pacific

T +1.631.812.6228
E infoasean@leviton.com

Europe

T +44.0.1592.772124
E customerserviceeu@leviton.com

Canada

T +1.514.954.1840
E pcservice@leviton.com

Mexico

T +52.55.5082.1040
E lsamarketing@leviton.com

Caribbean

T +1.954.593.1896
E infocaribbean@leviton.com

Middle East & Africa

T +971.4.247.9800
E lmeinfo@leviton.com

China

T +852.2774.9876
E infochina@leviton.com

South Korea

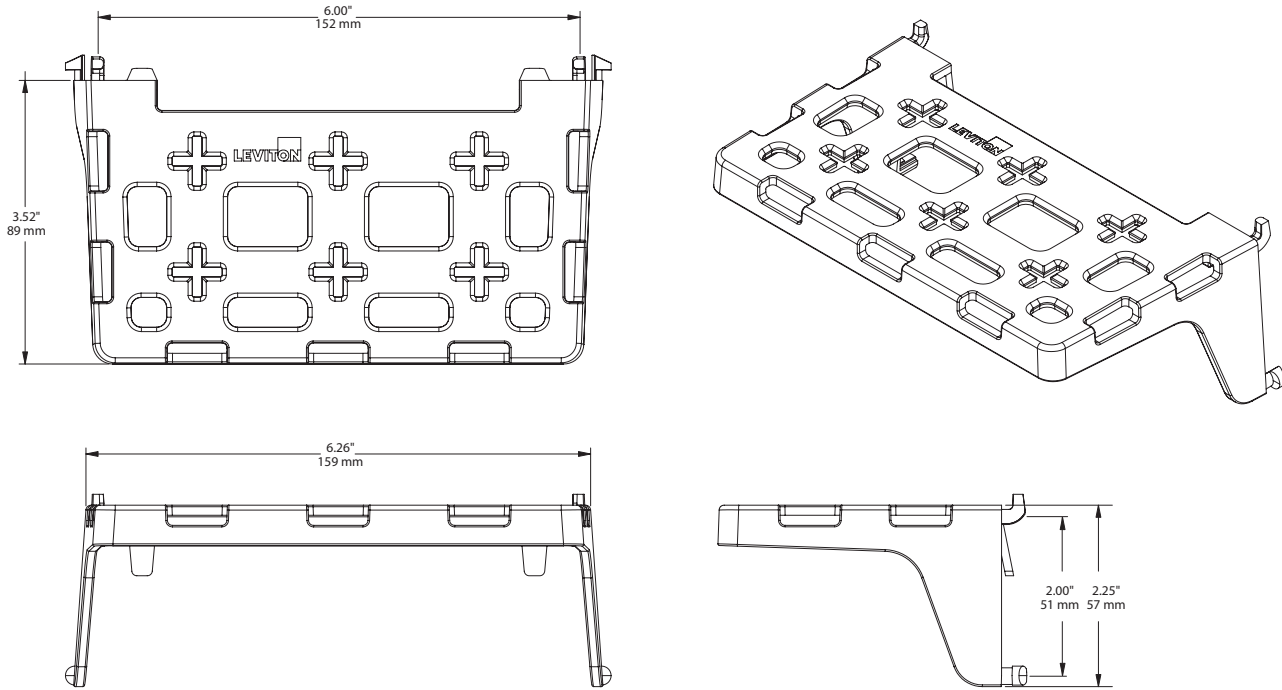
T +82.2.3273.9963
E infokorea@leviton.com

Colombia

T +57.1.743.6045
E infocolombia@leviton.com

ELECTRONIC FILES

For CAD files, typical specs, or technical drawings (.DXF, .DWG), visit www.leviton.com.



49605-AUB

PART NUMBERS

Description

Part No.

Plastic Universal Shelf Bracket,
 includes two saddle ties and 30-Inch VELCRO® Brand strips

49605-AUB



Leviton Network Solutions

2222 - 222nd St. SE
 Bothell, WA 98021-4416

Asia / Pacific
 T +1.631.812.6228
 E infoasean@leviton.com

Canada
 T +1.514.954.1840
 E pcservice@leviton.com

Caribbean
 T +1.954.593.1896
 E infocaribbean@leviton.com

China
 T +852.2774.9876
 E infochina@leviton.com

Colombia
 T +57.1.743.6045
 E infocolombia@leviton.com

tel 1-800-824-3005
 tel +1-425-486-2222
 appeng@leviton.com
 www.leviton.com

Europe
 T +44.0.1592.772124
 E customerserviceeu@leviton.com

Mexico
 T +52.55.5082.1040
 E lsamarketing@leviton.com

Middle East & Africa
 T +971.4.247.9800
 E lmeinfo@leviton.com

South Korea
 T +82.2.3273.9963
 E infokorea@leviton.com