

Grommet Accessory Pack

APPLICATION

Grommets provide protection for incoming cables through knockouts on Leviton Structured Media™ Center enclosures. Grommets can be cut to accommodate differing cable sizes and opening requirements.



STANDARDS COMPLIANCE

- RoHS

PHYSICAL SPECIFICATIONS

Dimensions: See below
Materials: Rubber, black

COUNTRY OF ORIGIN

USA

WARRANTY INFORMATION

For a copy of Leviton product warranties, visit www.leviton.com/warranty.

ELECTRONIC FILES

For CAD files, typical specs, or technical drawings (.DXF, .DWG), visit www.leviton.com.

SPECIFICATION

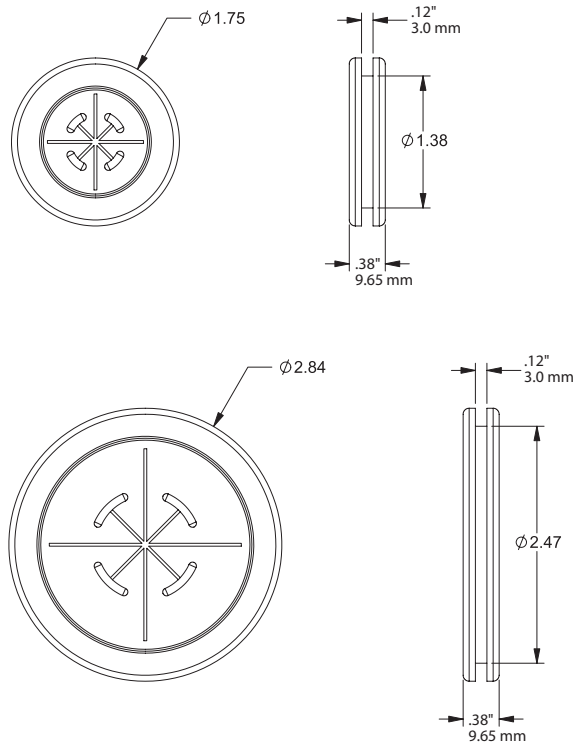
Grommets shall be made of black rubber. Grommets shall fit one- and two-inch knockouts on Leviton Structured Media Centers. Grommets shall be scored for small or large openings to be cut.

FEATURES

- Pack includes grommets for one- and two-inch knockouts
- Guided score lines on grommets make it easy to cut openings for cables

DESIGN CONSIDERATIONS

- Grommets fit in one- and two-inch knockouts in Structured Media Centers



PART NUMBERS

Description	Part No.
Grommet Accessory Pack, three 1-inch and two 2-inch grommets per pack	49605-GRM

Leviton Network Solutions

2222 - 222nd St. SE
Bothell, WA 98021-4416

tel 1-800-824-3005
tel +1-425-486-2222
appeng@leviton.com
www.leviton.com

Asia / Pacific

T +1.631.812.6228
E infoasean@leviton.com

Europe

T +44.0.1592.772124
E customerserviceeu@leviton.com

Canada

T +1.514.954.1840
E pcservice@leviton.com

Mexico

T +52.55.5082.1040
E lsamarketing@leviton.com

Caribbean

T +1.954.593.1896
E infocaribbean@leviton.com

Middle East & Africa

T +971.4.247.9800
E lmeinfo@leviton.com

China

T +852.2774.9876
E infochina@leviton.com

South Korea

T +82.2.3273.9963
E infokorea@leviton.com

Colombia

T +57.1.743.6045
E infocolombia@leviton.com