

Multi-Bay Attachment Tube

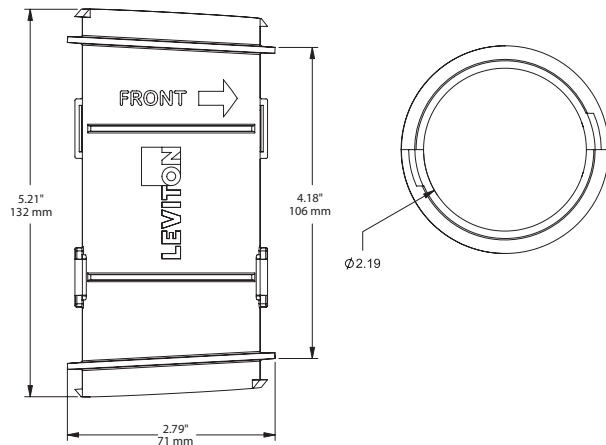
APPLICATION

The Multi-Bay Attachment Tube joins two or more Leviton Wireless Structured Media™ Center Enclosures to create a multi-bay enclosure system. It provides flexibility to accommodate installations that have more components than a single enclosure can hold, or applications where there is a need to separate provider and customer equipment.



SPECIFICATION

Multi-Bay Attachment Tube shall be molded from white flame-retardant ABS, rated UL 94 V-0. Tube shall install into two-inch knockouts of Leviton Wireless Structured Media Centers, allowing two such enclosures to be joined. Tube shall allow for easy passthrough of communications cabling.



FEATURES

- Installs easily using integrated arrows for direction
- Installs in two-inch knockouts at top or bottom of any size Wireless Structured Media Center

DESIGN CONSIDERATIONS

- Allows for passthrough of cables

STANDARDS COMPLIANCE

- RoHS

PHYSICAL SPECIFICATIONS

Dimensions: See below

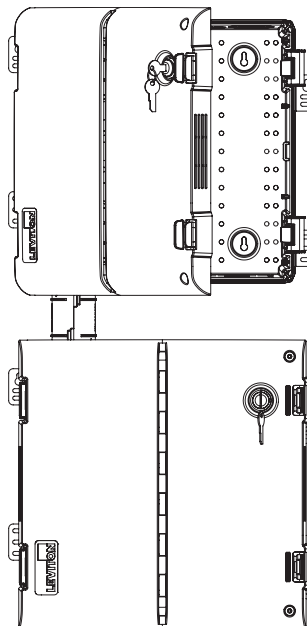
Materials: ABS plastic, white, UL 94 V-0

COUNTRY OF ORIGIN

USA

WARRANTY INFORMATION

For a copy of Leviton product warranties, visit www.leviton.com/warranty.



Two 14" Wireless Structured Media Centers joined by the Multi-Bay Attachment Tube

PART NUMBERS

Description

Part No.

Multi-Bay Attachment Tube for Wireless Structured Media Centers

49605-TUB

Page 1 of 1

H19 7600



Leviton Network Solutions

2222 - 222nd St. SE
Bothell, WA 98021-4416

tel 1-800-824-3005
tel +1-425-486-2222
appeng@leviton.com
www.leviton.com

Asia / Pacific

T +1.631.812.6228
E infoasean@leviton.com

Europe

T +44.0.1592.772124
E customerserviceeu@leviton.com

Canada

T +1.514.954.1840
E pcservice@leviton.com

Mexico

T +52.55.5082.1040
E lsamarketing@leviton.com

Caribbean

T +1.954.593.1896
E infocaribbean@leviton.com

Middle East & Africa

T +971.4.247.9800
E lmeinfo@leviton.com

China

T +852.2774.9876
E infochina@leviton.com

South Korea

T +82.2.3273.9963
E infokorea@leviton.com

Colombia

T +57.1.743.6045
E infocolombia@leviton.com