

SHC

CONVECTOR



EFFICIENT HEATING

Our SHC convector has pleasing rounded sides and beautiful modern lines. It is available with or without an ultra-accurate built-in electronic thermostat, so you can choose the level of control you want. This attractive unit is available in two colours and many voltages making it suitable for both commercial and residential applications. A real gem!

EXCELLENT VALUE

TOTALLY QUIET

BUILT-IN ELECTRONIC THERMOSTAT (OPTIONAL) WITH A BACKLIT SCREEN

ADAPTS TO MULTIPLE MARKETS AVAILABLE IN: 120 V, 208 V, 240 V, 347 V AND 600 V

COLOURS

- **standard:** white, soft white
- **luxury finish:** stainless steel (see price list)
- **Orora (optional):** refer to www.stelpro.com/en-CA/Orora

FINISH

- epoxy-polyester powdercoat or stainless steel

MANUFACTURING

- 22-gauge steel cabinet and 20-gauge steel front
- the cabinet height improves the chimney effect
- bottom air intake and front air discharge
- 6 ft (2 m) 16 gage molded cable with 3-prong grounded, 120 V plug (SHC1501P model)

ELEMENTS

- two stainless steel tubular sheathed elements insulated with nylon sleeves to reduce expansion and contraction noises

CONTROL

- electronic thermostat required: built-in electronic thermostat with LCD screen (optional) or electronic wall thermostat (not included)

INSTALLATION

- surface mounted only
- wall mounted at least 4 in. from the floor
- concealed mounting bracket (included)
- back entry plate with cable clamps (included)

WARRANTY

- five years, *three years on electronic components



ALSO AVAILABLE
QUICK PLUG-IN INTO RESIDENTIAL
120 V OUTLET

IDEAL FOR:

kitchen, living room, bedroom, office, basement,
commercial space

°STELPRO

Stelpro reserves the right to modify descriptions, manufacturing specifications or prices without prior notice. No returns accepted on optional-colour products. For all the latest models and prices, please refer to our website at www.stelpro.com.



TECHNICAL SPECIFICATIONS

BUILT-IN THERMOSTAT	PRICE		WITHOUT THERMOSTAT	PRICE		POWER	VOLTAGE	HEIGHT		LENGTH		WEIGHT	
	CODE	W OR SW		SS	CODE			W OR SW	SS	WATTS	VOLTS	MM	IN.
SHC0501	213.00	320.00	SHC0501WC	172.00	279.00	500	120	446	17 9/16	440	17 5/16	5.1	11.2
SHC0508	213.00	320.00	SHC0508WC	172.00	279.00	500	208	446	17 9/16	440	17 5/16	5.1	11.2
SHC0502	182.00	289.00	SHC0502WC	141.00	248.00	500/375	240/208	446	17 9/16	440	17 5/16	5.1	11.2
---	---	---	SHC0503WC	226.00	333.00	500	347	446	17 9/16	440	17 5/16	5.1	11.2
SHC1001	226.00	333.00	SHC1001WC	185.00	292.00	1000	120	446	17 9/16	581	22 7/8	6.0	13.3
SHC1008	226.00	333.00	SHC1008WC	185.00	292.00	1000	208	446	17 9/16	581	22 7/8	6.0	13.3
SHC1002	195.00	302.00	SHC1002WC	154.00	261.00	1000/750	240/208	446	17 9/16	581	22 7/8	6.0	13.3
---	---	---	SHC1003WC	239.00	346.00	1000	347	446	17 9/16	581	22 7/8	6.0	13.3
---	---	---	SHC1006WC	239.00	346.00	1000	600	446	17 9/16	581	22 7/8	6.0	13.3
SHC1501	237.00	344.00	SHC1501WC	196.00	303.00	1500	120	446	17 9/16	727	28 5/8	7.1	15.7
SHC1508	237.00	344.00	SHC1508WC	196.00	303.00	1500	208	446	17 9/16	727	28 5/8	7.1	15.7
SHC1502	206.00	313.00	SHC1502WC	165.00	272.00	1500/1125	240/208	446	17 9/16	727	28 5/8	7.1	15.7
---	---	---	SHC1503WC	250.00	357.00	1500	347	446	17 9/16	727	28 5/8	7.1	15.7
---	---	---	SHC1506WC	250.00	357.00	1500	600	446	17 9/16	727	28 5/8	7.1	15.7
SHC2008	258.00	365.00	SHC2008WC	217.00	324.00	2000	208	446	17 9/16	889	35	8.6	18.9
SHC2002	227.00	334.00	SHC2002WC	186.00	293.00	2000/1500	240/208	446	17 9/16	889	35	8.6	18.9
---	---	---	SHC2003WC	271.00	378.00	2000	347	446	17 9/16	889	35	8.6	18.9
---	---	---	SHC2006WC	271.00	378.00	2000	600	446	17 9/16	889	35	8.6	18.9
MODEL WITH 120 V PLUG (RESIDENTIAL OUTLET)													
SHC1501P*	256.00	---	---	---	---	1500	120	446	17 9/16	727	28 5/8	7.1	15.7

Add W for white, SW for soft white or SS for stainless steel (consult the optional colours chart or contact your Stelpro representative for all other colours). Mechanical wall thermostats are not compatible with the without thermostat model (WC). An electronic thermostat is required. Models also available in 277 V and 480 V.
 * Available in white only
 --- not available

ACCESSORIES

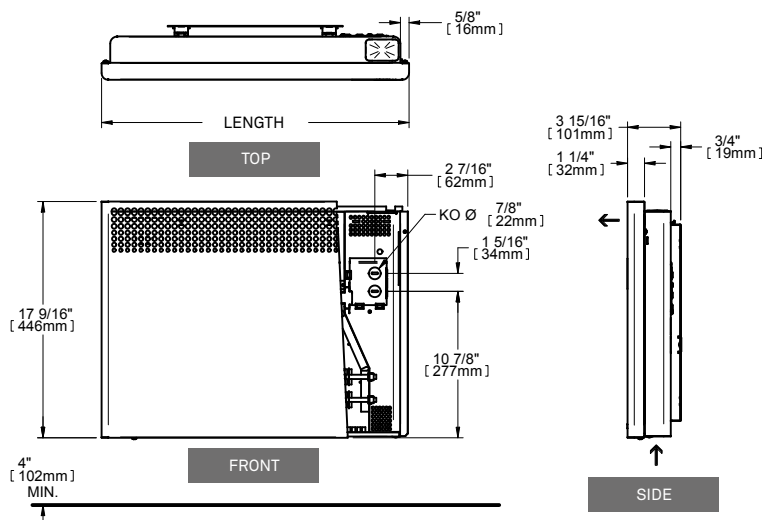
PRODUCT	DESCRIPTION	PRICE
SHCRE153*	built-in electronic low voltage relay [15 A @ 120 V-347 V]	60.50
SHCRE156*	built-in electronic low voltage relay [6 A @ 600 V]	98.00
SHCRE153T*	built-in electronic low voltage relay c/w transformer 24 V [15 A @ 208 V-347 V]	76.00

Electronic relays can receive a PWM (pulsed width modulation) or digital (on/off) signal.
 * Factory installed



BUILT-IN ELECTRONIC THERMOSTAT AVAILABLE FOR THE 120 V TO 240 V MODELS

TECHNICAL DRAWINGS



INNOVATIVE LOOK
 ROUNDED EDGES AND MODERN LINES



STAINLESS STEEL MODEL (SS) WITH BLACK CABINET