

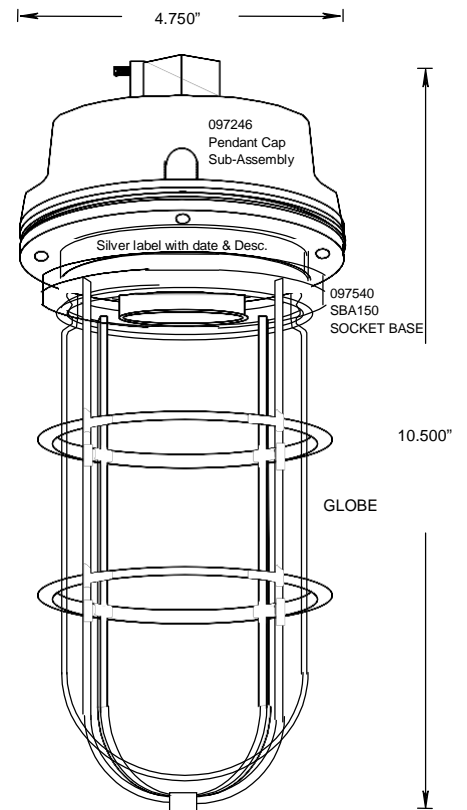
NON-METALLIC LIGHT FIXTURES

PMF150 PENDANT MOUNTS

ISSUE DATE:
DATE D'EMISSION: 2006 05 30

SUPERCEDES:
REPLACE: 2005 01 30

2



COMMON PART LIST:

DESCRIPTION	PART NUMBER	QUANTITY
8-32 X 1/2 PAN COMB SCREWS	072522	4
150 BOX RED GASKET	072820	2
SBA150 SOCKET BASE	097540	1
RED SMALL GASDKET	072821	1
SPICE BOX SOCKET BASE INSULATOR	072854	1
3/4" X 1/2" REDUCER BUSHINGS 1805	097554	4
PC150 PENDANT CAP SUB ASSEMBLY	097246	1
ELECTRIC SOCKET KULKA	072817	1
REFLECTOR INULSTOR	072855	1
6" LEADS - 12AWG TYCL1251 WIRE BLACK	072856	1
6" LEADS - 12AWG TYCL1251 WIRE WHITE	072857	1
VPG150 VAPOR-PROOF GUARD	077978	1

SPECIFIC PART LIST:

PRODUCT CODE	PART NUMBER	GLOBE CODE
077231	LPMF150 Pendant Mount Clear	072824
077276	LPMF150C-MAR Marine Pendant Mount Clear	072824
077495	LPMF150HRC-HAZ Pendant Mount HR Clear	072826
077496	LPMF150HRR-HAZ Pendant Mount HR Red	072827