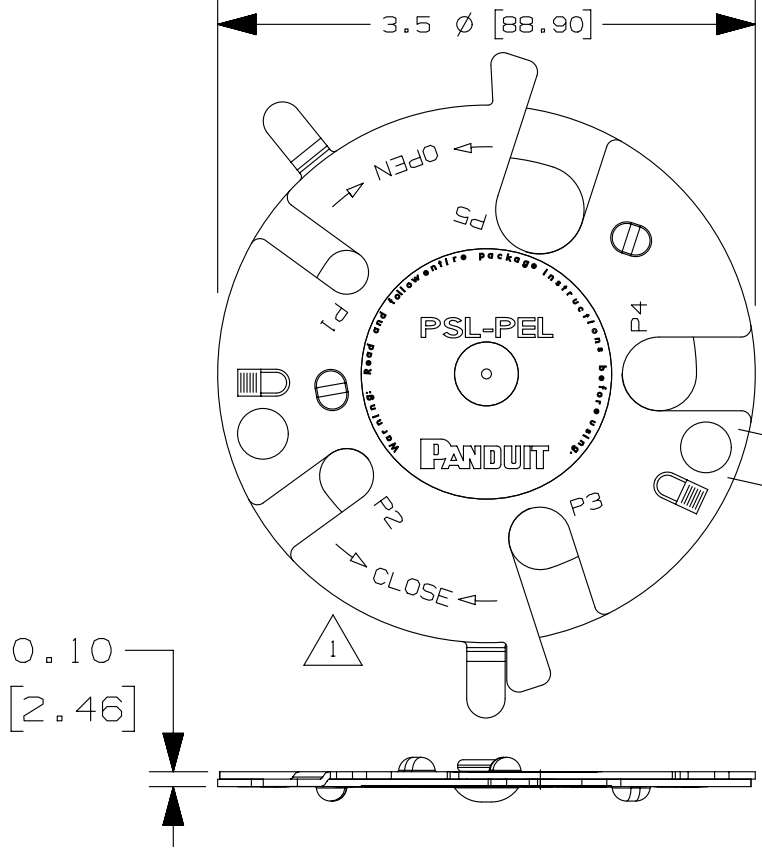
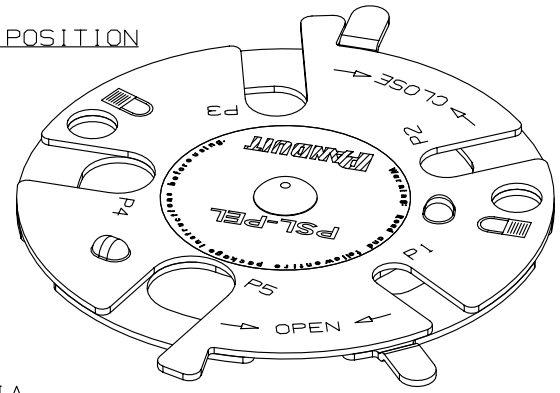


THIS COPY IS PROVIDED ON A RESTRICTED BASIS AND IS NOT TO BE USED IN ANY WAY DETRIMENTAL TO THE INTERESTS OF PANDUIT CORP.

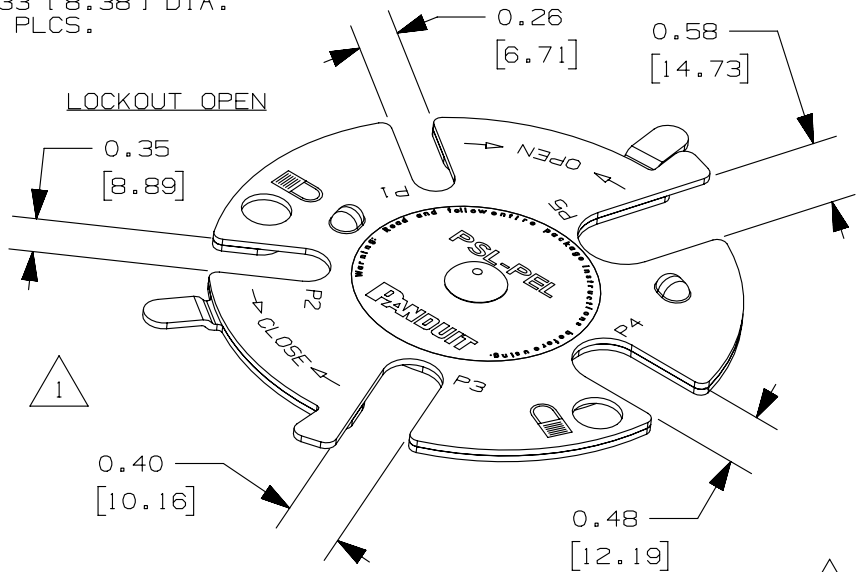


CLOSED POSITION



LOCK SHACKLE HOLE .33 [8.38] DIA. TYP. 2 PLCS.

LOCKOUT OPEN



NOTES:
1. MILLIMETERS ARE SHOWN IN PARENTHESES [].

REV	DATE	BY	CHK	APR	DESCRIPTION	ECN
1	4/1/14	RVU	MJPF	MSAD	UPDATE PANDUIT LOGO, TITLE, NOTES AND TOLERANCES.	GAECN01857
R	10/28/03	RVU			DRAWING RELEASE.	3455

TITLE		PSL-PEL PNEUMATIC FITTING LOCKOUT DEVICE		
		CONTROL DRAWING		
ITEM REVISION NAME		100619PJ/02		
DATASET FILE NAME		100619PJ_DC_C10156/02B		
UNLESS OTHERWISE SPECIFIED, DIMENSIONAL TOLERANCES ARE: IN [mm]		PANDUIT MATERIAL: STAINLESS STEEL		
.x ± .12 [3.04] .xxx ± .025 [.635] .xx ± .062 [1.57] ANGLES ± 5°				
DRAWN BY		DATE	CHK	SCALE
RVU	10/28/03	MSAD	NTS	
DRAWING NUMBER:		C10156		
REV		DATE	BY	CHK
SHT 1 OF 1		A		