

Industrial Baymaster™ and High Lumen LED Luminaire

High Bay for Ordinary Locations

NEC/CEC:

Marine outside type (salt water) for USA Only
Wet locations
Type 3R, 4, 4X
IP66/67

Applications

- Powerful, efficient weatherproof lighting for applications such as:
 - Steel Production Plants
 - Power Generation Facilities
 - Foundries
 - Cement, Stone and Sand Plants
 - Pulp and Paper Mills
 - Ship Building and Shipping Ports
 - Other areas where corrosive, wet, dirty and tough environments are a problem.
- IP66/IP67, Type 4X, marine and wet locations.
- Locations requiring dependable, consistent lighting in extreme hot/cold temperature environments. -40°C to +65°C (-40°F to +149°F) ambient temperature range. -40°C to +55°C (-40°F to +131°F) for high lumen IBHLL3 output.

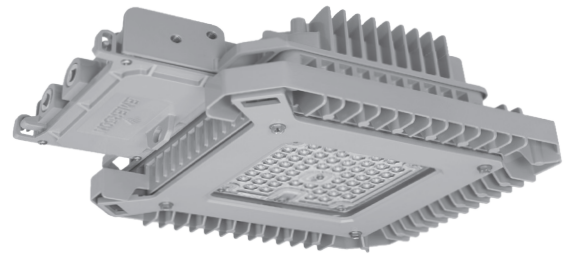
Features

- Six lumen outputs provide up to 38,000 lumens.
- Choice of optics for optimal light distribution in a variety of applications.
- Separate field wiring compartment with screw terminal block for easy and secure connection (can accept UL/CSA 26-10AWG).
- Two 3/4" NPT entries provided. (Two close-up plugs provided when quick mount pendant system is ordered).

Nominal Lumens ①	Wattage (W)	Efficacy (lpw)	HID Equivalent	Model Number
9,500	70	136	175-250W	IBLLL6/ IBLLPL6
15,000	111	135	250-400W	IBLLL7/ IBLLPL7
19,000	152	125	400-750W	IBLLL8/ IBLLPL8
24,000	177	136	1000W	IBHLL1/ IBHLPL1
30,000	221	136	1000-1500W	IBHLL2/ IBHLPL2
38,000	297	128	1500W	IBHLL3/ IBHLPL3

① Nominal lumen value for 5000K, Medium Beam, with clear glass.
Detailed lumen information provided in tables.

- Unique quick mount pendant system allows for easy prewiring without supporting the High Bay in place. Quick mount adapter hood includes one ¼" NPT entry.
- Alternate mounting system allows for "Y" cable mount and easy wiring via a separate field wiring compartment with a screw terminal block (can accept UL/CSA 26-10AWG).
- Choice of color temperature (CCT): 5000K (70 CRI) cool white, 4000K (80 CRI) neutral white, or 3000K (80 CRI) warm white.
- Rugged and compact housing with superior thermal design translates to long luminaire life.
- Heavy duty, high temperature silicone rubber gaskets.
- Thermal shock and impact resistant clear or frosted glass lens.
- Standard 6 kV surge protection. Optional 10 kV additional surge protection available.
- Captive fasteners secure one-piece lens.
- Field replaceable LED driver and lens cover.



Options

- Improved safety cable design with multiple retention points, purchase separately.
- Guard and visor available, purchase separately
- Y mount cable assembly, purchase separately
- Drain assembly, purchase separately
- 10 kV Surge Protection

Standard Materials

- Housing, lens cover, quick mount body and hood: baked gray epoxy powder coat finish, electrostatically applied for complete uniform protection

Standard Finishes

- Housing, lens cover, quick mount body and hood; baked gray epoxy powder coat finish, electrostatically applied for complete uniform protection

NEC/CEC Certifications and Compliances

- UL Standards:
 - UL1598, Luminaires
 - UL1598A, Luminaires for Installation on Marine Vessels
 - UL 8750, LED Equipment for Use in Lighting Products
- CSA Standards:
 - CSA C22.2 No. 250.0, Luminaires
- cCSAus 164460 Certificate Number: IBLL – 70073607, IBHL – 70073608

DesignLights™ Consortium (for the following models)

- All models pending.

Related Products

- Baymaster™ LED

LED/HIGH BAY: NEC/CEC ORDINARY LOCATION

APPLETON™

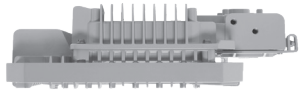
Industrial Baymaster™ and High Lumen LED Luminaire

High Bay for Ordinary Locations

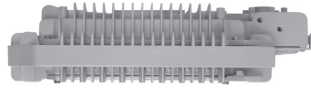
NEC/CEC:

Marine outside type (salt water) for USA Only
 Wet locations
 Type 3R, 4, 4X
 IP66/67

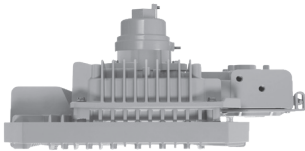
Illustrated Features



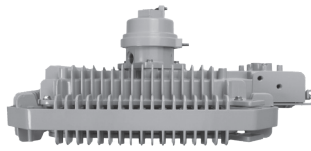
BLL
 9K, 15K, 19K Lumens with standard mounting



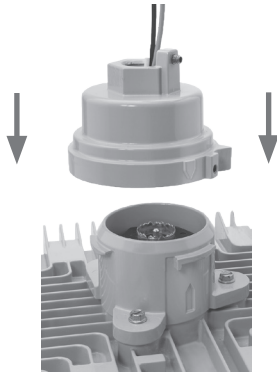
BHL
 24K, 30K, 38K Lumens with standard mounting



BLLP
 9K, 15K, 19K Lumens with quick mount pendant option



BHLP
 24K, 30K, 38K Lumens with quick mount pendant option



Quick Mount Pendant System
 Appleton's patented quick mount pendant system allows for easy prewiring of a hood for quick, one person fixture installation. Simply align the arrows, push up, and rotate the luminaire a quarter turn until it locks into place. Specify quick mount pendant with a "P" in the fifth digit of the part number.



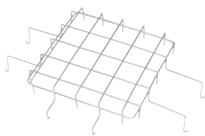
Cable Mount Option
 The Baymaster High Bay can also be mounted with two Y style aircraft cables with spring clips, secured to eye bolts on the luminaire housing. Non quick mount models can be cable mounted and are wired through the 3/4" NPT entries in the wire box.



Driver Assembly
 Replaceable drivers are waterproof (IP67) and offer standard 6 kV surge protection and over temperature protection.



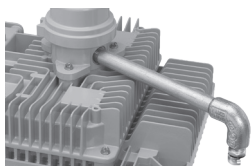
Optional Fusing *
 Luminaire can be ordered with optional fusing. Fusing is not field installable.



Optional Wire Guard
 Stainless steel wire guard can be used for additional protection.



Replaceable Cover Assembly
 The replaceable cover assembly is available with clear or frosted glass.



Optional Drain Assembly
 Includes 9" long, 1/2" trade size conduit nipple, elbow and drain.

* Use of fuse voids marine rating.

Industrial Baymaster™ and High Lumen LED Luminaire

High Bay for Ordinary Locations

NEC/CEC:

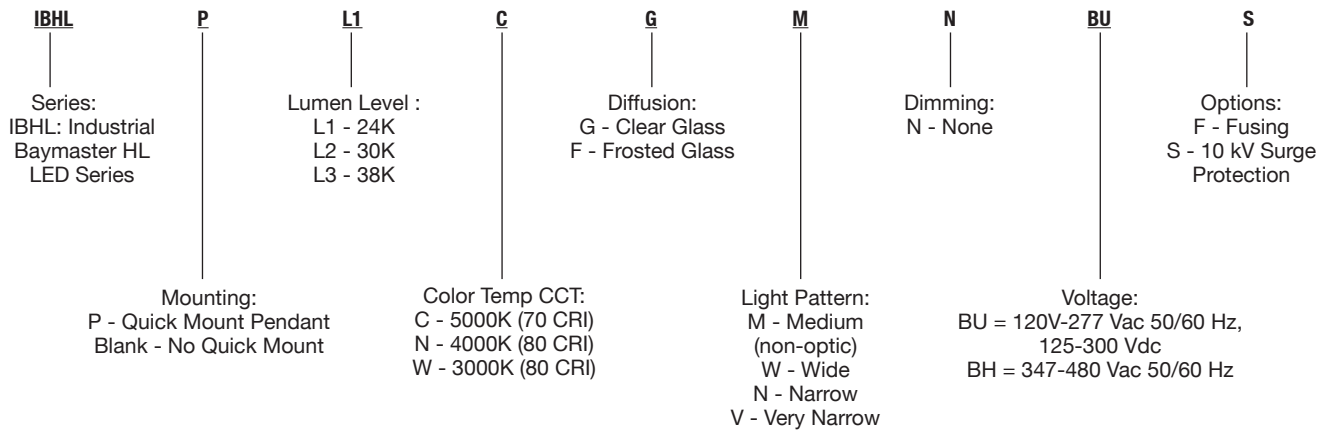
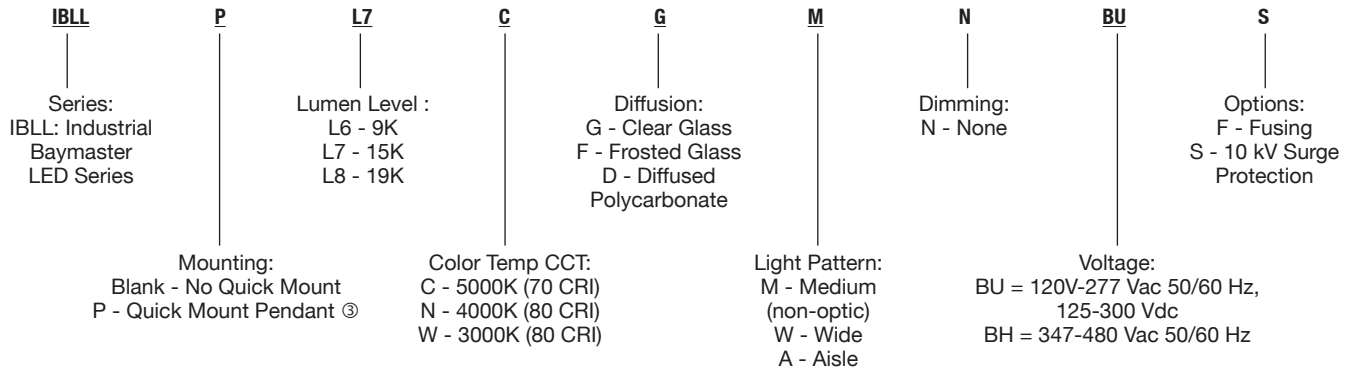
Marine outside type (salt water) for USA Only

Wet locations

Type 3R, 4, 4X

IP66/67

Order using catalog numbering guides below or select catalog number from tables on following pages.



LED/HIGH BAY: NEC/CEC ORDINARY LOCATION

All lumen values are typical (tolerance +/- 10%)

Use of fuse voids Marine rating.

Quick mount pendant includes pre wired, factory installed, quick mount pendant body and hood. Models without the quick pendant mount are wired through the 3/4" NPT entries and a provided screw terminal block in the wiring compartment..

Industrial Baymaster™ and High Lumen LED Luminaire

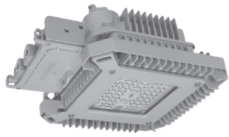
High Bay for Ordinary Locations

NEC/CEC:

Marine outside type (salt water) for USA Only
 Wet locations
 Type 3R, 4, 4X
 IP66/67

Lumen Output Tables – IBLL

Diffusion	Color Temperature CCT	Lumen Output	Wattage	Efficacy (lm/W)	Optical Pattern	Catalog Number	
Clear Glass	5000K/70 CRI Cool White	9,900	70	141	Type V	IBLLPL6CGMNBU	
		8,650		124	Type V Wide	IBLLPL6CGWNBU	
		9,350	111	134	Type I Aisle	IBLLPL6CGANBU	
		15,000		135	Type V	IBLLPL7CGMNBU	
		13,150		118	Type V Wide	IBLLPL7CGWNBU	
		14,250	152	128	Type I Aisle	IBLLPL7CGANBU	
		19,500		128	Type V	IBLLPL8CGMNBU	
	16,900	111		Type V	IBLLPL8CGWNBU		
	18,350	121		Type I Aisle	IBLLPL8CGANBU		
	Clear Glass	4000K/80 CRI Neutral White	9,000	70	129	Type V	IBLLPL6NGMNBU
			7,850		112	Type V Wide	IBLLPL6NGWNBU
			8,500	111	121	Type I Aisle	IBLLPL6NGANBU
			13,650		123	Type V	IBLLPL7NGMNBU
			11,900		107	Type V Wide	IBLLPL7NGWNBU
12,900			152	116	Type I Aisle	IBLLPL7NGANBU	
17,550				115	Type V	IBLLPL8NGMNBU	
15,350		101		Type V	IBLLPL8NGWNBU		
16,650		110		Type I Aisle	IBLLPL8NGANBU		
3000K/80 CRI Warm White		7,650	70	109	Type V	IBLLPL6WGMNBU	
		6,700		96	Type V Wide	IBLLPL6WGWNBU	
		7,250	111	104	Type I Aisle	IBLLPL6WGANBU	
		11,500		104	Type V	IBLLPL7WGMNBU	
		10,200		92	Type V Wide	IBLLPL7WGWNBU	
	11,050	152	100	Type I Aisle	IBLLPL8WGANBU		
	15,000		99	Type V	IBLLPL8WGMNBU		
13,150	87		Type V	IBLLPL8WGWNBU			
14,250	94		Type I Aisle	IBLLPL8WGANBU			



Clear Glass 4000K/80 CRI Neutral White

LED/HIGH BAY: NEC/CEC ORDINARY LOCATION

APPLETON™

① All lumen values and wattage typical (tolerance +/- 10%)
 ② For 347-480 Vac voltage, change **-BU** suffix to **-BH**, example IBLLPL7CGMNBH.
 For Fusing option, add suffix **-F** to end of part number, example IBLLPL7CGMNBUF.
 For 10 kV surge protection, add suffix **-S** to end of part number, example IBLLPL7CGMNBUS.
 For both Fusing and 10 kV surge, add suffix **-FS** to end of part number, example IBLLPL7CGMNBUSFS.
 For standard mounting option, remove **B** from prefix at being of part number, example IBLLPL7CGMNBUS.
 See catalog numbering guide for certification restrictions.

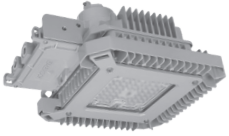
Industrial Baymaster™ and High Lumen LED Luminaire

High Bay for Ordinary Locations

NEC/CEC:

Marine outside type (salt water) for USA Only
 Wet locations
 Type 3R, 4, 4X
 IP66/67

Lumen Output Tables – IBLL

Diffusion	Color Temperature CCT	Lumen Output ①	Wattage	Efficacy (lm/W)	Optical Pattern	Catalog Number ②
	5000K/ 70 CRI Cool White	8,300	70	119	Type V	IBLLPL6CFMNBU
		6,800		97	Type V Wide	IBLLPL6CFWNBU
		7,700		110	Type I Aisle	IBLLPL6CFANBU
		12,500	111	113	Type V	IBLLPL7CFMNBU
		10,350		93	Type V Wide	IBLLPL7CFWNBU
		11,700		105	Type I Aisle	IBLLPL7CFANBU
		16,550	152	109	Type V	IBLLPL8CFMNBU
		13,250		87	Type V	IBLLPL8CFWNBU
		15,000		99	Type I Aisle	IBLLPL8CFANBU
	Frosted Glass 4000K/ 80 CRI Neutral White	7,500	70	107	Type V	IBLLPL6NFMNBU
		6,150		88	Type V Wide	IBLLPL6NFWNBU
		6,950		99	Type I Aisle	IBLLPL6NFANBU
		11,350	111	102	Type V	IBLLPL7NFMNBU
		9,350		84	Type V Wide	IBLLPL7NFWNBU
		10,600		95	Type I Aisle	IBLLPL7NFANBU
14,500		152	95	Type V	IBLLPL8NFMNBU	
12,000			79	Type V	IBLLPL8NFWNBU	
13,650			90	Type I Aisle	IBLLPL8NFANBU	
3000K/ 80 CRI Warm White	6,400	70	91	Type V	IBLLPL6WFMNBU	
	5,250		75	Type V Wide	IBLLPL6WFWNBU	
	5,950		85	Type I Aisle	IBLLPL6WFANBU	
	9,700	111	87	Type V	IBLLPL7WFMNBU	
	8,000		72	Type V Wide	IBLLPL7WFWNBU	
	9,100		82	Type I Aisle	IBLLPL8WFANBU	
	12,500	152	82	Type V	IBLLPL8WFMNBU	
	10,300		68	Type V	IBLLPL8WFWNBU	
	11,700		77	Type I Aisle	IBLLPL8WFANBU	

LED/HIGH BAY: NEC/CEC ORDINARY LOCATION

APPLETON™

① All lumen values and wattage typical (tolerance +/- 10%)

② For 347-480 Vac voltage, change **-BU** suffix to **-BH**, example IBLLPL7CGMNBH.

For Fusing option, add suffix **-F** to end of part number, example IBLLPL7CGMNBUF.

For 10 kV surge protection, add suffix **-S** to end of part number, example IBLLPL7CGMNBUS.

For both Fusing and 10 kV surge, add suffix **-FS** to end of part number, example IBLLPL7CGMNBUSFS.

For standard mounting option, remove **B** from prefix at being of part number, example IBLLPL7CGMNB.

See catalog numbering guide for certification restrictions.

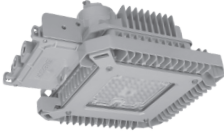
Industrial Baymaster™ and High Lumen LED Luminaire

High Bay for Ordinary Locations

NEC/CEC:

Marine outside type (salt water) for USA Only
Wet locations
Type 3R, 4, 4X
IP66/67

Lumen Output Tables – IBLL

Diffusion	Color Temperature CCT	Lumen Output ①	Wattage	Efficacy (lm/W)	Optical Pattern	Catalog Number ②	
	5000K/70 CRI Cool White	8,050	70	115	Type V	IBLLPL6CDMNBU	
		6,650		95	Type V Wide	IBLLPL6CDWNBU	
		7,450		106	Type I Aisle	IBLLPL6CDANBU	
		12,200	111	110	Type V	IBLLPL7CDMNBU	
		10,150		91	Type V Wide	IBLLPL7CDWNBU	
		11,350		102	Type I Aisle	IBLLPL7CDANBU	
		15,650		103	Type V	IBLLPL8CDMNBU	
	13,000	152	86	Type V	IBLLPL8CDWNBU		
	14,650	96	Type I Aisle	IBLLPL8CDANBU			
	Diffused Polycarbonate	4000K/80 CRI Neutral White	7,300	70	104	Type V	IBLLPL6NDMNBU
			6,000		86	Type V Wide	IBLLPL6NDWNBU
			6,750		96	Type I Aisle	IBLLPL6NDANBU
			11,000	111	99	Type V	IBLLPL7NDMNBU
			9,160		83	Type V Wide	IBLLPL7NDWNBU
10,250			92		Type I Aisle	IBLLPL7NDANBU	
14,150			93		Type V	IBLLPL8NDMNBU	
11,800		152	78	Type V	IBLLPL8NDWNBU		
13,250		87	Type I Aisle	IBLLPL8NDANBU			
3000K/80 CRI Warm White		6,250	70	89	Type V	IBLLPL6WDMNBU	
		5,150		74	Type V Wide	IBLLPL6WDWNBU	
		5,750		82	Type I Aisle	IBLLPL6WDANBU	
		9,450	111	85	Type V	IBLLPL7WDMNBU	
		7,850		71	Type V Wide	IBLLPL7WDWNBU	
	8,800	79		Type I Aisle	IBLLPL8WDANBU		
	12,100	80		Type V	IBLLPL8WDMNBU		
10,100	152	66	Type V	IBLLPL8WDWNBU			
11,350	75	Type I Aisle	IBLLPL8WDANBU				

LED/HIGH BAY - NEC/CEC ORDINARY LOCATION

APPLETON™

All lumen values and wattage typical (tolerance +/- 10%)

For 347-480 Vac voltage, change **-BU** suffix to **-BH**, example IBLLPL7CGMNBH.

For Fusing option, add suffix **-F** to end of part number, example IBLLPL7CGMNBUF.

For 10 kV surge protection, add suffix **-S** to end of part number, example IBLLPL7CGMNBUS.

For both Fusing and 10 kV surge, add suffix **-FS** to end of part number, example IBLLPL7CGMNBUSFS.

For standard mounting option, remove **B** from prefix at being of part number, example IBLLPL7CGMNB.

See catalog numbering guide for certification restrictions.

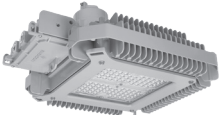
Industrial Baymaster™ and High Lumen LED Luminaire

High Bay for Ordinary Locations

NEC/CEC:

Marine outside type (salt water) for USA Only
Wet locations
Type 3R, 4, 4X
IP66/67

Lumen Output Tables – IBHL

Diffusion	Color Temperature CCT	Lumen Output ①	Wattage	Efficacy (lm/W)	Optical Pattern	Catalog Number ②	
	5000K/70 CRI Cool White	24,250	178	136	Type V	IBHLPL1CGMNBU	
		21,000		118	Type V Wide	IBHLPL1CGWNBU	
		25,000		140	Type V Narrow	IBHLPL1CGNNBU	
		22,750		128	Type V Very Narrow	IBHLPL1CGVNBU	
		29,750		134	Type V	IBHLPL2CGMNBU	
		25,650	222	116	Type V Wide	IBHLPL2CGWNBU	
		30,000		135	Type V Narrow	IBHLPL2CGNNBU	
		27,500		124	Type V Very Narrow	IBHLPL2CGVNBU	
		37,400		126	Type V	IBHLPL3CGMNBU	
		32,400		298	109	Type V Wide	IBHLPL3CGWNBU
	37,500	126	Type V Narrow		IBHLPL3CGNNBU		
	34,750	117	Type V Very Narrow		IBHLPL3CGVNBU		
	Clear Glass 4000K/80 CRI Neutral White	21,300	178		120	Type V	IBHLPL1NGMNBU
		18,800			106	Type V Wide	IBHLPL1NGWNBU
		21,900		123	Type V Narrow	IBHLPL1NGNNBU	
		20,250		114	Type V Very Narrow	IBHLPL1NGVNBU	
		26,100		118	Type V	IBHLPL2NGMNBU	
		22,850	222	103	Type V Wide	IBHLPL2NGWNBU	
		26,700		120	Type V Narrow	IBHLPL2NGNNBU	
		24,600		111	Type V Very Narrow	IBHLPL2NGVNBU	
32,800		110		Type V	IBHLPL3NGMNBU		
28,850		298		97	Type V Wide	IBHLPL3NGWNBU	
33,600	113		Type V Narrow	IBHLPL3NGNNBU			
30,950	104		Type V Very Narrow	IBHLPL3NGVNBU			
3000K/80 CRI Warm White	20,100		178	113	Type V	IBHLPL1WGMNBU	
	17,900			101	Type V Wide	IBHLPL1WGWNB	
	20,850	117		Type V Narrow	IBHLPL1WGNNB		
	19,350	109		Type V Very Narrow	IBHLPL1WGVNB		
	24,650	111		Type V	IBHLPL2WGMNBU		
	21,800	222	98	Type V Wide	IBHLPL2WGWNB		
	25,500		115	Type V Narrow	IBHLPL2WGNNB		
	23,450		106	Type V Very Narrow	IBHLPL2WGVNB		
	31,000		104	Type V	IBHLPL3WGMNBU		
	27,550		298	92	Type V Wide	IBHLPL3WGWNB	
32,000	107	Type V Narrow		IBHLPL3WGNNB			
29,500	99	Type V Very Narrow		IBHLPL3WGVNB			

All lumen values and wattage typical (tolerance +/- 10%)

For 347-480 Vac voltage, change **-BU** suffix to **-BH**, example IBHLPL7CGMNBH.

For Fusing option, add suffix **-F** to end of part number, example IBHLPL7CGMNBUF.

For 10 kV surge protection, add suffix **-S** to end of part number, example IBHLPL7CGMNBUS.

For both Fusing and 10 kV surge, add suffix **-FS** to end of part number, example IBHLPL7CGMNBUSF.

For standard mounting option, remove **B** from prefix at being of part number, example IBHLL7CGMNB.

See catalog numbering guide for certification restrictions.

LED/HIGH BAY: NEC/CEC ORDINARY LOCATION

APPLETON™

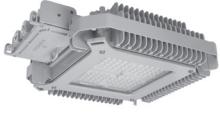
Industrial Baymaster™ and High Lumen LED Luminaire

High Bay for Ordinary Locations

NEC/CEC:

Marine outside type (salt water) for USA Only
 Wet locations
 Type 3R, 4, 4X
 IP66/67

Lumen Output Tables – IBHL

Diffusion	Color Temperature CCT	Lumen Output	Wattage	Efficacy (lm/W)	Optical Pattern	Catalog Number	
 Frosted Glass	5000K/70 CRI Cool White	20,500	178	115	Type V	IBHLPL1CFMNBU	
		16,700		94	Type V Wide	IBHLPL1CFWNBU	
		21,550		121	Type V Narrow	IBHLPL1CFNNUBU	
		20,000		112	Type V Very Narrow	IBHLPL1CFVNUBU	
		25,000		113	Type V	IBHLPL2CFMNBU	
		20,350	222	92	Type V Wide	IBHLPL2CFWNBU	
		26,000		117	Type V Narrow	IBHLPL2CFNNUBU	
		24,750		111	Type V Very Narrow	IBHLPL2CFVNUBU	
		31,500		106	Type V	IBHLPL3CFMNBU	
		25,700		298	86	Type V Wide	IBHLPL3CFWNBU
		33,500	112		Type V Narrow	IBHLPL3CFNNUBU	
		31,000	104		Type V Very Narrow	IBHLPL3CFVNUBU	
		18,000	178		101	Type V	IBHLPL1NFMNBU
		14,850			83	Type V Wide	IBHLPL1NFWNBU
		19,350		109	Type V Narrow	IBHLPL1NFNNUBU	
	17,950	101		Type V Very Narrow	IBHLPL1NFVNUBU		
	21,950	99		Type V	IBHLPL2NFMNBU		
	4000K/80 CRI Neutral White	18,000	222	81	Type V Wide	IBHLPL2NFWNBU	
		23,600		106	Type V Narrow	IBHLPL2NFNNUBU	
		21,950		99	Type V Very Narrow	IBHLPL2NFVNUBU	
		27,700		93	Type V	IBHLPL3NFMNBU	
		22,800		298	77	Type V Wide	IBHLPL3NFWNBU
		29,750	100		Type V Narrow	IBHLPL3NFNNUBU	
		27,500	92		Type V Very Narrow	IBHLPL3NFVNUBU	
		16,850	178		95	Type V	IBHLPL1WFMNBU
		14,250			80	Type V Wide	IBHLPL1WFWNBU
		18,600		104	Type V Narrow	IBHLPL1WFNNUBU	
		17,200		97	Type V Very Narrow	IBHLPL1WVNUBU	
		20,550		93	Type V	IBHLPL2WFMNBU	
		3000K/80 CRI Warm White	17,350	222	78	Type V Wide	IBHLPL2WFWNBU
22,650			102		Type V Narrow	IBHLPL2WFNNUBU	
21,000			95		Type V Very Narrow	IBHLPL2WVNUBU	
26,000	298		87	Type V	IBHLPL3WFMNBU		
21,900			73	Type V Wide	IBHLPL3WFWNBU		
28,600			96	Type V Narrow	IBHLPL3WFNNUBU		
26,400			89	Type V Very Narrow	IBHLPL3WVNUBU		

LED/HIGH BAY - NEC/CEC ORDINARY LOCATION

APPLETON™

All lumen values and wattage typical (tolerance +/- 10%)

For 347-480 Vac voltage, change **-BU** suffix to **-BH**, example IBHLPL7CGMNBH.

For Fusing option, add suffix **-F** to end of part number, example IBHLPL7CGMNBUF.

For 10 kV surge protection, add suffix **-S** to end of part number, example IBHLPL7CGMNBUS.

For both Fusing and 10 kV surge, add suffix **-FS** to end of part number, example IBHLPL7CGMNBUSF.

For standard mounting option, remove **B** from prefix at being of part number, example IBHLL7CGMNBUS.

See catalog numbering guide for certification restrictions.

Industrial Baymaster™ and High Lumen LED Luminaire

High Bay for Ordinary Locations

NEC/CEC:

Marine outside type (salt water) for USA Only

Wet locations

Type 3R, 4, 4X

IP66/67

Electrical Ratings

Voltage Suffix	Voltage (V)	Input Power (Watts)	Input Current (Amps)	Power Factor (PF)	Total Harmonic Distortion (THD)	Model Number
IBLL						
BU	120 Vac	73	0.62	>.9	<20%	IBLL6 IBLLPL6
	277 Vac	71	0.27			
	170 Vdc	69	0.41	N/A	N/A	
	300 Vdc	68	0.23			
BH	347 Vac	71	0.21	>.9	<20%	
	480 Vac	71	0.16			
BU	120 Vac	111	0.94	>.9	<20%	IBLL7 IBLLPL7
	277 Vac	106	0.43			
	170 Vdc	113	0.67	N/A	N/A	
	300 Vdc	111	0.37			
BH	347 Vac	115	0.33	>.9	<20%	
	480 Vac	115	0.25			
BU	120 Vac	154	1.30	>.9	<20%	IBLL8 IBLLPL8
	277 Vac	146	0.56			
	170 Vdc	156	0.92	N/A	N/A	
	300 Vdc	152	0.51			
BH	347 Vac	150	0.43	>.9	<20%	
	480 Vac	149	0.32			
IBHL						
BU	120 Vac	180	1.52	>.9	<20%	IBHLL1 IBHLPL1
	277 Vac	176	0.67			
	170 Vdc	172	1.02	N/A	N/A	
	300 Vdc	170	0.57			
BH	347 Vac	179	0.52	>.9	<20%	
	480 Vac	179	0.39			
BU	120 Vac	231	1.94	>.9	<20%	IBHLL2 IBHLPL2
	277 Vac	231	0.88			
	170 Vdc	220	1.30	N/A	N/A	
	300 Vdc	217	0.72			
BH	347 Vac	219	0.64	>.9	<20%	
	480 Vac	219	0.47			
BU	120 Vac	317	2.67	>.9	<20%	IBHLL3 IBHLPL3
	277 Vac	303	1.15			
	170 Vdc	305	1.80	N/A	N/A	
	300 Vdc	298	0.99			
BH	347 Vac	299	0.87	>.9	<20%	
	480 Vac	298	0.63			

LED/HIGH BAY: NEC/CEC ORDINARY LOCATION

APPLETON™

Surge Protection: Integral 6 kV surge protection. Option for up to 10 kV surge protection.

① All ratings are typical.

Visit our website at www.emerson.com or contact us at (800) 621-1506.

© June 2021

459



Industrial Baymaster™ and High Lumen LED Luminaire

High Bay for Ordinary Locations

NEC/CEC:

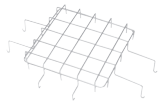





Marine outside type (salt water) for USA Only

Wet locations

Type 3R, 4, 4X

IP66/67

Accessories and Replacement Parts

	Description	Catalog Number
Quick-Connect Pendant Hood Replacement		
	Baymaster Quick-Connect Pendant Hood Replacement	BMQCPH
	Stainless steel	LGGUARD LHGUARD
Safety Cable		
	Stainless steel	LEDSC
Drain		
	9" long, 1/2" trade size drain assembly for use with quick mount pendant hood	LEDDR9
Y Mounting Cable		
	1.5 M (5 ft.) cable mount - stainless steel Includes two (5 ft.) Y cables with spring clips and four eye bolts	LEDC5
Safety Support Hooks		
	3/4" malleable iron hook and loop	EFHM-75
Replacement Covers		
	Diffused Polycarbonate replacement cover	BLLDIFFP
	Clear replacement cover High Lumen	BHLCLEAR
	Frosted replacement cover High Lumen	BHLFROST

LED/HIGH BAY: NEC/CEC ORDINARY LOCATION

APPLETON™



Industrial Baymaster™ and High Lumen LED Luminaire

High Bay for Ordinary Locations

NEC/CEC:

Marine outside type (salt water) for USA Only
 Wet locations
 Type 3R, 4, 4X
 IP66/67

Replacement Drivers

	Voltage	Driver Wattage	Constant Current Setting	Luminaire Model	CCT	Catalog Number
	BU	100 watt	410mA	IBLL6C/ IBLLPL6C IBLL6W/ IBLLPL6W	5000K and 3000K	APMS100C105UD41
	BH					APMS100C105HD41
	BU	150 watt	650mA	IBLL7W/ IBLLPL7W	3000K	APMS150C105UD65
	BH					APMS150C105HD65
	BU	150 watt	680mA	IBLL7C/ IBLLPL7C	5000K	APMS150C105UD68
	BH					APMS150C105HD68
	BU	150 watt	890mA	IBLL8W/ IBLLPL8W	3000K	APMS150C105UD89
	BH					APMS150C105HD89
BU	150 watt	930mA	IBLL8C/ IBLLPL8C	5000K	APMS150C105HD93	
BH					APMS150C105HD93	

Industrial Baymaster Accessory Weights

Description	Weight in kg (lbs)
IBLL6/IBLLPL6, IBLL7/IBLLPL7, IBLL8/IBLLPL8 Luminaires	9.8 (21.6)
IBHLL1/IBHLPL1, IBHLL2/IBHLPL2, IBHLL3/IBHLPL3 Luminaires	16.1 (35.4)
Quick Mount Hood	0.4 (0.9)
Guard	0.2 (0.4)
Safety Cable	0.2 (0.4)
Drain	0.5 (1.2)
Y Cable Mount	0.5 (1.2)

LED/HIGH BAY: NEC/CEC ORDINARY LOCATION

APPLETON™

Industrial Baymaster™ and High Lumen LED Luminaire

High Bay for Ordinary Locations

NEC/CEC:

Marine outside type (salt water) for USA Only

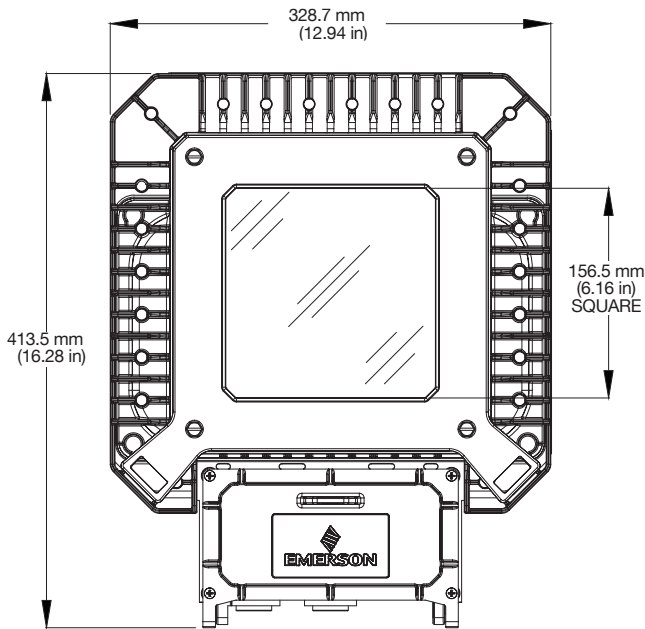
Wet locations

Type 3R, 4, 4X

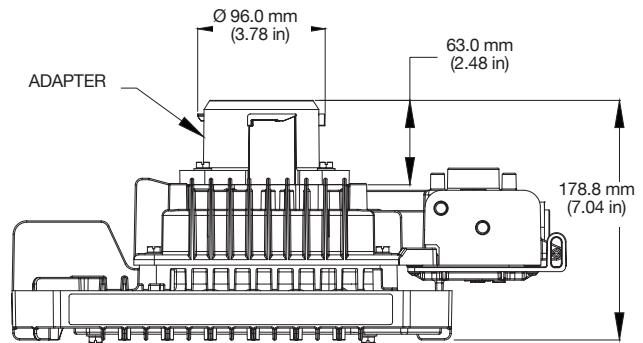
IP66/67

Dimensions in Millimeters (Inches)

High Bay – With Quick Mount Pendant System

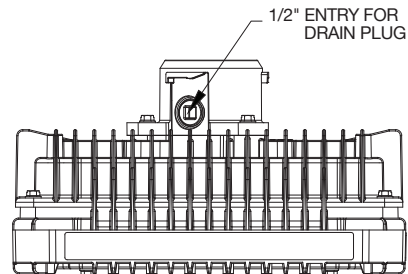
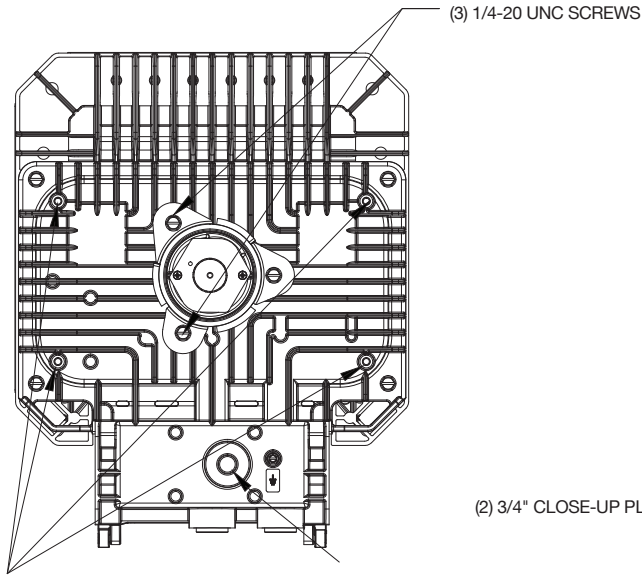


IBLLP Models

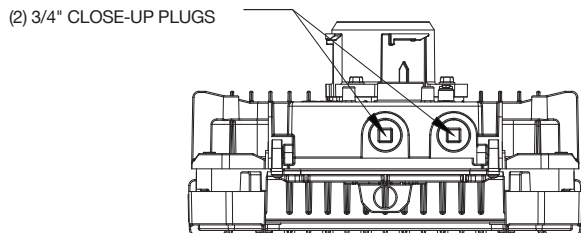


LED/HIGH BAY: NEC/CEC ORDINARY LOCATION

APPLETON™



IBLLP Models



Industrial Baymaster™ and High Lumen LED Luminaire

High Bay for Ordinary Locations

NEC/CEC:

Marine outside type (salt water) for USA Only

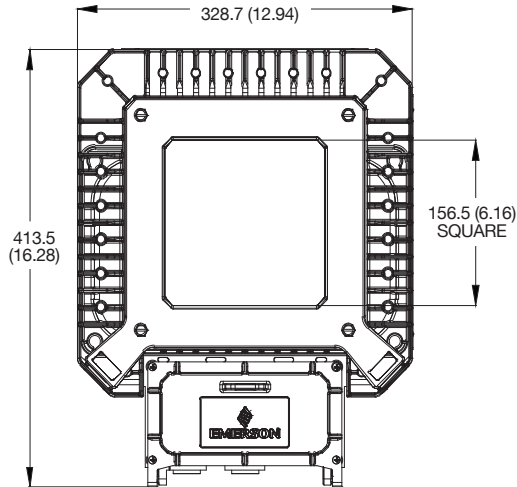
Wet locations

Type 3R, 4, 4X

IP66/67

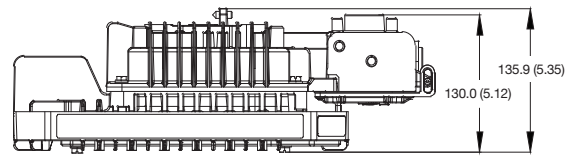
Dimensions in Millimeters (Inches)

High Bay – No Mount

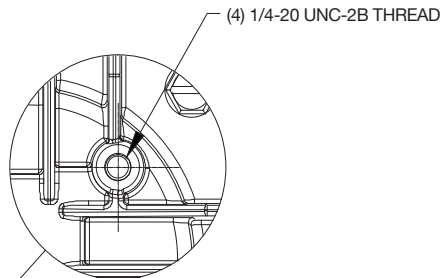
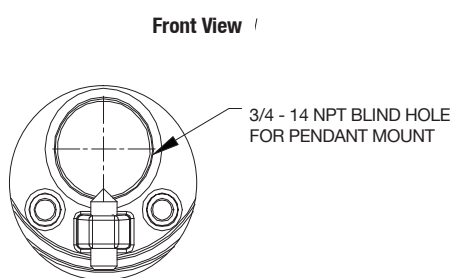


Front View

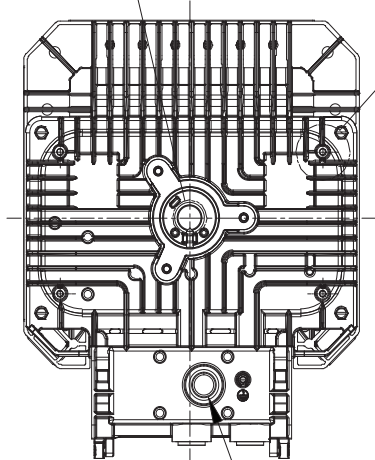
IBLL Models



Side View

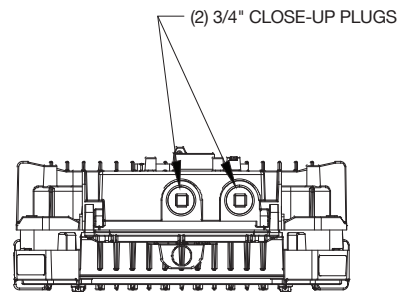


IBLL Models



Back View

(1) 3/4 - 14 NPT FOR CABLE ENTRY WITH CLOSE-UP PLUG



Bottom View

LED / HIGH BAY: NEC/CEC ORDINARY LOCATION

APPLETON

Industrial Baymaster™ and High Lumen LED Luminaire

High Bay for Ordinary Locations

NEC/CEC:

Marine outside type (salt water) for USA Only

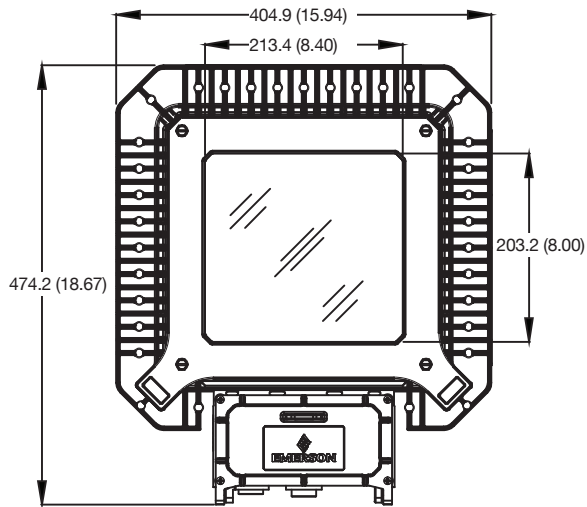
Wet locations

Type 3R, 4, 4X

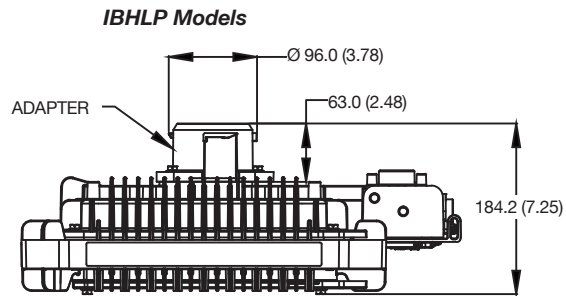
IP66/67

Dimensions in Millimeters (Inches)

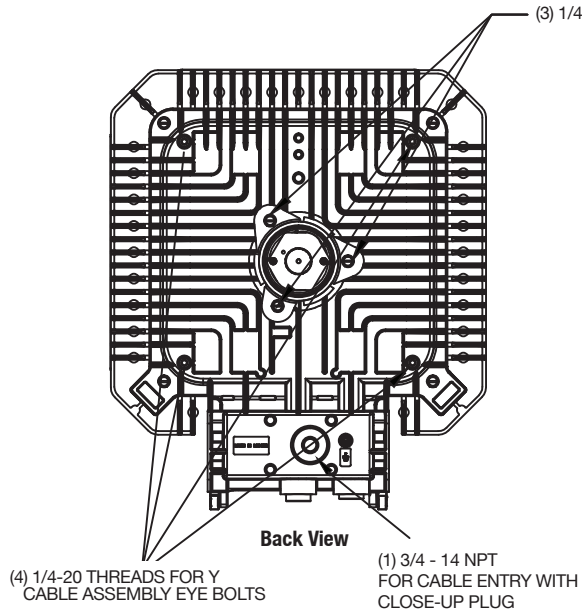
High Bay – With Quick Mount Pendant System



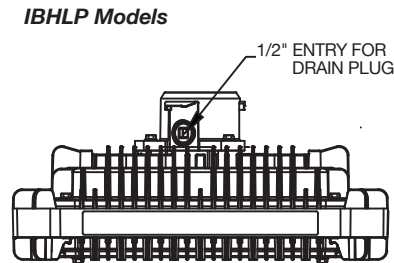
Front View



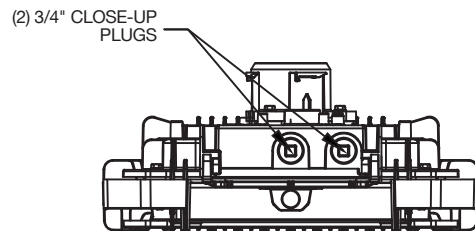
Side View



Back View



Top View



Bottom View

LED/HIGH BAY: NEC/CEC ORDINARY LOCATION

APPLETON™

Industrial Baymaster™ and High Lumen LED Luminaire

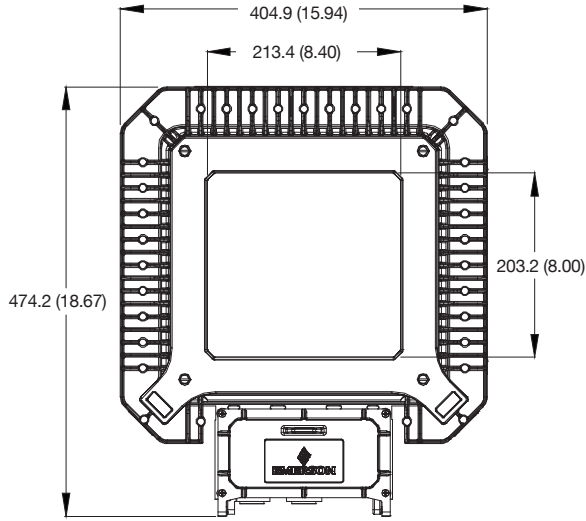
High Bay for Ordinary Locations

NEC/CEC:

Marine outside type (salt water) for USA Only
 Wet locations
 Type 3R, 4, 4X
 IP66/67

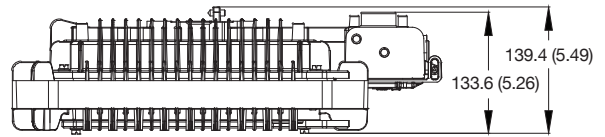
Dimensions in Millimeters (Inches)

High Bay – No Mount

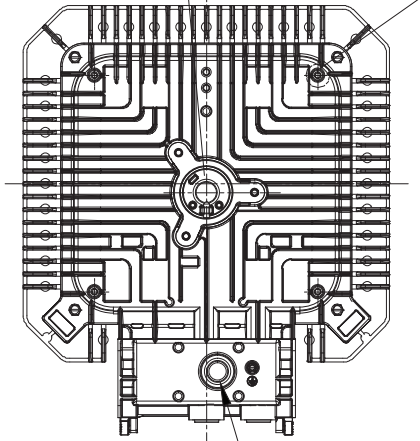
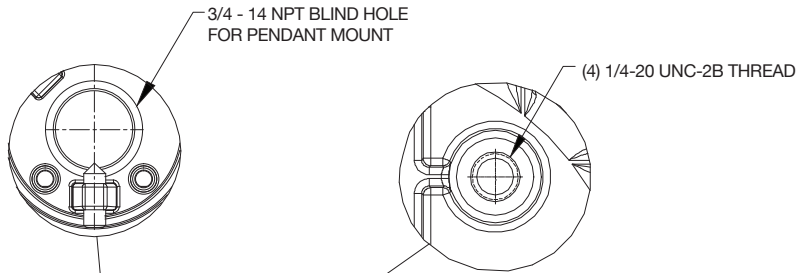


Front View

IBHL Models



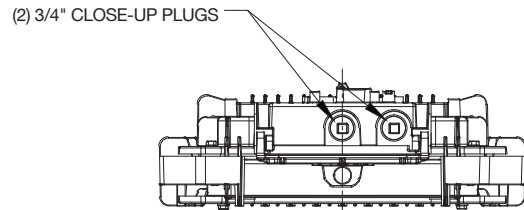
Side View



Back View

(1) 3/4 - 14 NPT
 FOR CABLE ENTRY

IBHL Models



Bottom View

LED / HIGH BAY: NEC/CEC ORDINARY LOCATION

APPLETON

Industrial Baymaster™ and High Lumen LED Luminaire

High Bay for Ordinary Locations

NEC/CEC:

Marine outside type (salt water) for USA Only
 Wet locations
 Type 3R, 4, 4X
 IP66/67

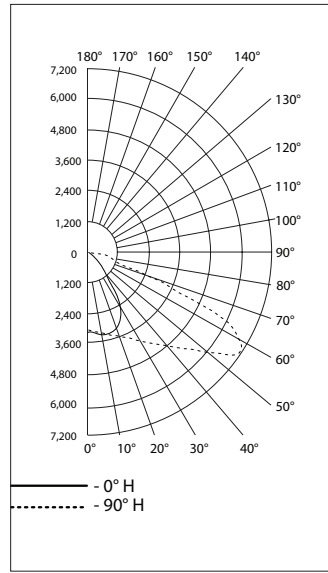
Photometric Data — DATA SHOWN IS ABSOLUTE

Aisle, Clear Glass

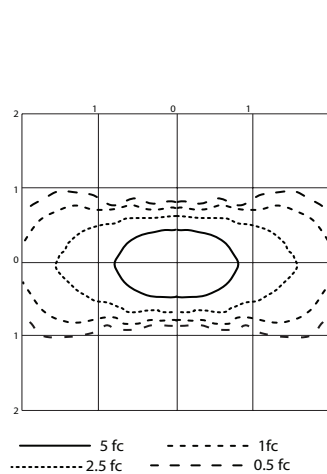
REPORT NUMBER: **BLLPL6CGANBU**

Luminaire Lumens 9,679

POLAR CANDELA DISTRIBUTION



ISOFOOT CANDLE PLOT



ZONAL LUMEN SUMMARY

Zone	Lumens	% Luminaire
0-30	2,820.3	29.1%
0-40	4,676.6	48.3%
0-60	8,307.1	85.8%
60-90	1,371.3	14.2%
70-100	171.1	1.8%
90-120	0	0%
0-90	9,678.4	100%
90-180	0	0%
0-180	9,678.4	100%

LUMENS PER ZONE

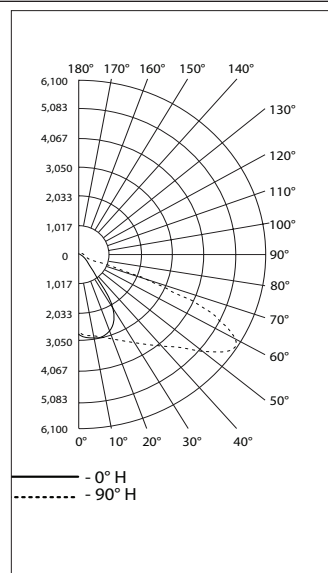
Zone	Lumens	% Total	Zone
0-10	306.6	3.2%	90 -100
10-20	952.6	9.8%	100 -110
20-30	1,561.2	16.1%	110 -120
30-40	1,856.2	19.2%	120 -130
40-50	1,764.9	18.2%	130 -140
50-60	1,865.7	19.3%	140 -150
60-70	1,200.2	12.4%	150 -160
70-80	159.2	1.6%	160 -170
80-90	11.9	0.1%	170 -180

Aisle, Clear Glass

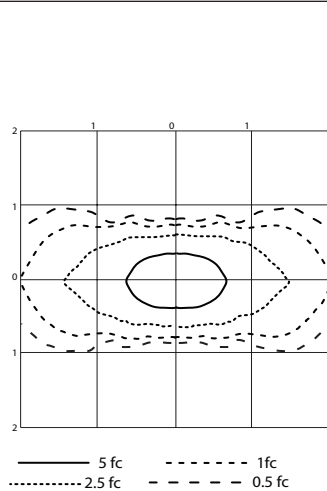
REPORT NUMBER: **BLLPL6WGANBU**

Luminaire Lumens 8,432

POLAR CANDELA DISTRIBUTION



ISOFOOT CANDLE PLOT



ZONAL LUMEN SUMMARY

Zone	Lumens	% Luminaire
0-30	2,507.0	29.7%
0-40	4,141.6	49.1%
0-60	7,265.0	86.2%
60-90	1,166.5	13.8%
70-100	139.9	1.7%
90-120	0	0%
0-90	8,431.5	100%
90-180	0	0%
0-180	8,431.5	100%

LUMENS PER ZONE

Zone	Lumens	% Total	Zone
0-10	275.1	3.3%	90-100
10-20	849.7	10.1%	100-110
20-30	1,382.2	16.4%	110-120
30-40	1,634.5	19.4%	120-130
40-50	1,536.3	18.2%	130-140
50-60	1,587.2	18.8%	140-150
60-70	1,026.6	12.2%	150-160
70-80	128.8	1.5%	160-170
80-90	11.1	0.1%	170-180

LED/HIGH BAY - NEC/CEC ORDINARY LOCATION

APPLETON™

Industrial Baymaster™ and High Lumen LED Luminaire

High Bay for Ordinary Locations

NEC/CEC:

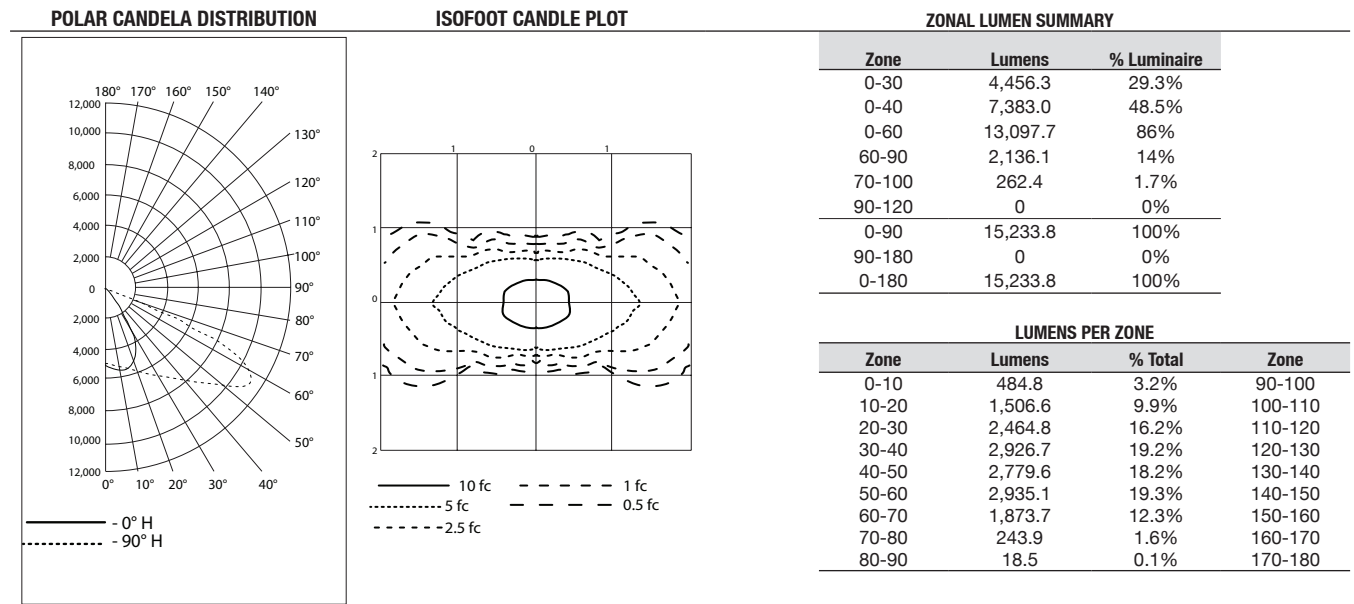
Marine outside type (salt water) for USA Only
 Wet locations
 Type 3R, 4, 4X
 IP66/67

Photometric Data — DATA SHOWN IS ABSOLUTE

Aisle, Clear Glass

REPORT NUMBER: **BLLPL7CGANBU**

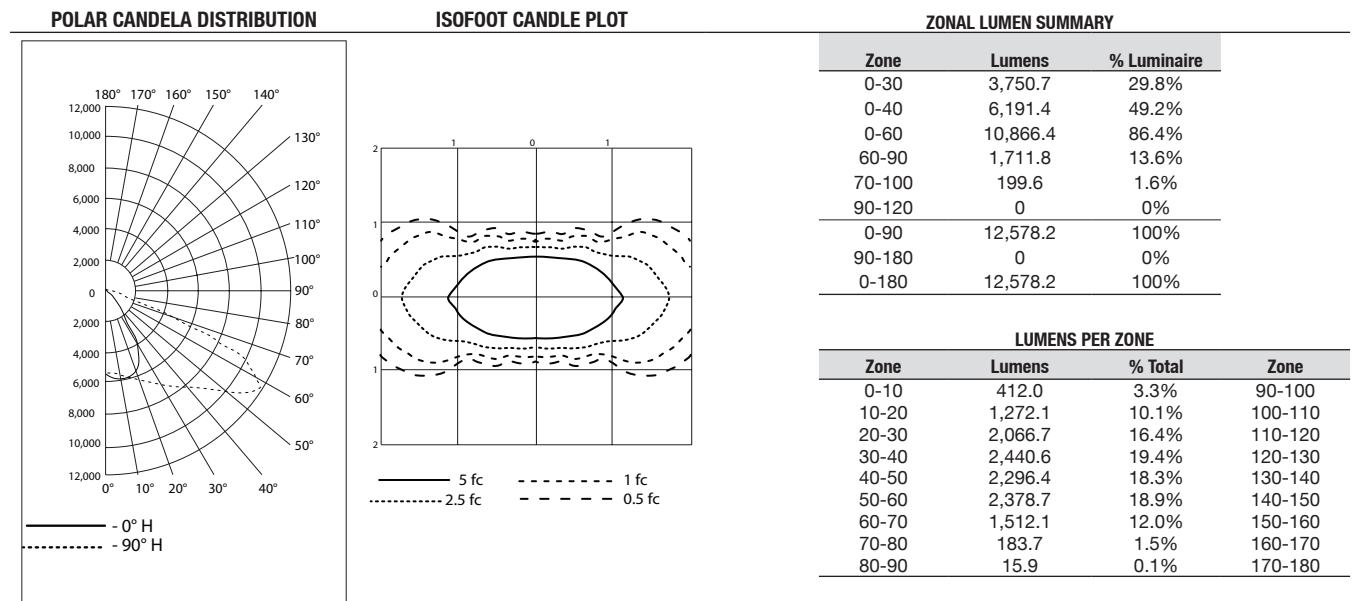
Luminaire Lumens 15,234



Aisle, Clear Glass

REPORT NUMBER: **BLLPL7WGANBU**

Luminaire Lumens 12,579



Industrial Baymaster™ and High Lumen LED Luminaire

High Bay for Ordinary Locations

NEC/CEC:

Marine outside type (salt water) for USA Only
 Wet locations
 Type 3R, 4, 4X
 IP66/67

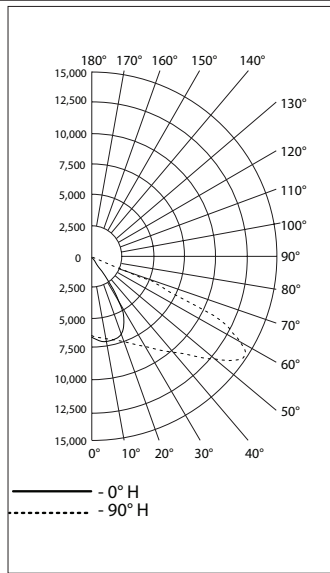
Photometric Data – DATA SHOWN IS ABSOLUTE

Aisle, Clear Glass

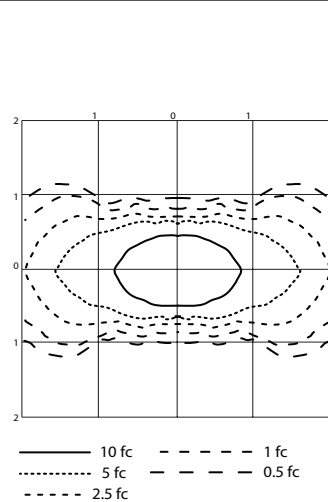
REPORT NUMBER: **BLLPL8CGANBU**

Luminaire Lumens 19,774

POLAR CANDELA DISTRIBUTION



ISOFOOT CANDLE PLOT



FLOOD SUMMARY

Zone	Lumens	% Luminaire
0-30	5,782.9	29.2%
0-40	9,577.4	48.4%
0-60	17,028.6	86.1%
60-90	2,744.6	13.9%
70-100	335.8	1.7%
90-120	0	0%
0-90	19,773.2	100%
90-180	0	0%
0-180	19,773.2	100%

LUMENS PER ZONE

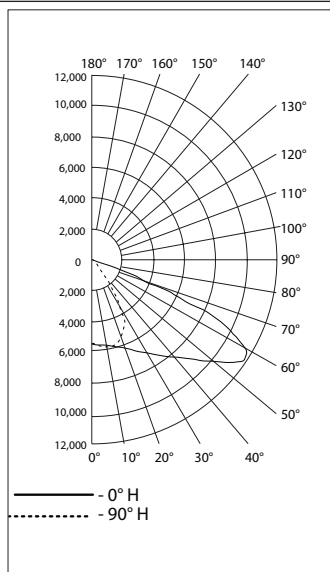
Zone	Lumens	% Total	Zone
0-10	629.4	3.2%	90-100
10-20	1,956.0	9.9%	100-110
20-30	3,197.4	16.2%	110-120
30-40	3,794.6	19.2%	120-130
40-50	3,616.6	18.3%	130-140
50-60	3,834.5	19.4%	140-150
60-70	2,408.8	12.2%	150-160
70-80	310.4	1.6%	160-170
80-90	25.4	0.1%	170-180

Aisle, Clear Glass

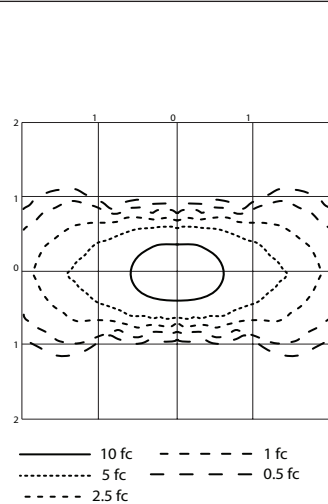
REPORT NUMBER: **BLLPL8WGANBU**

Luminaire Lumens 16,350

POLAR CANDELA DISTRIBUTION



ISOFOOT CANDLE PLOT



ZONAL LUMEN SUMMARY

Zone	Lumens	% Luminaire
0-30	4,884.8	29.9%
0-40	8,058.6	49.3%
0-60	14,153.0	86.6%
60-90	2,196.0	13.4%
70-100	253.6	1.6%
90-120	0	0%
0-90	16,349.0	100%
90-180	0	0%
0-180	16,349.0	100%

LUMENS PER ZONE

Zone	Lumens	% Total	Zone
0-10	536.5	3.3%	90-100
10-20	1,657.0	10.1%	100-110
20-30	2,691.4	16.5%	110-120
30-40	3,173.7	19.4%	120-130
40-50	2,984.8	18.3%	130-140
50-60	3,109.6	19.0%	140-150
60-70	1,942.4	11.9%	150-160
70-80	232.7	1.4%	160-170
80-90	20.8	0.1%	170-180

LED/HIGH BAY: NEC/CEC ORDINARY LOCATION

APPLETON™

Industrial Baymaster™ and High Lumen LED Luminaire

High Bay for Ordinary Locations

NEC/CEC:

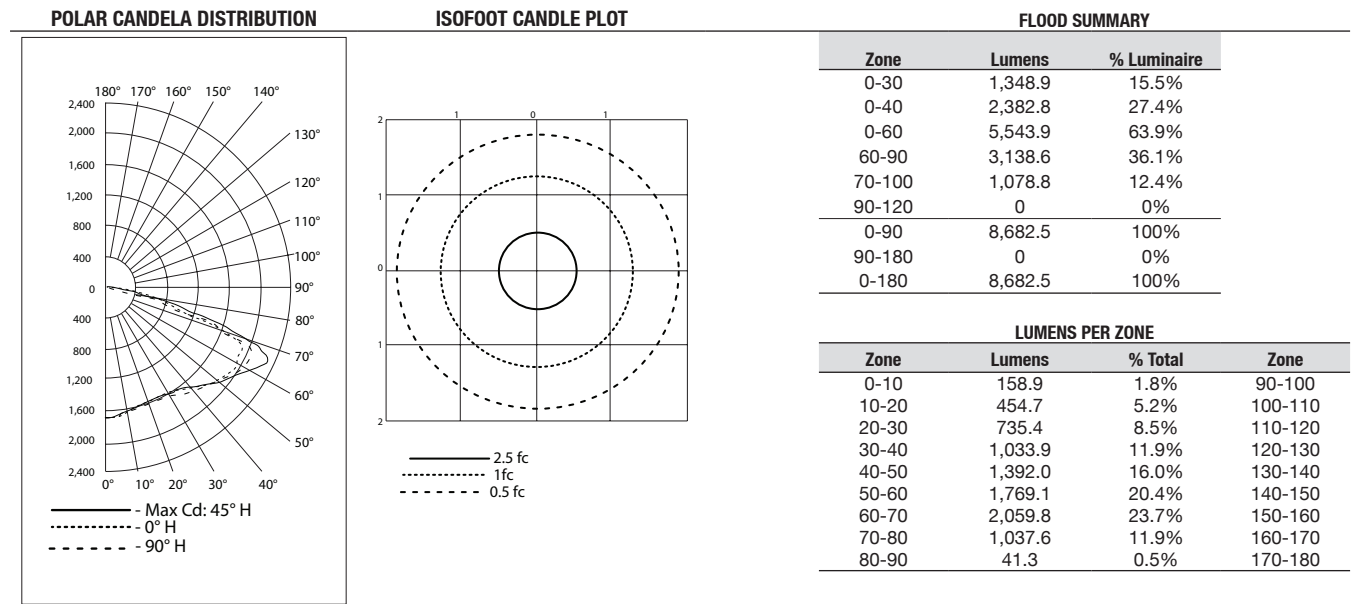
Marine outside type (salt water) for USA Only
 Wet locations
 Type 3R, 4, 4X
 IP66/67

Photometric Data — DATA SHOWN IS ABSOLUTE

Type V Wide, Clear Glass

REPORT NUMBER: **BLLPL6CGWNBU**

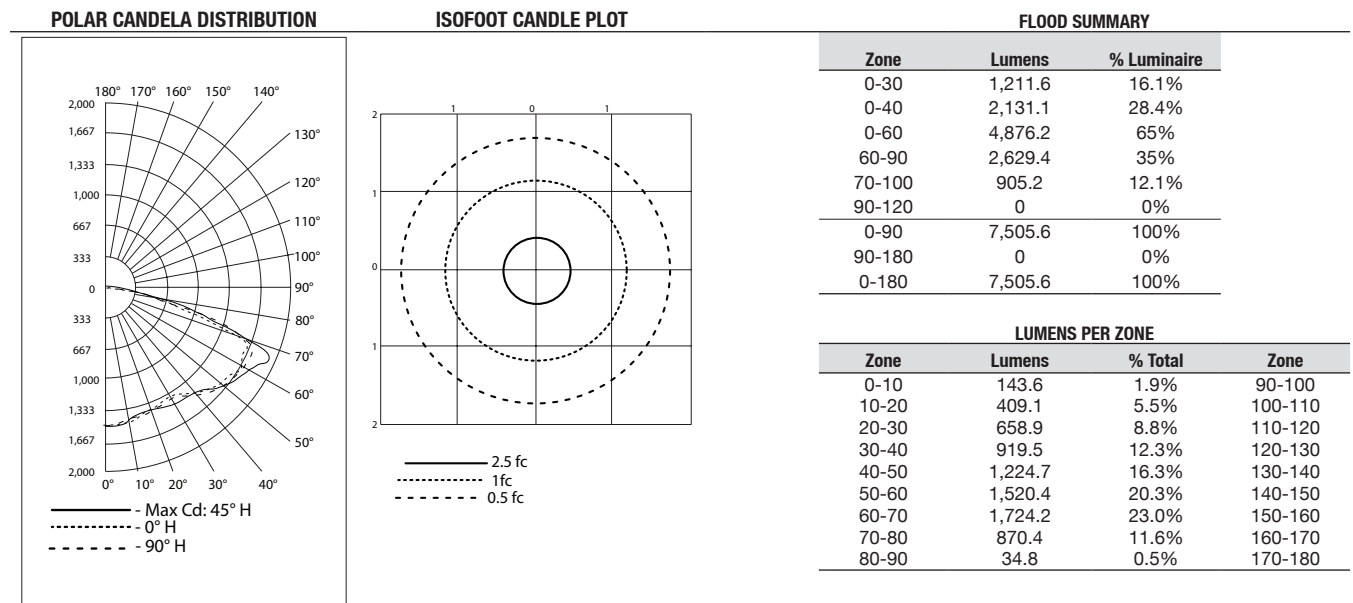
Luminaire Lumens 8,682



Type V Wide, Clear Glass

REPORT NUMBER: **BLLPI6WGWNBUB**

Luminaire Lumens 7,506



Industrial Baymaster™ and High Lumen LED Luminaire

High Bay for Ordinary Locations

NEC/CEC:

Marine outside type (salt water) for USA Only
 Wet locations
 Type 3R, 4, 4X
 IP66/67

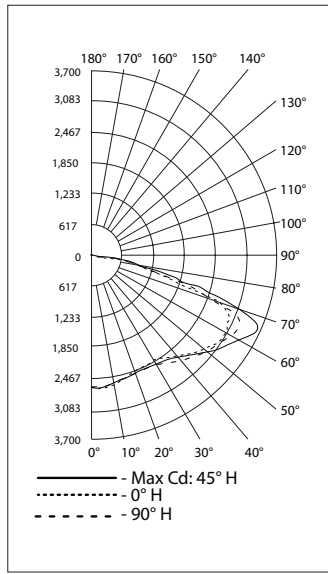
Photometric Data — DATA SHOWN IS ABSOLUTE

Type V Wide, Clear Glass

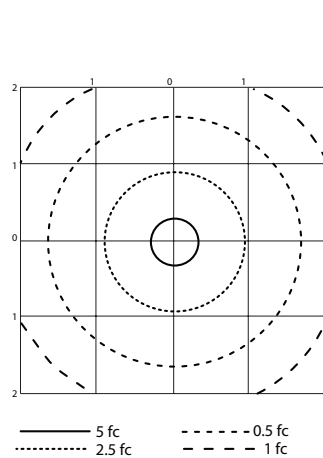
REPORT NUMBER: **BLLPL7CGWNBU**

Luminaire Lumens 13,608

POLAR CANDELA DISTRIBUTION



ISOFOOT CANDLE PLOT



FLOOD SUMMARY

Zone	Lumens	% Luminaire
0-30	2,119.5	15.6%
0-40	3,743.3	27.5%
0-60	8,711.1	64%
60-90	4,897.4	36%
70-100	1,668.8	12.3%
90-120	0	0%
0-90	13,608.5	100%
90-180	0	0%
0-180	13,608.5	100%

LUMENS PER ZONE

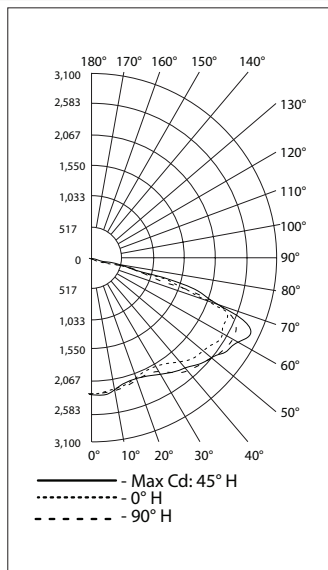
Zone	Lumens	% Total	Zone
0-10	249.6	1.8%	90-100
10-20	714.5	5.3%	100-110
20-30	1,155.4	8.5%	110-120
30-40	1,623.7	11.9%	120-130
40-50	2,188.0	16.1%	130-140
50-60	2,779.9	20.4%	140-150
60-70	3,228.7	23.7%	150-160
70-80	1,606.3	11.8%	160-170
80-90	62.4	0.5%	170-180

Type V Wide, Clear Glass

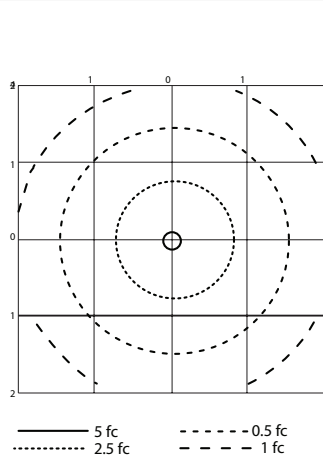
REPORT NUMBER: **BLLPI7WGWNU**

Luminaire Lumens 11,351

POLAR CANDELA DISTRIBUTION



ISOFOOT CANDLE PLOT



FLOOD SUMMARY

Zone	Lumens	% Luminaire
0-30	1,832.3	16.1%
0-40	3,226.8	28.4%
0-60	7,385.1	65.1%
60-90	3,965.6	34.9%
70-100	1,355.2	11.9%
90-120	0	0%
0-90	11,350.7	100%
90-180	0	0%
0-180	11,350.7	100%

LUMENS PER ZONE

Zone	Lumens	% Total	Zone
0-10	216.7	1.9%	90-100
10-20	618.0	5.4%	100-110
20-30	997.6	8.8%	110-120
30-40	1,394.6	12.3%	120-130
40-50	1,855.9	16.4%	130-140
50-60	2,302.3	20.3%	140-150
60-70	2,610.5	23.0%	150-160
70-80	1,305.4	11.5%	160-170
80-90	49.8	0.4%	170-180

LED/HIGH BAY: NEC/CEC ORDINARY LOCATION

APPLETON™

Industrial Baymaster™ and High Lumen LED Luminaire

High Bay for Ordinary Locations

NEC/CEC:

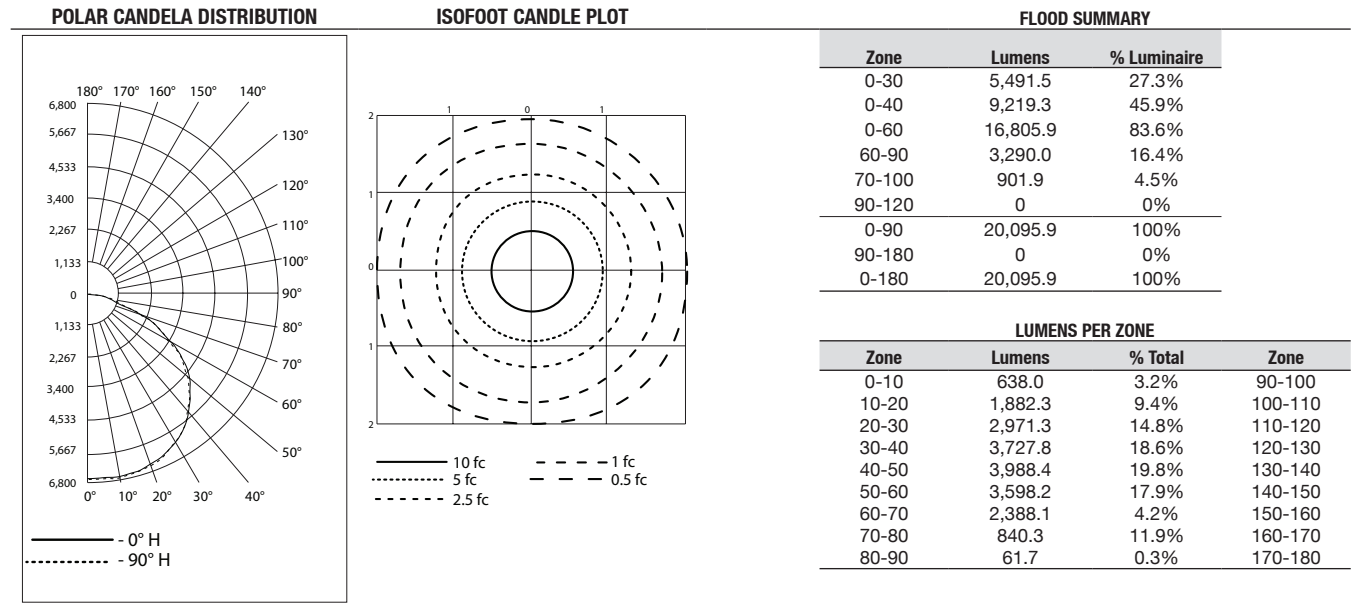
Marine outside type (salt water) for USA Only
 Wet locations
 Type 3R, 4, 4X
 IP66/67

Photometric Data – DATA SHOWN IS ABSOLUTE

Type V, Clear Glass

REPORT NUMBER: **BLLPL8CGMNB**

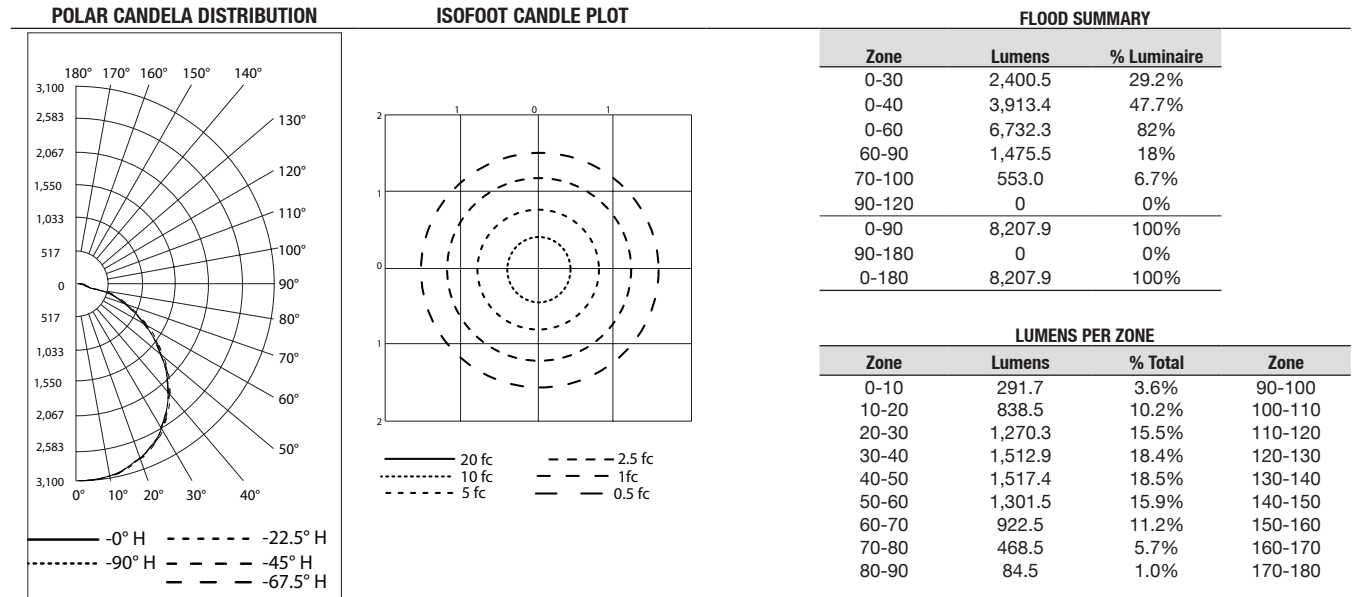
Luminaire Lumens 20,097



Type V, Frosted Glass

REPORT NUMBER: **BLLPL6CFMNB**

Luminaire Lumens 8,209



Industrial Baymaster™ and High Lumen LED Luminaire

High Bay for Ordinary Locations

NEC/CEC:

Marine outside type (salt water) for USA Only
 Wet locations
 Type 3R, 4, 4X
 IP66/67

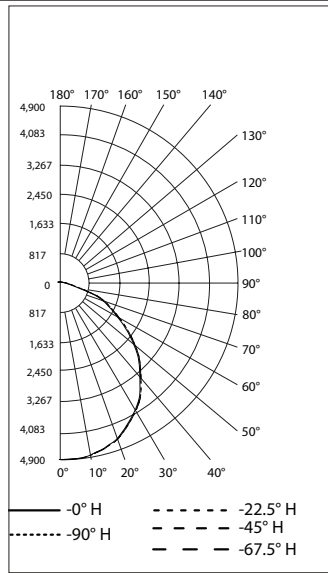
Photometric Data – DATA SHOWN IS ABSOLUTE

Type V, Frosted Glass

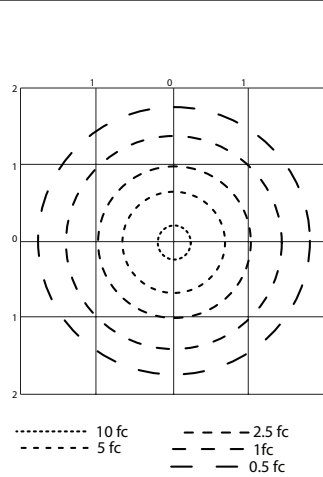
REPORT NUMBER: **BLLPL7CFMNB**

Luminaire Lumens 12,955

POLAR CANDELA DISTRIBUTION



ISOFOOT CANDLE PLOT



FLOOD SUMMARY

Zone	Lumens	% Luminaire
0-30	3,794.5	29.3%
0-40	6,181.5	47.7%
0-60	10,623.4	82%
60-90	2,330.5	18%
70-100	875.2	6.8%
90-120	0	0%
0-90	12,953.9	100%
90-180	0	0%
0-180	12,953.9	100%

LUMENS PER ZONE

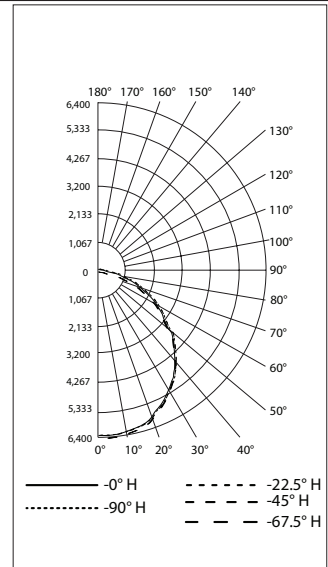
Zone	Lumens	% Total	Zone
0-10	461.3	3.6%	90-100
10-20	1,326.2	10.2%	100-110
20-30	2,007.0	15.5%	110-120
30-40	2,387.0	18.4%	120-130
40-50	2,392.1	18.5%	130-140
50-60	2,049.8	15.8%	140-150
60-70	1,455.3	11.2%	150-160
70-80	740.7	5.7%	160-170
80-90	134.5	1.0%	170-180

Type V, Clear Glass

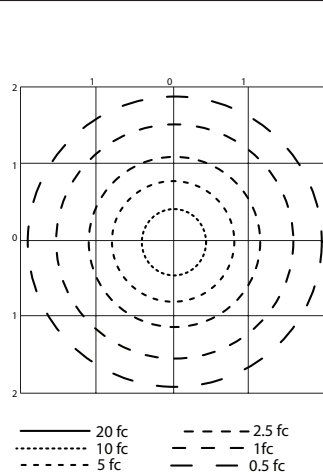
REPORT NUMBER: **BLLPL8CFMNB**

Luminaire Lumens 16,711

POLAR CANDELA DISTRIBUTION



ISOFOOT CANDLE PLOT



FLOOD SUMMARY

Zone	Lumens	% Luminaire
0-30	4,907.8	29.4%
0-40	7,989.9	47.8%
0-60	13,718.2	82.1%
60-90	2,991.4	17.9%
70-100	1,120.8	6.7%
90-120	0	0%
0-90	16,709.6	100%
90-180	0	0%
0-180	16,709.6	100%

LUMENS PER ZONE

Zone	Lumens	% Total	Zone
0-10	597.1	3.6%	90-100
10-20	1,715.9	10.3%	100-110
20-30	2,594.8	15.5%	110-120
30-40	3,082.1	18.4%	120-130
40-50	3,086.8	18.5%	130-140
50-60	2,641.5	15.8%	140-150
60-70	1,870.6	11.2%	150-160
70-80	949.8	5.7%	160-170
80-90	171.0	1.0%	170-180

LED/HIGH BAY: NEC/CEC ORDINARY LOCATION

APPLETON™

Industrial Baymaster™ and High Lumen LED Luminaire

High Bay for Ordinary Locations

NEC/CEC:

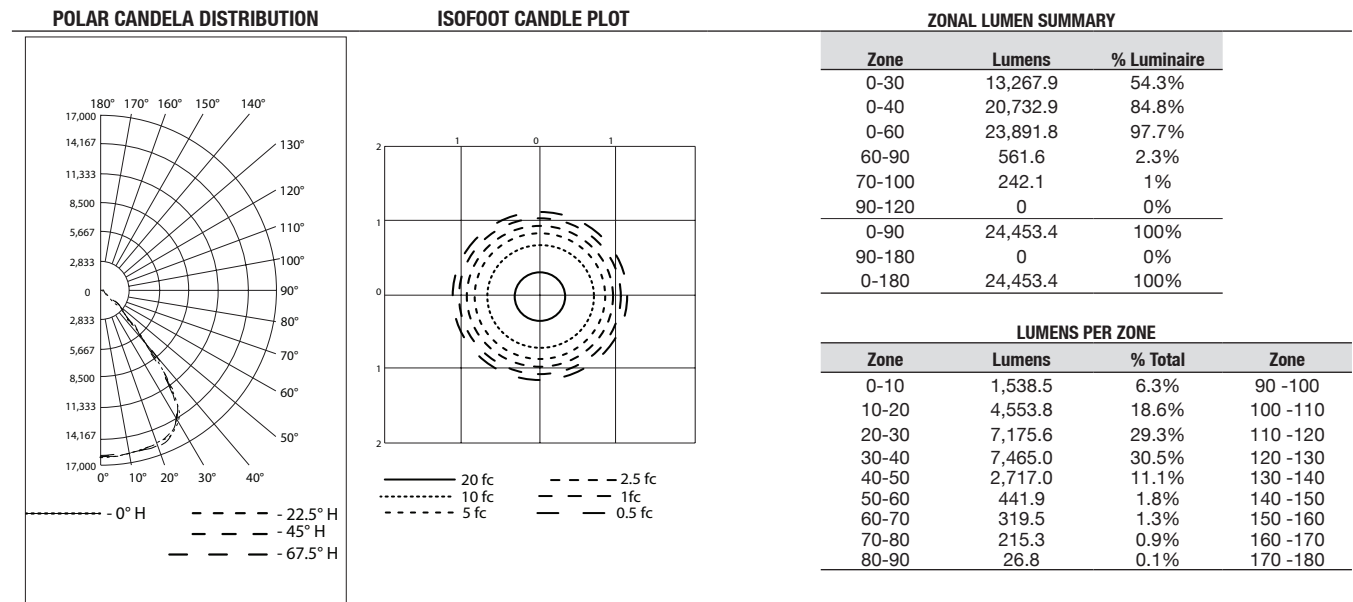
Marine outside type (salt water) for USA Only
 Wet locations
 Type 3R, 4, 4X
 IP66/67

Photometric Data – DATA SHOWN IS ABSOLUTE

Type V Narrow, Clear Glass 5000K CCT

REPORT NUMBER: BHLPL1CGNNBU

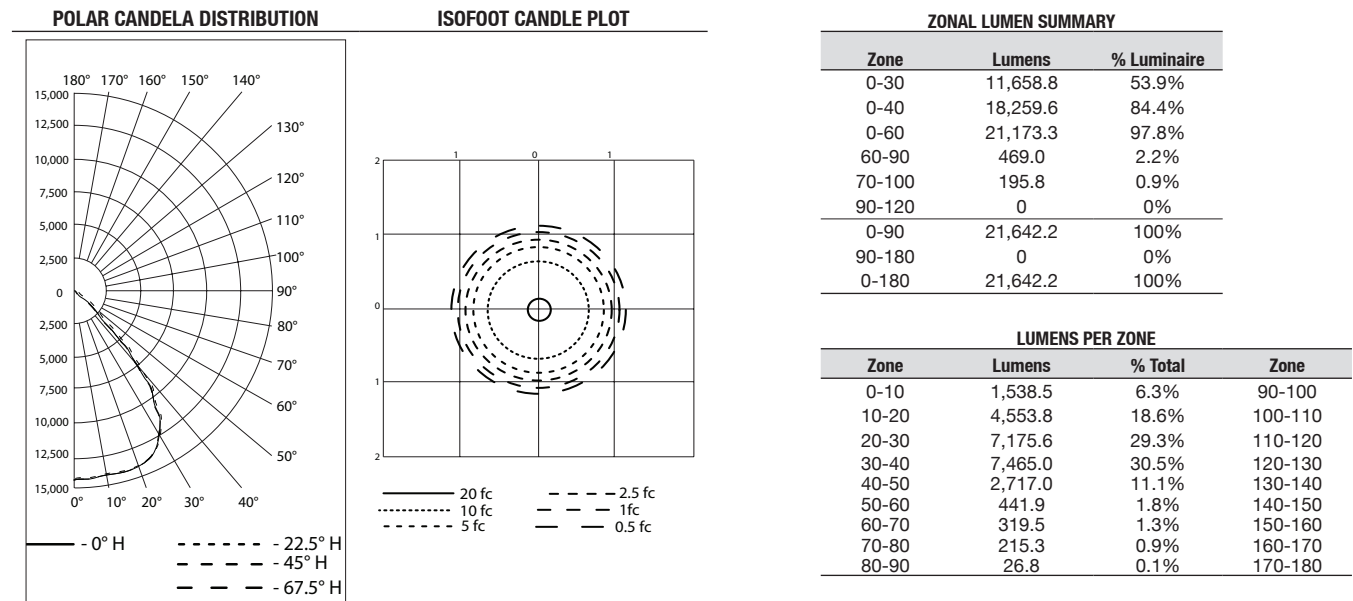
Luminaire Lumens 24,459



Type V Narrow, Clear Glass 3000K CCT

REPORT NUMBER: BHLPL1WGNNBU

Luminaire Lumens 21,648



Industrial Baymaster™ and High Lumen LED Luminaire

High Bay for Ordinary Locations

NEC/CEC:

Marine outside type (salt water) for USA Only
 Wet locations
 Type 3R, 4, 4X
 IP66/67

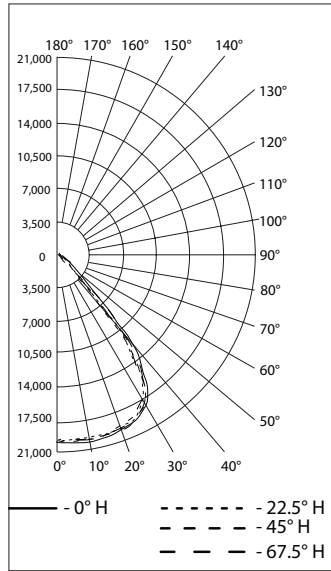
Photometric Data — DATA SHOWN IS ABSOLUTE

Type V Narrow, Clear Glass 5000K CCT

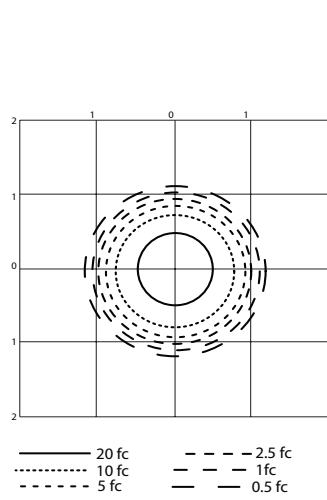
REPORT NUMBER: BHLPL2CGNNBU

Luminaire Lumens 30,396

POLAR CANDELA DISTRIBUTION



ISOFOOT CANDLE PLOT



ZONAL LUMEN SUMMARY

Zone	Lumens	% Luminaire
0-30	16,453.1	54.1%
0-40	25,742.1	84.7%
0-60	29,699.7	97.7%
60-90	688.8	2.3%
70-100	296.7	1%
90-120	0	0%
0-90	30,388.4	100%
90-180	0	0%
0-180	30,388.4	100%

LUMENS PER ZONE

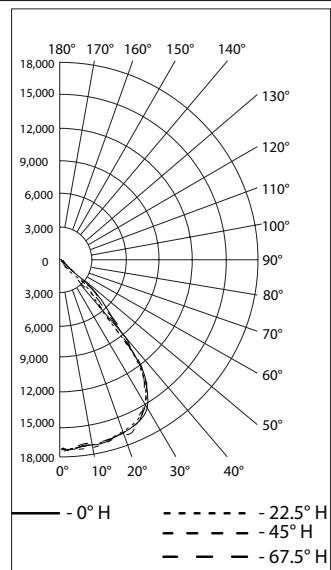
Zone	Lumens	% Total	Zone
0-10	1,909.5	6.3%	90-100
10-20	5,644.4	18.6%	100-110
20-30	8,899.2	29.3%	110-120
30-40	9,289.1	30.6%	120-130
40-50	3,411.2	11.2%	130-140
50-60	546.3	1.8%	140-150
60-70	392.0	1.3%	150-160
70-80	263.9	0.9%	160-170
80-90	32.9	0.1%	170-180

Type V Narrow, Clear Glass 3000K CCT

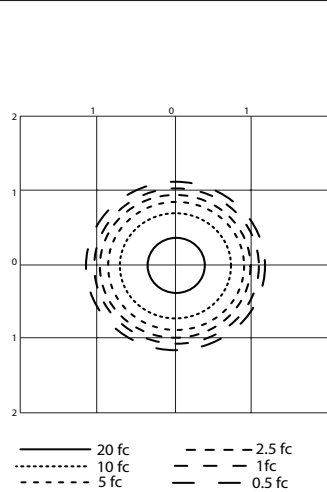
REPORT NUMBER: BHLPL2WGNNBU

Luminaire Lumens 25,785

POLAR CANDELA DISTRIBUTION



ISOFOOT CANDLE PLOT



ZONAL LUMEN SUMMARY

Zone	Lumens	% Luminaire
0-30	13,938.3	54.1%
0-40	21,797.3	84.6%
0-60	25,219.8	97.8%
60-90	559.0	2.2%
70-100	234.4	0.9%
90-120	0	0%
0-90	25,778.8	100%
90-180	0	0%
0-180	25,778.8	100%

LUMENS PER ZONE

Zone	Lumens	% Total	Zone
0-10	1,633.4	6.3%	90-100
10-20	4,795.3	18.6%	100-110
20-30	7,509.5	29.1%	110-120
30-40	7,859.0	30.5%	120-130
40-50	2,974.1	11.5%	130-140
50-60	448.4	1.7%	140-150
60-70	324.5	1.3%	150-160
70-80	208.1	0.8%	160-170
80-90	26.3	0.1%	170-180

LED/HIGH BAY: NEC/CEC ORDINARY LOCATION

APPLETON™

Industrial Baymaster™ and High Lumen LED Luminaire

High Bay for Ordinary Locations

NEC/CEC:

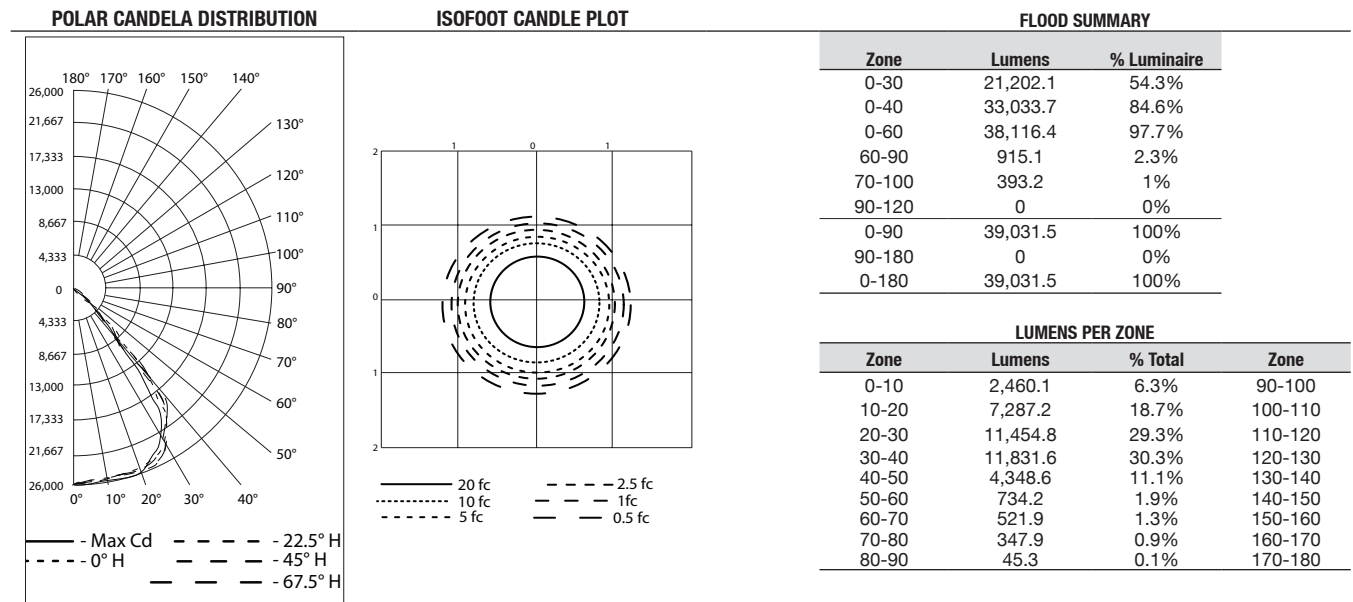
Marine outside type (salt water) for USA Only
 Wet locations
 Type 3R, 4, 4X
 IP66/67

Photometric Data – DATA SHOWN IS ABSOLUTE

Type V Narrow, Clear Glass 5000K CCT

REPORT NUMBER: BHLPL3CGNNBU

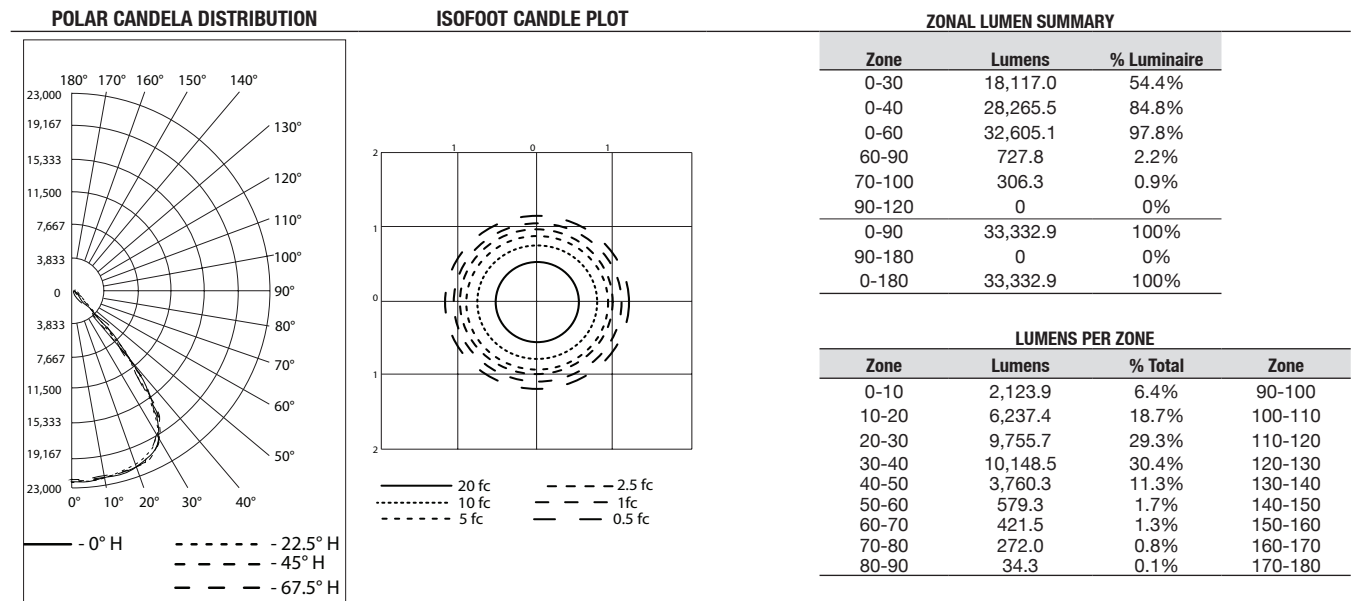
Luminaire Lumens 39,041



Type V Narrow, Clear Glass 3000K CCT

REPORT NUMBER: BHLPL3WGNNU

Luminaire Lumens 33,341



Industrial Baymaster™ and High Lumen LED Luminaire

High Bay for Ordinary Locations

NEC/CEC:

Marine outside type (salt water) for USA Only
 Wet locations
 Type 3R, 4, 4X
 IP66/67

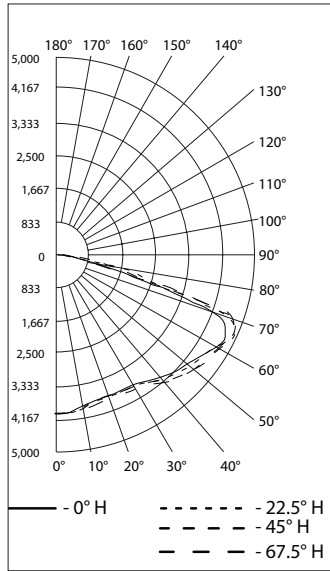
Photometric Data – DATA SHOWN IS ABSOLUTE

Type V Wide, Clear Glass 5000K CCT

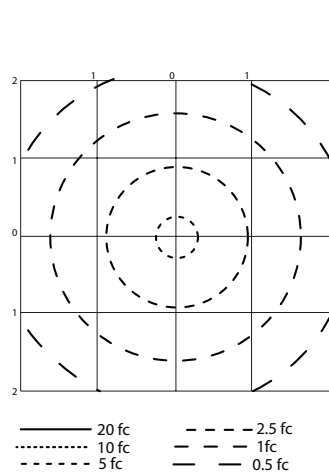
REPORT NUMBER: BHLPL1CGWNBU

Luminaire Lumens 20,665

POLAR CANDELA DISTRIBUTION



ISOFOOT CANDLE PLOT



FLOOD SUMMARY

Zone	Lumens	% Luminaire
0-30	3,267.5	15.8%
0-40	5,791.9	28%
0-60	13,265.1	64.2%
60-90	7,399.9	35.8%
70-100	2,655.4	12.8%
90-120	0	0%
0-90	20,665.1	100%
90-180	0	0%
0-180	20,665.1	100%

LUMENS PER ZONE

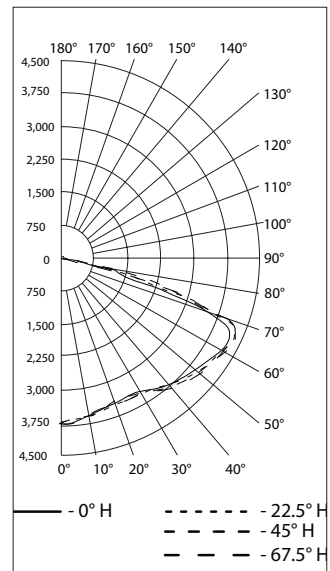
Zone	Lumens	% Total	Zone
0-10	381.9	1.8%	90-100
10-20	1,094.7	5.3%	100-110
20-30	1,790.9	8.7%	110-120
30-40	2,524.4	12.2%	120-130
40-50	3,359.2	16.3%	130-140
50-60	4,114.0	19.9%	140-150
60-70	4,744.6	23.0%	150-160
70-80	2,541.1	12.3%	160-170
80-90	114.3	0.6%	170-180

Type V Wide, Clear Glass 3000K CCT

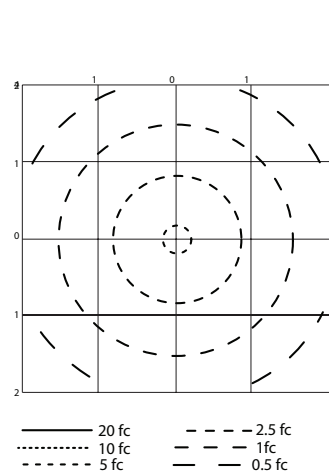
REPORT NUMBER: BHLPL1WGWNBUB

Luminaire Lumens 18,689

POLAR CANDELA DISTRIBUTION



ISOFOOT CANDLE PLOT



FLOOD SUMMARY

Zone	Lumens	% Luminaire
0-30	3,003.0	16.1%
0-40	5,307.9	28.4%
0-60	12,100.9	64.7%
60-90	6,587.8	35.3%
70-100	2,340.7	12.5%
90-120	0	0%
0-90	18,688.8	100%
90-180	0	0%
0-180	18,688.8	100%

LUMENS PER ZONE

Zone	Lumens	% Total	Zone
0-10	352.0	1.9%	90-100
10-20	1,008.1	5.4%	100-110
20-30	1,642.9	8.8%	110-120
30-40	2,305.0	12.3%	120-130
40-50	3,058.7	16.4%	130-140
50-60	3,734.3	20.0%	140-150
60-70	4,247.1	22.7%	150-160
70-80	2,247.7	12.0%	160-170
80-90	93.1	0.5%	170-180

LED/HIGH BAY - NEC/CEC ORDINARY LOCATION

APPLETON™

Industrial Baymaster™ and High Lumen LED Luminaire

High Bay for Ordinary Locations

NEC/CEC:

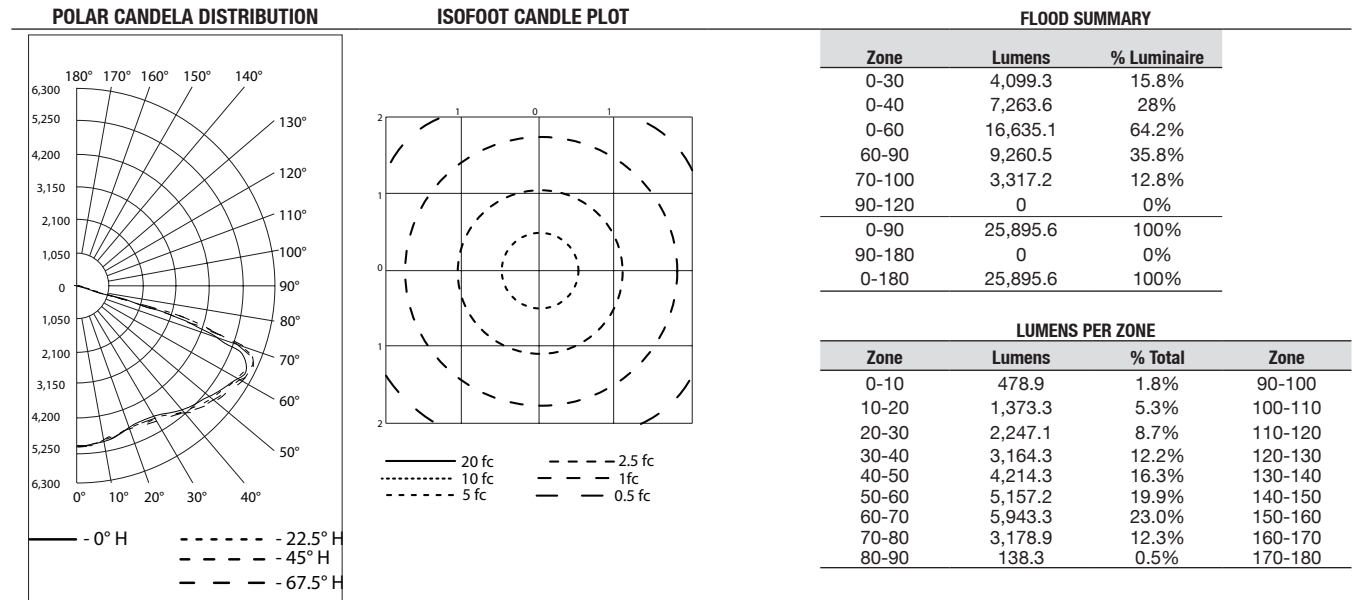
Marine outside type (salt water) for USA Only
 Wet locations
 Type 3R, 4, 4X
 IP66/67

Photometric Data – DATA SHOWN IS ABSOLUTE

Type V Wide, Clear Glass 5000K CCT

REPORT NUMBER: **BHLPL2CGWNBU**

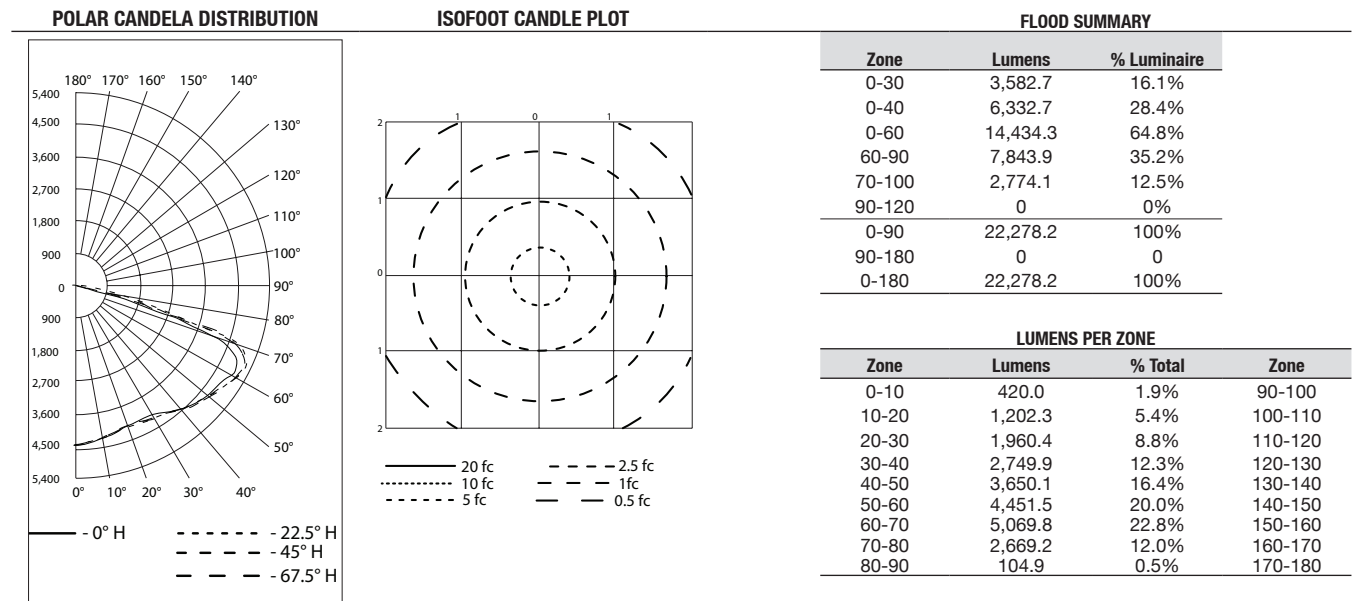
Luminaire Lumens 25, 896



Type V Wide, Clear Glass 3000K CCT

REPORT NUMBER: **BHLPL2WGWNBNU**

Luminaire Lumens 22,278



Industrial Baymaster™ and High Lumen LED Luminaire

High Bay for Ordinary Locations

NEC/CEC:

Marine outside type (salt water) for USA Only
 Wet locations
 Type 3R, 4, 4X
 IP66/67

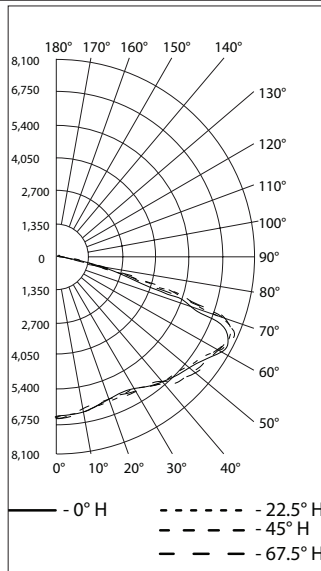
Photometric Data – DATA SHOWN IS ABSOLUTE

Type V Wide, Clear Glass 5000K CCT

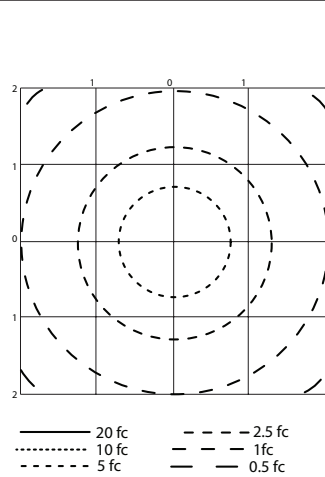
REPORT NUMBER: **BHLPL3CGWNBU**

Luminaire Lumens 33,374

POLAR CANDELA DISTRIBUTION



ISOFOOT CANDLE PLOT



FLOOD SUMMARY

Zone	Lumens	% Luminaire
0-30	5,286.5	15.8%
0-40	9,369.3	28.1%
0-60	21,475.2	64.3%
60-90	11,898.9	35.7%
70-100	4,224.4	12.7%
90-120	0	0%
0-90	33,374.1	100%
90-180	0	0%
0-180	33,374.1	100%

LUMENS PER ZONE

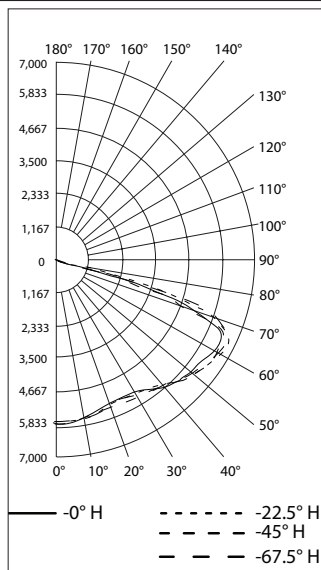
Zone	Lumens	% Total	Zone
0-10	617.3	1.8%	90-100
10-20	1,771.1	5.3%	100-110
20-30	2,898.1	8.7%	110-120
30-40	4,082.8	12.2%	120-130
40-50	5,443.0	16.3%	130-140
50-60	6,662.9	20.0%	140-150
60-70	7,674.5	23.0%	150-160
70-80	4,065.1	12.2%	160-170
80-90	159.3	0.5%	170-180

Type V Wide, Clear Glass 3000K CCT

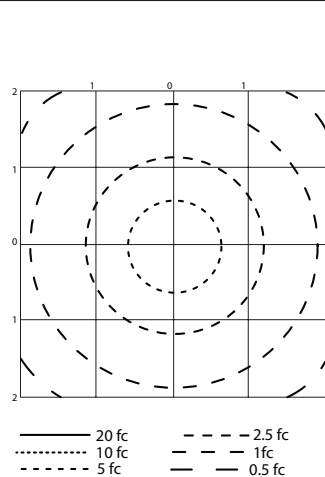
REPORT NUMBER: **BHLPL3WGWNBUB**

Luminaire Lumens 28,864

POLAR CANDELA DISTRIBUTION



ISOFOOT CANDLE PLOT



FLOOD SUMMARY

Zone	Lumens	% Luminaire
0-30	4,643.3	16.1%
0-40	8,209.1	28.4%
0-60	18,724.5	64.9%
60-90	10,139.9	35.1%
70-100	3,562.1	12.3%
90-120	0	0%
0-90	28,864.4	100%
90-180	0	0%
0-180	28,864.4	100%

LUMENS PER ZONE

Zone	Lumens	% Total	Zone
0-10	544.2	1.9%	90-100
10-20	1,558.1	5.4%	100-110
20-30	2,541.0	8.8%	110-120
30-40	3,565.8	12.4%	120-130
40-50	4,737.0	16.4%	130-140
50-60	5,778.4	20.0%	140-150
60-70	6,577.8	22.8%	150-160
70-80	3,431.3	11.9%	160-170
80-90	130.9	0.5%	170-180

LED/HIGH BAY: NEC/CEC ORDINARY LOCATION

APPLETON™

Industrial Baymaster™ and High Lumen LED Luminaire

High Bay for Ordinary Locations

NEC/CEC:

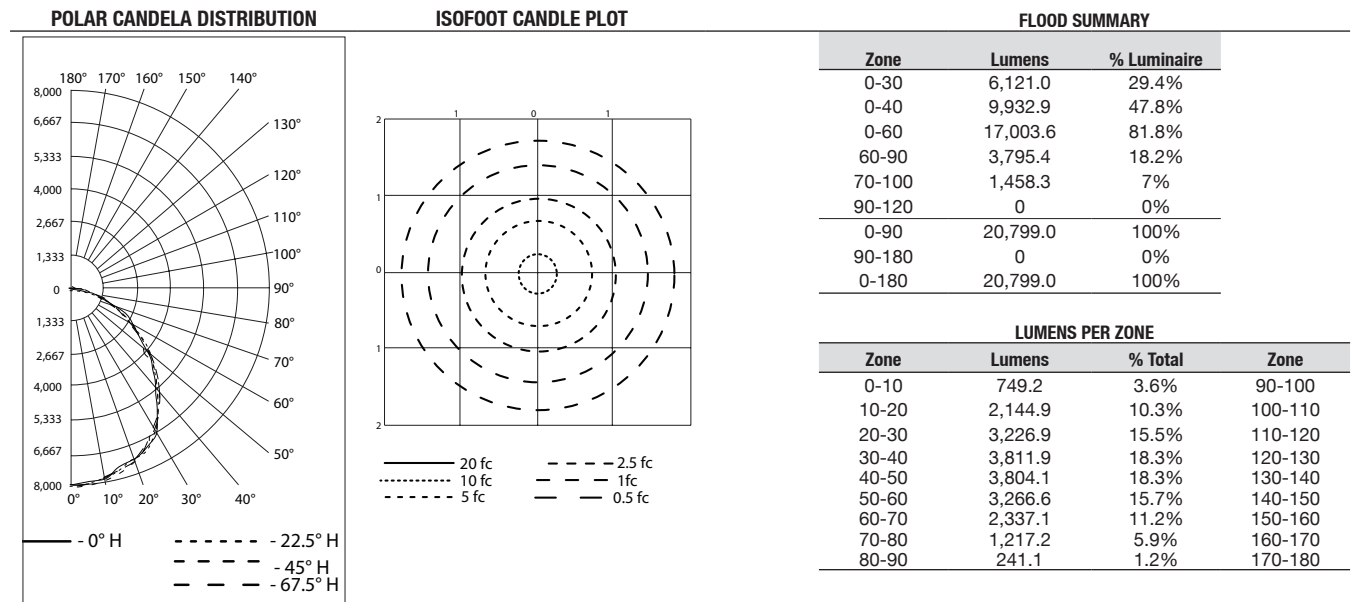
Marine outside type (salt water) for USA Only
 Wet locations
 Type 3R, 4, 4X
 IP66/67

Photometric Data – DATA SHOWN IS ABSOLUTE

Type V Medium, Frosted Glass 5000K CCT

REPORT NUMBER: **BHLPL1CFMNB**

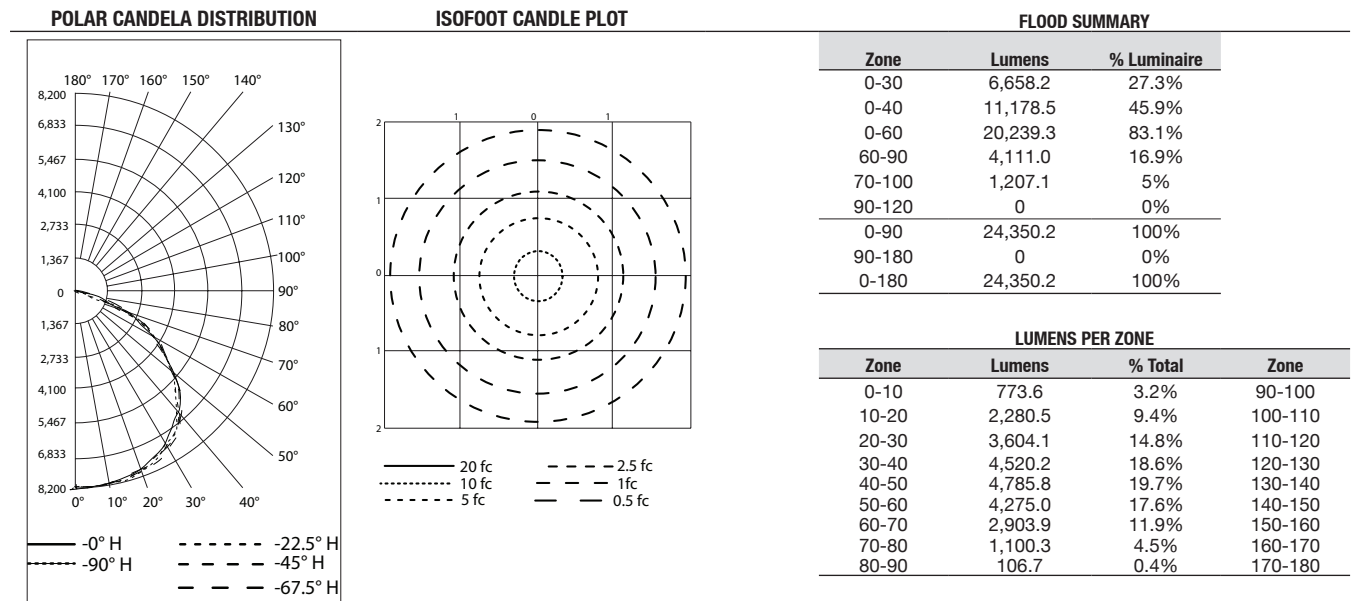
Luminaire Lumens 20,801



Type V Medium, Clear Glass 5000K CCT

REPORT NUMBER: **BHLPL1CGMNB**

Luminaire Lumens 24,352



Industrial Baymaster™ and High Lumen LED Luminaire

High Bay for Ordinary Locations

NEC/CEC:

Marine outside type (salt water) for USA Only
 Wet locations
 Type 3R, 4, 4X
 IP66/67

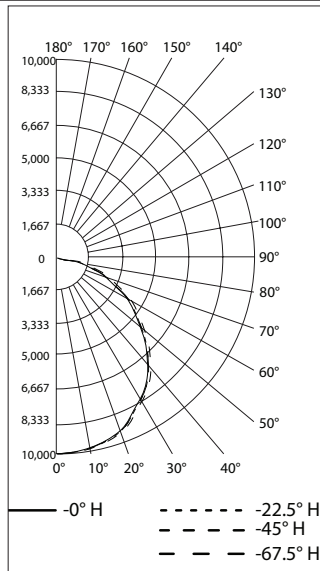
Photometric Data – DATA SHOWN IS ABSOLUTE

Type V Medium, Frosted Glass 5000K CCT

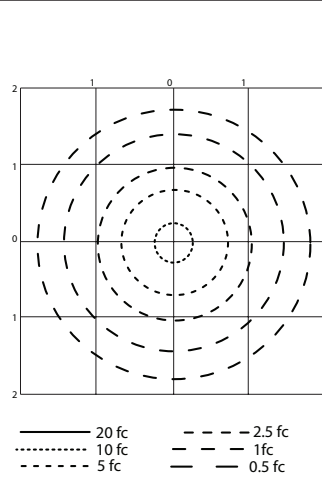
REPORT NUMBER: **BHLPL2CFMNB**

Luminaire Lumens 25,979

POLAR CANDELA DISTRIBUTION



ISOFOOT CANDLE PLOT



FLOOD SUMMARY

Zone	Lumens	% Luminaire
0-30	7,656.5	29.5%
0-40	12,418.0	47.8%
0-60	21,243.5	81.8%
60-90	4,733.5	18.2%
70-100	1,818.2	7%
90-120	0	0%
0-90	25,977.0	100%
90-180	0	0%
0-180	25,977.0	100%

LUMENS PER ZONE

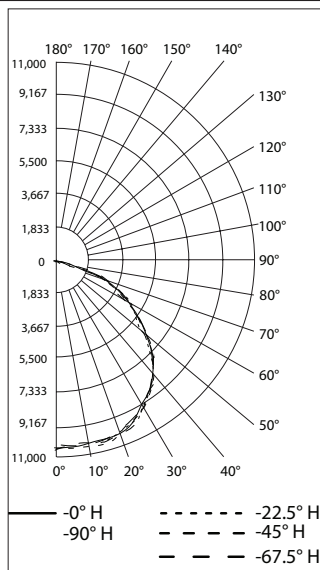
Zone	Lumens	% Total	Zone
0-10	937.3	3.6%	90-100
10-20	2,683.1	10.3%	100-110
20-30	4,036.1	15.5%	110-120
30-40	4,761.5	18.3%	120-130
40-50	4,748.8	18.3%	130-140
50-60	4,076.7	15.7%	140-150
60-70	2,915.3	11.2%	150-160
70-80	1,517.9	5.8%	160-170
80-90	300.3	1.2%	170-180

Type V Medium, Clear Glass 5000K CCT

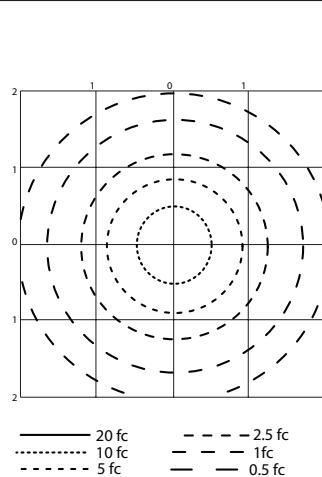
REPORT NUMBER: **BHLPL2CGMNB**

Luminaire Lumens 30,375

POLAR CANDELA DISTRIBUTION



ISOFOOT CANDLE PLOT



FLOOD SUMMARY

Zone	Lumens	% Luminaire
0-30	8,323.9	27.4%
0-40	13,968.9	46%
0-60	25,264.2	83.2%
60-90	5,108.3	16.8%
70-100	1,499.7	4.9%
90-120	0	0%
0-90	30,372.5	100%
90-180	0	0%
0-180	30,372.5	100%

LUMENS PER ZONE

Zone	Lumens	% Total	Zone
0-10	967.1	3.2%	90-100
10-20	2,851.3	9.4%	100-110
20-30	4,505.5	14.8%	110-120
30-40	5,645.0	18.6%	120-130
40-50	5,970.4	19.7%	130-140
50-60	5,324.8	17.5%	140-150
60-70	3,608.7	11.9%	150-160
70-80	1,366.3	4.5%	160-170
80-90	133.3	0.4%	170-180

LED/HIGH BAY: NEC/CEC ORDINARY LOCATION

APPLETON™

Industrial Baymaster™ and High Lumen LED Luminaire

High Bay for Ordinary Locations

NEC/CEC:

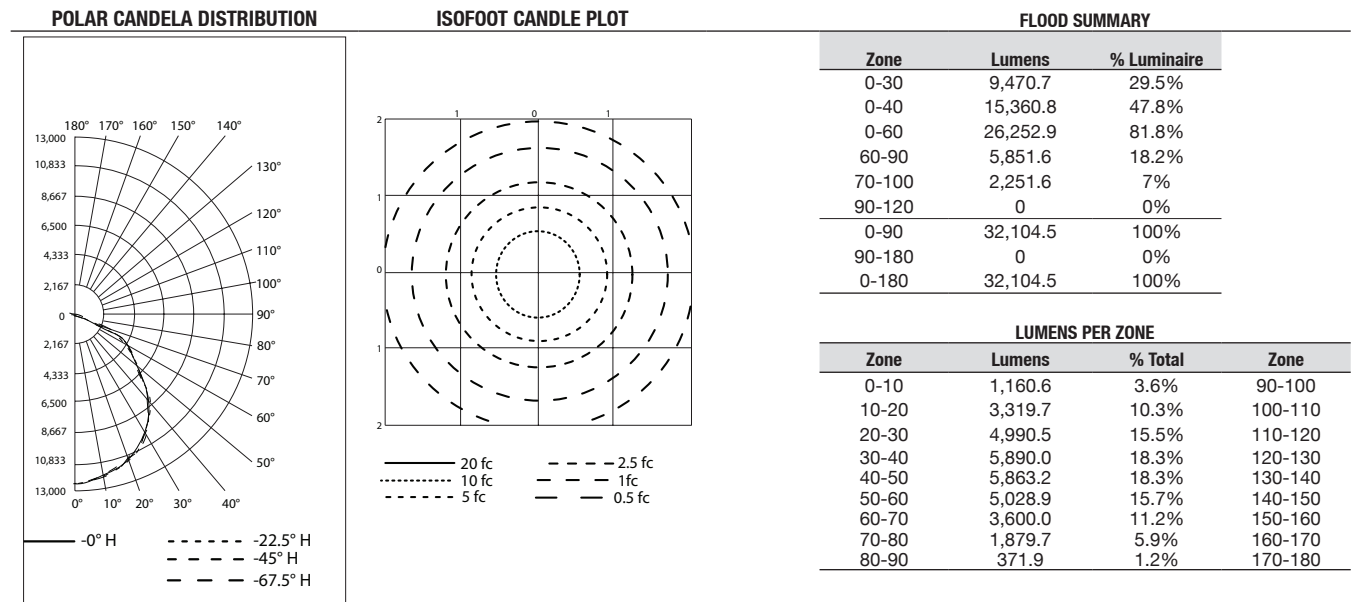
Marine outside type (salt water) for USA Only
 Wet locations
 Type 3R, 4, 4X
 IP66/67

Photometric Data – DATA SHOWN IS ABSOLUTE

Type V, Frosted Glass 5000K CCT

REPORT NUMBER: **BHLPL3CFMNB**

Luminaire Lumens 32,107



Type V, Clear Glass 5000K CCT

REPORT NUMBER: **BHLPL3CGMNB**

Luminaire Lumens 37,574

