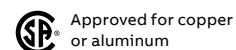



## CO2 Series

200 A 120/240 V; combination with or without breaker

### Product specifications

- Conductor range (line and load):  
1 AWG–250 kcmil
- Aluminum tunnel type connectors for both load and line sides
- For overhead and underground services
- With factory-installed neutral conductor
- Bottom compartment has provision for 2 pole circuit breaker ( max 100 A ) 10 kA breakers ( 22 kA breaker where indicated HI)
- Suitable for 120/240 V single-phase service entrance for mobile homes, trailers, temporary services, recreational parks and other commercial and residential locations
- Factory installed adjustable bracket for field installation of Siemens type QJ,QJH,QR,QRH and SQD TYPE QB and Eaton type ED
- Factory installed 2 pole circuit breaker, 10,000 a rms interrupting capacity (REMOVE RED AND ADD) UP TO 22 kA
- Supplied with screw type rings
- Weatherproof Type 3R enclosure
- Primarily used in: All provinces



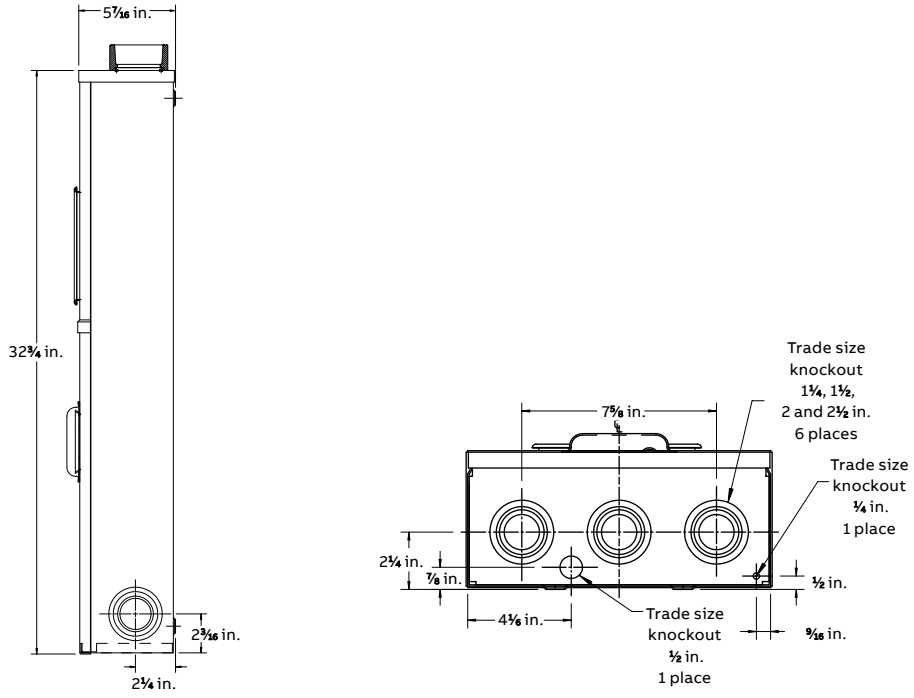
	Cat. no.	Type	Description	Dimensions (in.)			Weight each	
				H	W	D	lb	kg
	<b>4 Jaw</b>							
	CO2	Overhead	Provision for 1 X 2 pole 10 kA rated circuit breaker	32 <sup>3</sup> / <sub>4</sub>	11 <sup>13</sup> / <sub>16</sub>	5 <sup>7</sup> / <sub>16</sub>	28	12.7
	CO2-125	Overhead	Comes complete with ABB type A2A 2 pole 125 A 10 kA rated circuit breaker	32 <sup>3</sup> / <sub>4</sub>	11 <sup>13</sup> / <sub>16</sub>	5 <sup>7</sup> / <sub>16</sub>	30	13.6
	CO2-125-5V	Overhead	Comes complete with ABB type A2A 2 pole 125 A 10 kA rated circuit breaker, complete with 5th jaw	32 <sup>3</sup> / <sub>4</sub>	11 <sup>13</sup> / <sub>16</sub>	5 <sup>7</sup> / <sub>16</sub>	30	13.6
	CO2-125HI	Overhead	Comes complete with ABB type A2N 2 pole 125 A 22 kA rated circuit breaker	32 <sup>3</sup> / <sub>4</sub>	11 <sup>13</sup> / <sub>16</sub>	5 <sup>7</sup> / <sub>16</sub>	30	13.6
	CO2-150	Overhead	Comes complete with ABB type A2A 2 pole 150 A 10 kA rated circuit breaker	32 <sup>3</sup> / <sub>4</sub>	11 <sup>13</sup> / <sub>16</sub>	5 <sup>7</sup> / <sub>16</sub>	30	13.6
	CO2-150-5V	Overhead	Comes complete with ABB type A2A 2 pole 150 A 10 kA rated circuit breaker, complete with 5th jaw	32 <sup>3</sup> / <sub>4</sub>	11 <sup>13</sup> / <sub>16</sub>	5 <sup>7</sup> / <sub>16</sub>	30	13.6
	CO2-150HI	Overhead	Comes complete with ABB type A2N 2 pole 150 A 22 kA rated circuit breaker	32 <sup>3</sup> / <sub>4</sub>	11 <sup>13</sup> / <sub>16</sub>	5 <sup>7</sup> / <sub>16</sub>	30	13.6
	CO2-200	Overhead	Comes complete with ABB type A2A 2 pole 200 A 10 kA rated circuit breaker	32 <sup>3</sup> / <sub>4</sub>	11 <sup>13</sup> / <sub>16</sub>	5 <sup>7</sup> / <sub>16</sub>	30	13.6
	CO2-200-5V	Overhead	Comes complete with ABB type A2A 2 pole 200 A 10 kA rated circuit breaker, complete with 5th jaw	32 <sup>3</sup> / <sub>4</sub>	11 <sup>13</sup> / <sub>16</sub>	5 <sup>7</sup> / <sub>16</sub>	30	13.6
	CO2-200HI	Overhead	Comes complete with ABB type A2N 2 pole 200 A 22 kA rated circuit breaker	32 <sup>3</sup> / <sub>4</sub>	11 <sup>13</sup> / <sub>16</sub>	5 <sup>7</sup> / <sub>16</sub>	30	13.6
	CO2-200HI-G	Underground	Comes complete with ABB type A2N 2 pole 200 A 22 kA rated circuit breaker, complete with gutter	32 <sup>3</sup> / <sub>4</sub>	11 <sup>13</sup> / <sub>16</sub>	5 <sup>7</sup> / <sub>16</sub>	30	13.6
	CO2-200G	Underground	Comes complete with ABB type A2A 2 pole 200 A 10 kA rated circuit breaker, complete with gutter	32 <sup>3</sup> / <sub>4</sub>	11 <sup>13</sup> / <sub>16</sub>	5 <sup>7</sup> / <sub>16</sub>	32.6	14.6
	CO2-G	Underground	Provision for 2 pole 200 A 10 kA rated circuit breaker, complete with gutter	32 <sup>3</sup> / <sub>4</sub>	11 <sup>13</sup> / <sub>16</sub>	5 <sup>7</sup> / <sub>16</sub>	28	12.7
	CO2-200GBC	Underground	Comes complete with ABB type A2A 2 pole 200 A 10 kA rated circuit breaker, complete with gutter & 3 in KOs.	32 <sup>3</sup> / <sub>4</sub>	11 <sup>13</sup> / <sub>16</sub>	5 <sup>7</sup> / <sub>16</sub>	28	12.7
	CO2-GMB	Underground	Provision for 2 pole 200 A 10 kA rated circuit breaker, complete with gutter & hanging bracket kit	32 <sup>3</sup> / <sub>4</sub>	11 <sup>13</sup> / <sub>16</sub>	5 <sup>7</sup> / <sub>16</sub>	28	12.7

Note: Some local utilities require a gutter option for underground services. Order with suffix -G. Please check with local supply authority if mechanical connectors are accepted for underground services.

## CO2 Series

200 A 120/240 V; combination with or without breaker

### Diagrams

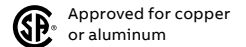



## CO2M Series

200 A – Single-phase 120/240 V; combination with or without breaker and splitter

### Product specifications

- Conductor range CO2M, CO2MS, CO2MS-2446, CO2MSU (line and load): 6 AWG–250 kcmil
- Conductor range CO2MSB-200, (line side and load neutral): 6 AWG-250 kcmil, (load side and neutral load): 6 AWG-300 kcmil
- For combination overhead/underground service only
- Cutler Hammer (Eaton) breaker to be field-installed
- With CO2FB braid connector (also available for field installation, cat. no. CO2FB-KIT)
- Primarily used in: Alberta



	Cat. no.	Type	Description	Dimensions (in.)			Weight each	
				H	W	D	lb	kg
CO2M  	<b>4 Jaw</b>							
	CO2M	Combination overhead/underground	Provision for field-installed Cutler Hammer (ED) 200 A 2 pole 10 kA rated circuit breaker, provision for pole mounting (splitter not included)	30 <sup>3</sup> / <sub>8</sub>	12	5 <sup>1</sup> / <sub>16</sub>	28	12.7
	CO2MS	Combination overhead/underground	Provision for field-installed Cutler Hammer (ED) 200 A 2 pole 10 kA rated circuit breaker, provision for pole mounting (splitter included)	39 <sup>3</sup> / <sub>8</sub>	12	5 <sup>1</sup> / <sub>16</sub>	42	19
	CO2MS-2446	Combination overhead/underground	Provision for field-installed Cutler Hammer (ED) 200 A 2 pole 10 kA rated circuit breaker, provision for pole mounting, comes with 2446 connector (splitter included), Fortis Alberta approved	39 <sup>3</sup> / <sub>8</sub>	12	5 <sup>1</sup> / <sub>16</sub>	44	19.5
	CO2MSB-200	Combination overhead/underground	Comes complete with ABB type A2A 2 pole 200 A 10 kA rated circuit breaker, comes with neutral bar (splitter included)	40 <sup>3</sup> / <sub>8</sub>	12	5 <sup>1</sup> / <sub>16</sub>	47	21.3
	CO2MSU	Underground	Provision for field-installed Cutler Hammer (ED) 200 A 2 pole 10 kA rated circuit breaker, pedestal type for padmount applications (splitter included)	60 <sup>5</sup> / <sub>32</sub>	11 <sup>7</sup> / <sub>8</sub>	5 <sup>27</sup> / <sub>64</sub>	59	26.8

## CO2M Series

200 A – Single-phase 120/240 V; combination with or without breaker and splitter



Cat. no. CO2FB-KIT

### Diagrams

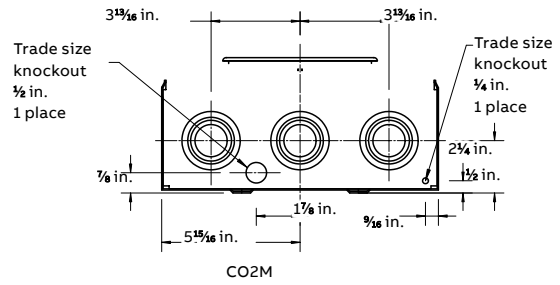
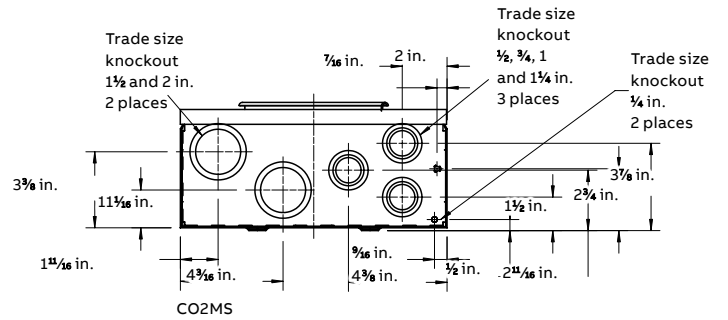
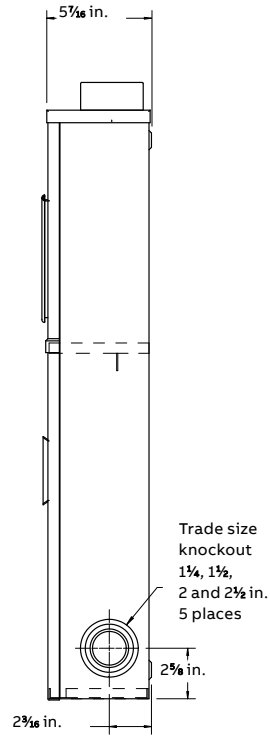


Diagram as reference only. Please contact your regional inside sales representative for other catalogue numbers and drawings pertaining to this series.