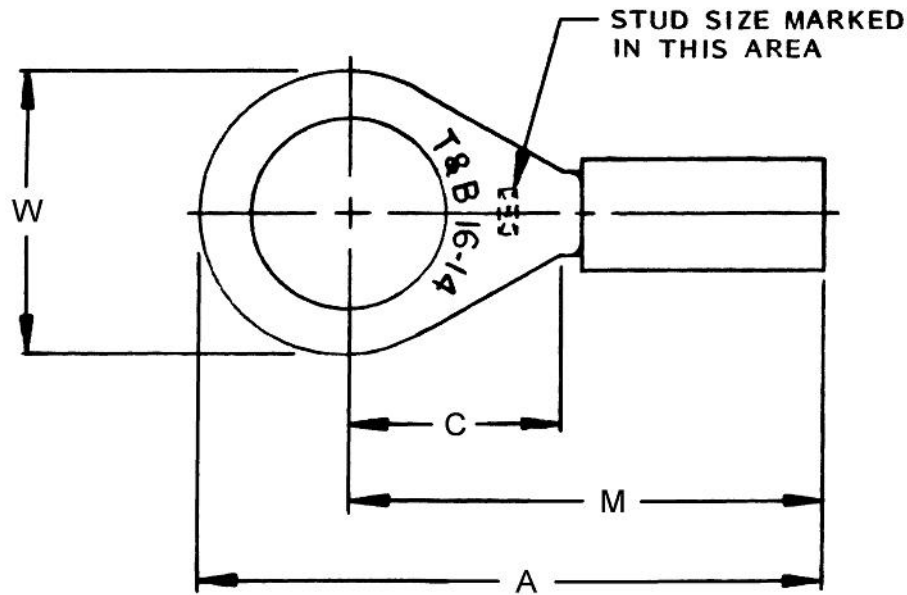




Sta-Kon®



O.E.M. CAT. NO.	DIST. CAT. NO.	STUD SIZE	W NOM.	A MAX.	C (FLAT) MIN.	M MAX.	MAX. WIRE INSUL. DIA.
RBC853	RBC14-6	#6	.25	1.013	.29	.125	.210
RBC863	RBC14-8	#8	.39	1.081	.29	.125	
RBC873	RBC14-10	#10	.39	1.081	.29	.125	
RBC713	RBC14-14	1/4	.51	1.141	.29	.125	
RBC723	RBC14-516	5/16	.54	1.249	.38	.134	
RBC793	RBC14-38	3/8	.63	1.296	.38	.134	
RBC753	RBC14-12	1/2	.76	1.522	.54	1.15	


MATERIAL: COPPER .052 THK

FINISH: ELECTRO-TIN PLATE

WIRE RINGE: #16-14 UL LISTED
STRIPPING LENGTH 5/16" (0 - +1/32)

INSTALLATION TOOLS: WT2000, WT145C, WT2130, WT1455
WT145A, ERG-2001, ERG-4002 AND POWER TOOLS
AS RECOMMENDED.
CRIMP IN 12-10 NEST (YELLOW)

COLOR CODE: GREEN NYLON INSULATOR

GENERAL NOTES		 A Member of the ABB Group			
1. ALL DIMENSIONS ARE FOR REFERENCE ONLY. 2. DIMENSIONS IN BRACKETS [] ARE IN METRIC UNITS.					
REVISIONS		DESCRIPTION: STA-KON NYLON INSULATED RING TONGUE TERMINAL (HEAVY-DUTY)			
** SEE ERN (****) FOR APPROVAL SIGNATURES & RELEASE DATE. PROJECT NO: ****		ORIGINAL PROJECT NO / (ERN NO)	SHEET NO:	REV. NO:	DRAWING NO:
		TM400023 / (2016419)	1 OF 1	-	WSD-001493