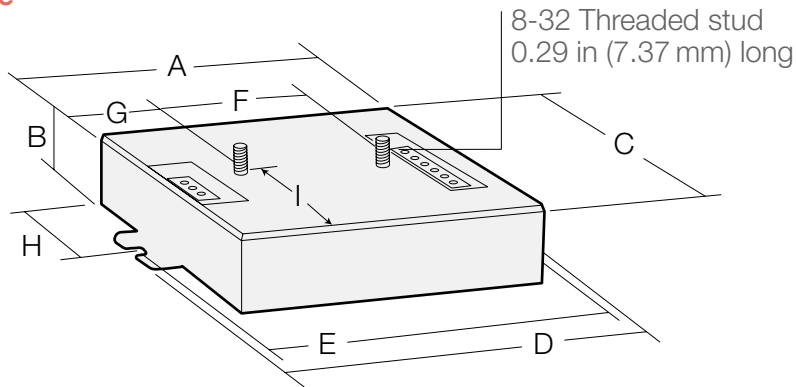


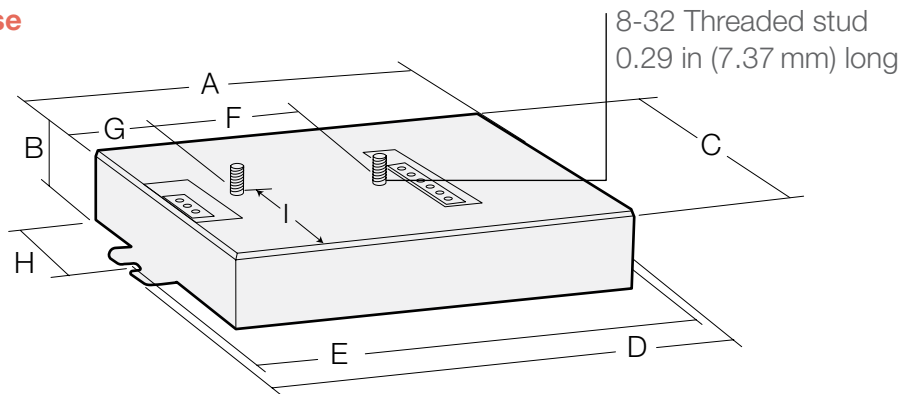
Case dimensions

A-case



A	4.20 in (107 mm)
B	1.00 in (25 mm)
C	3.00 in (76 mm)
D	4.90 in (124 mm)
E	4.60 in (117 mm) (mounting centers)
F	2.00 in (51 mm)
G	1.08 in (27 mm)
H	1.60 in (41 mm)
I	1.39 in (35 mm)

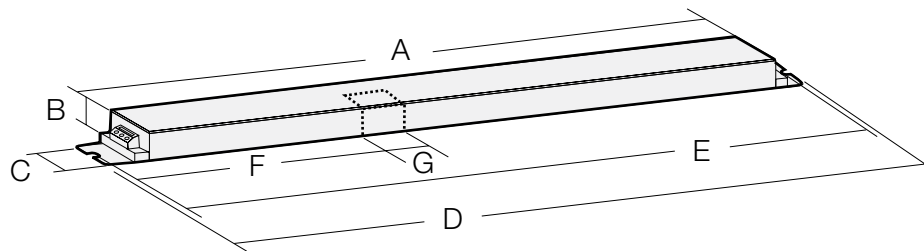
B-case



A	6.00 in (152 mm)
B	1.00 in (25 mm)
C	3.00 in (76 mm)
D	6.75 in (171 mm)
E	6.50 in (165 mm) (mounting centers)
F	2.00 in (51 mm)
G	1.16 in (29 mm)
H	1.60 in (41 mm)
I	1.39 in (35 mm)

Case dimensions

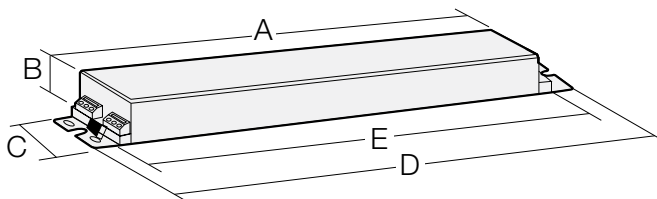
C- or J-case



Note: Dotted area for sensor attachment applies to EcoSystem® J-case only.

- A 16.12 in (409 mm)
- B 1.00 in (25 mm)
- C 1.18 in (30 mm)
- D 18.00 in (457 mm)
- E 17.70 in (450 mm)
(mounting centers)
- F 6.82 in (173 mm)
(J only)
- G 0.394 in (10 mm)
(J only)

G-case



Lamp wires are
36 in (0.90 m)
for leaded models

Power and control
wires are 18 in (457 mm)
for leaded models

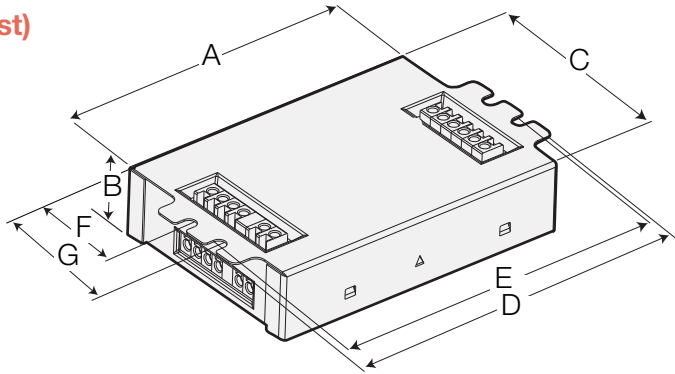
- A 7.13 in (181 mm)
- B 1.00 in (25 mm)
- C 2.38 in (60 mm)
(slot mounting centers)
- D 9.50 in (241 mm)
- E 8.91 in (226 mm)

If using 4-hole mount,
mounting centers are 9.00 in
(229 mm) x 1.06 in (27 mm).

Case dimensions

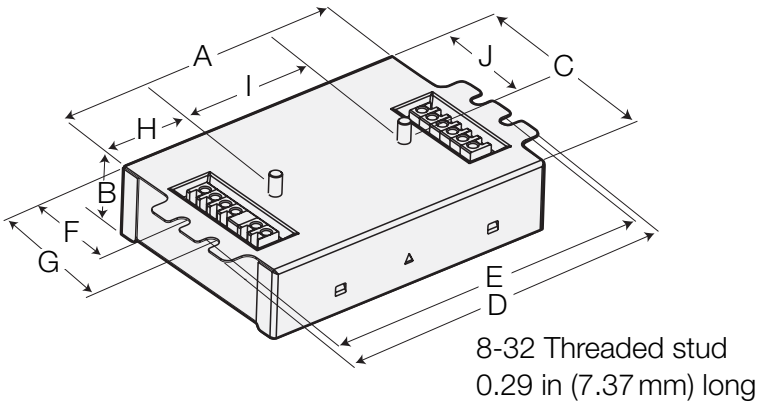
K-case (Ballast)

Non-studded:



- A 4.20 in (107 mm)
- B 1.00 in (25 mm)
- C 3.00 in (76 mm)
- D 4.90 in (124 mm)
- E 4.60 in (117 mm)
(mounting centers)
- F 1.42 in (36 mm)
- G 1.99 in (51 mm)

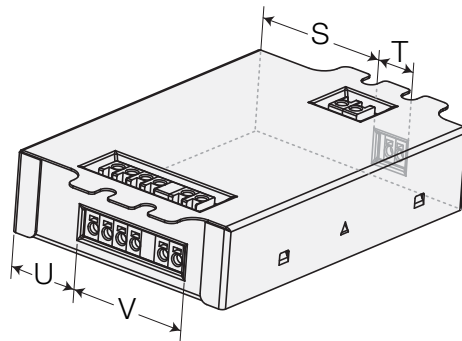
Studded:



- For studded models only:
- H 1.09 in (28 mm)
 - I 2.00 in (51 mm)
 - J 1.60 in (41 mm)

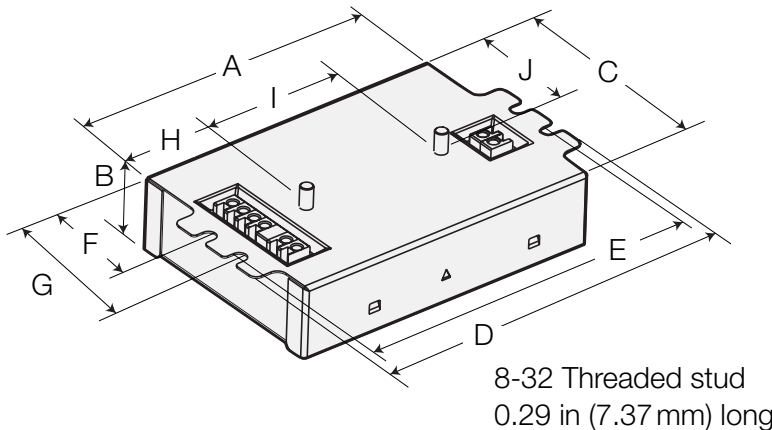
K-case (LED Driver)

Non-studded:



- A 4.20 in (107 mm)
- B 1.00 in (25 mm)
- C 3.00 in (76 mm)
- D 4.90 in (124 mm)
- E 4.60 in (117 mm)
(mounting centers)
- F 1.42 in (36 mm)
- G 1.99 in (51 mm)

Studded:

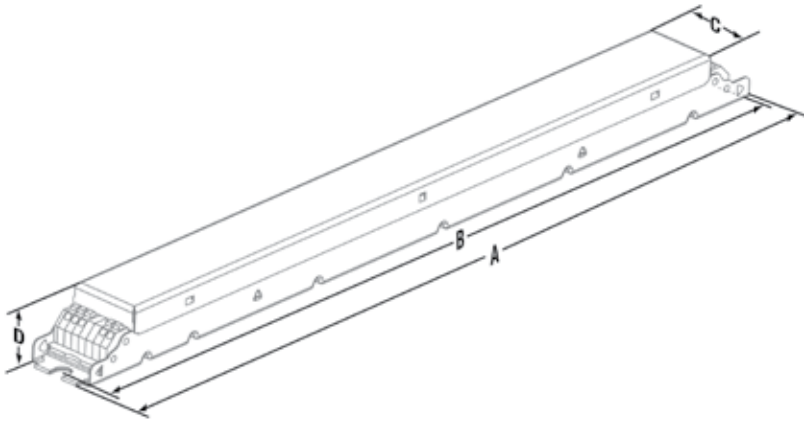


- For studded models only:
- H 1.09 in (28 mm)
 - I 2.00 in (51 mm)
 - J 1.60 in (41 mm)

- For non-studded models only:
- S 1.38 in (35 mm)
 - T 0.64 in (16 mm)
 - U 0.88 in (22 mm)
 - V 1.53 in (39 mm)

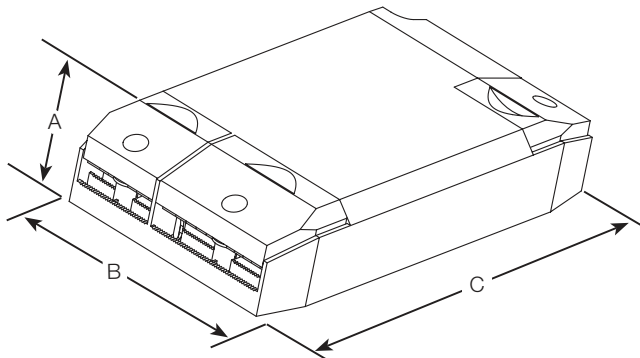
Case dimensions

M-case



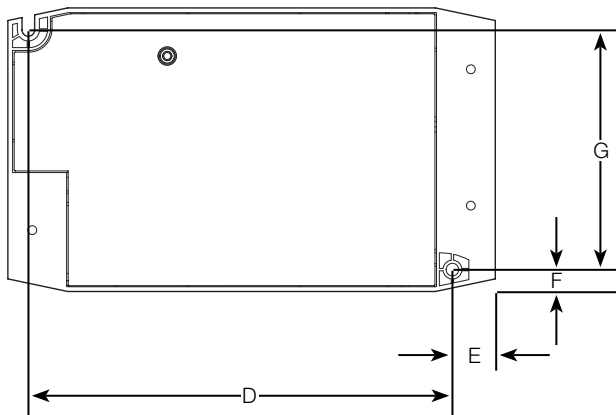
- A 14.13 in (359 mm)
- B 13.78 in (350 mm)
(mounting centers)
- C 1.18 in (30 mm)
- D 0.98 in (25 mm)

P-case (International models only)



- A 31.80 mm
- B 90 mm
- C 154.70 mm
- D 134.60 mm
- E 13.60 mm
- F 6.95 mm
- G 76.05 mm

Mounting centers



T8 and U-bent

EcoSystem® H-Series (1% or less dimming) universal voltage digital dimming ballasts

- Dimming to 1% or less
- Compatible with Lutron EcoSystem digital controls
- Energy saving and cost effective

Lamp Watts (Length)	Lamps per Ballast	Model Number	Case Type*	Input Voltage (VAC)	Input Current (A)	Input Power (W)	Ballast Factor (BF)**	System Lumens (lm) [†]	System Efficacy (lm/W) [†]	Ballast Efficacy Factor (BEF)	Relative System Efficacy (RSE)
17W (24 in)	1	EHD T817 M U 1 10	M	277	0.08	22.20	1.00	1,300	90	4.51	0.77
				240	0.09	21.60	1.00	1,300	93	4.63	0.79
				120	0.18	21.60	1.00	1,300	93	4.63	0.79
	2	EHD T817 M U 2 10	M	277	0.15	41.60	1.00	2,600	96	2.41	0.82
				240	0.18	43.20	1.00	2,600	93	2.31	0.79
				120	0.35	42.00	1.00	2,600	95	2.38	0.81
25W (36 in)	1	EHD T825 M U 1 10	M	277	0.11	30.50	1.00	1,900	62	3.28	0.82
				240	0.11	26.40	1.00	1,900	72	3.79	0.95
				120	0.26	31.20	1.00	1,900	61	3.21	0.80
	2	EHD T825 M U 2 10	M	277	0.20	55.40	1.00	3,800	69	1.81	0.90
				240	0.23	55.20	1.00	3,800	69	1.81	0.91
				120	0.47	56.40	1.00	3,800	67	1.77	0.89
32W (48 in)	1	EHD T832 M U 1 10	M	277	0.12	33.20	1.00	3,000	90	3.01	0.96
				240	0.14	33.60	1.00	3,000	89	2.98	0.95
				120	0.29	34.80	1.00	3,000	86	3.01	0.92
		EHD T832 M U 1 17	M	277	0.15	41.60	1.17	3,510	84	2.82	0.92
				240	0.17	40.80	1.17	3,510	86	2.87	0.92
				120	0.34	40.80	1.17	3,510	86	2.87	0.90
	2	EHD T832 M U 2 10	M	277	0.24	66.50	1.00	6,000	90	1.50	0.96
				240	0.28	67.20	1.00	6,000	89	1.49	0.95
				120	0.57	68.40	1.00	6,000	88	1.46	0.94
		EHD T832 M U 2 17	M	277	0.28	77.60	1.17	7,020	91	1.51	0.97
				240	0.32	76.80	1.17	7,020	91	1.52	0.98
				120	0.65	78.00	1.17	7,020	90	1.50	0.96
	3	EHD T832 G U 3 10	G	277	0.37	93.50	1.00	9,000	96	1.07	1.03
				240	0.40	94.90	1.00	9,000	95	1.05	1.01
				120	0.83	95.40	1.00	9,000	94	1.05	1.01
EHD T832 G U 3 17		G	277	0.41	105.70	1.17	10,530	100	1.11	1.06	
			240	0.47	106.50	1.17	10,530	99	1.10	1.05	
			120	0.95	106.80	1.17	10,530	99	1.10	1.05	

Refer to the online ballast selection tool for additional information, www.lutron.com/BallastTool

*For case type information see pgs. 548-551.

**Factory-tuned ballast factors available. To customize, visit www.lutron.com/BallastTool

†Actual number may vary with lamp model. Please consult the lamp manufacturer for lamp-specific data.