

CONTINUOUS HINGE WITH CLAMPS, TYPE 4X



INDUSTRY STANDARDS

UL 508A Listed; Type 3R, 4, 4X, 12; File No. E61997
 cUL Listed per CSA C22.2 No 94; Type 3R, 4, 4X, 12; File No. E61997

NEMA/EEMAC Type 3, 3R, 4, 4X, 12, 13
 CSA File No. 42186: Type 4, 4X, 12
 IEC 60529, IP66
 Meets NEMA Type 3RX requirements

Standard Product

| Catalog Number | AxBxC in./mm | Stainless Steel Type | Steel Panel | Conductive Steel Panel | Stainless Steel Panel | Panel Size D x E in./mm | F in./mm | Clamps Qty. | Data Pocket |
|----------------|---|----------------------|-------------|------------------------|-----------------------|----------------------------|------------|-------------|-------------|
| A16H1206SSLP | 16.00 x 12.00 x 6.00 406 x 305 x 152 | 304 | A16P12 | A16P12G | A16P12SS6 | 13.00 x 9.00 330 x 229 | 1.25 32 | 4 | Small |
| A16H1206SS6LP | 16.00 x 12.00 x 6.00 406 x 305 x 152 | 316L | A16P12 | A16P12G | A16P12SS6 | 13.00 x 9.00 330 x 229 | 1.25 32 | 4 | Small |
| A16H1606SSLP | 16.00 x 16.00 x 6.00 406 x 406 x 152 | 304 | A16P16 | A16P16G | A16P16SS6 | 13.00 x 13.00 330 x 330 | 3.00 76 | 4 | Small |
| A16H1606SS6LP | 16.00 x 16.00 x 6.00 406 x 406 x 152 | 316L | A16P16 | A16P16G | A16P16SS6 | 13.00 x 13.00 330 x 330 | 3.00 76 | 4 | Small |
| A16H2006SSLP | 16.00 x 20.00 x 6.00 406 x 508 x 152 | 304 | A20P16 | A20P16G | A20P16SS6 | 17.00 x 13.00 432 x 330 | 3.00 76 | 4 | Small |
| A16H2006SS6LP | 16.00 x 20.00 x 6.00 406 x 508 x 152 | 316L | A20P16 | A20P16G | A20P16SS6 | 17.00 x 13.00 432 x 330 | 3.00 76 | 4 | Small |
| A20H1606SSLP | 20.00 x 16.00 x 6.00 508 x 406 x 152 | 304 | A20P16 | A20P16G | A20P16SS6 | 17.00 x 13.00 432 x 330 | 3.00 76 | 4 | Small |
| A20H1606SS6LP | 20.00 x 16.00 x 6.00 508 x 406 x 152 | 316L | A20P16 | A20P16G | A20P16SS6 | 17.00 x 13.00 432 x 330 | 3.00 76 | 4 | Small |
| A20H2006SSLP | 20.00 x 20.00 x 6.00 508 x 508 x 152 | 304 | A20P20 | A20P20G | A20P20SS6 | 17.00 x 17.00 432 x 432 | 3.00 76 | 4 | Small |
| A20H2006SS6LP | 20.00 x 20.00 x 6.00 508 x 508 x 152 | 316L | A20P20 | A20P20G | A20P20SS6 | 17.00 x 17.00 432 x 432 | 3.00 76 | 4 | Small |
| A24H2006SSLP | 24.00 x 20.00 x 6.00 610 x 508 x 152 | 304 | A24P20 | A24P20G | A24P20SS6 | 21.00 x 17.00 533 x 432 | 3.00 76 | 5 | Small |
| A24H2006SS6LP | 24.00 x 20.00 x 6.00 610 x 508 x 152 | 316L | A24P20 | A24P20G | A24P20SS6 | 21.00 x 17.00 533 x 432 | 3.00 76 | 5 | Small |
| A24H2406SSLP | 24.00 x 24.00 x 6.00 610 x 610 x 152 | 304 | A24P24 | A24P24G | A24P24SS6 | 21.00 x 21.00 533 x 533 | 3.00 76 | 5 | Small |
| A24H2406SS6LP | 24.00 x 24.00 x 6.00 610 x 610 x 152 | 316L | A24P24 | A24P24G | A24P24SS6 | 21.00 x 21.00 533 x 533 | 3.00 76 | 5 | Small |

APPLICATION

For use in indoor and outdoor corrosive environments that require a water-tight seal, this enclosure's seamless foam-in-place gasket and screw-down clamps provide a secure seal against contaminants.

SPECIFICATIONS

- 14 gauge Type 304 or Type 316L stainless steel bodies and doors
- Seams continuously welded and ground smooth
- Seamless foam-in-place gasket
- Rolled lip around three sides of door
- Stainless steel door clamp assembly
- Hasp and staple for padlocking
- Door removed by pulling stainless steel continuous hinge pin
- Data pocket is high-impact thermoplastic
- Collar studs provided for mounting optional panels
- Exterior hardware on Type 316L stainless steel enclosures matches enclosure material
- Bonding provision on door; grounding stud on body

FINISH

Door, sides, top and bottom have smooth #4 brushed finish.

ACCESSORIES

Fast-Operating Clamp Assembly
 Panels for Type 3R, 4, 4X, 12 and 13 Enclosures
 Junction Box and Wall-Mount Enclosure Swing Out Panel Kit
 Steel and Stainless Steel Window Kits
 H2OMIT Vent Drains, Type 4X
 H2OMIT Thermoelectric Dehumidifier

MODIFICATION AND CUSTOMIZATION

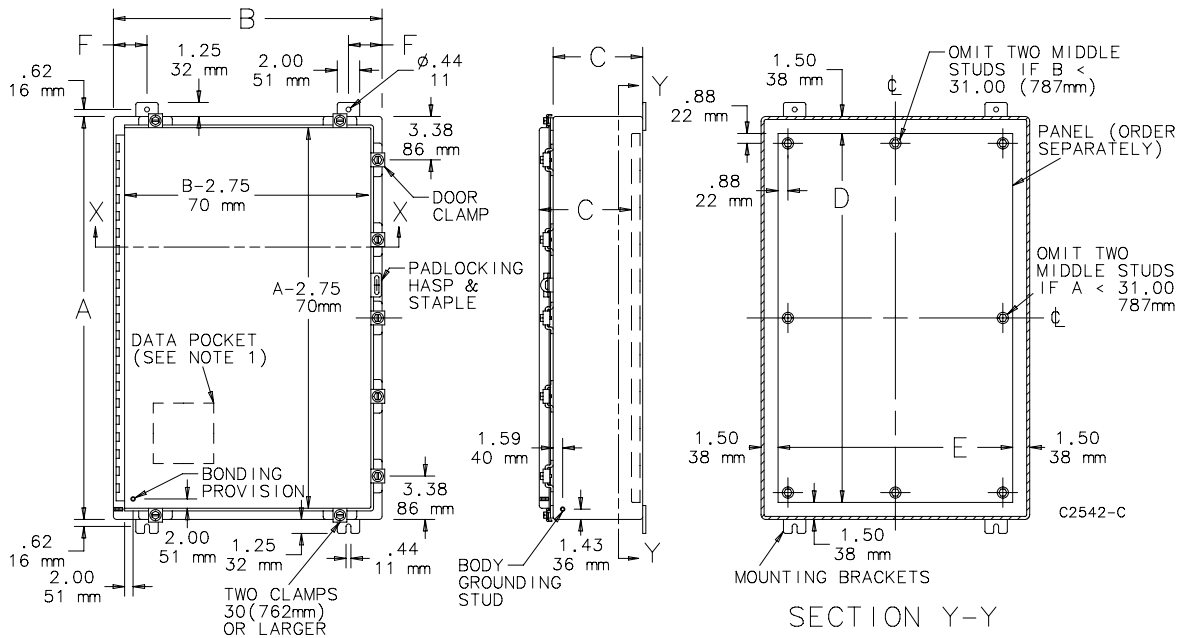
Hoffman excels at modifying and customizing products to your specifications. Contact your local Hoffman sales office or distributor for complete information.

BULLETIN: A4S

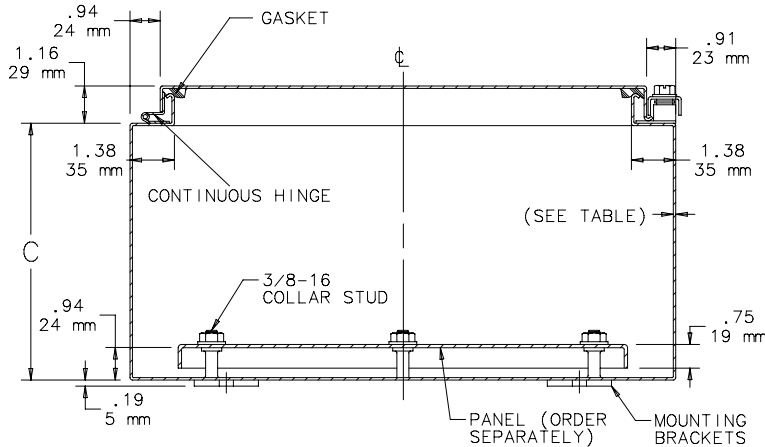
| Catalog Number | AxBxC in./mm | Stainless Steel Type | Steel Panel | Conductive Steel Panel | Stainless Steel Panel | Panel Size D x E in./mm | F in./mm | Clamps Qty. | Data Pocket |
|----------------|--|----------------------|-------------|------------------------|-----------------------|-----------------------------|------------|-------------|-------------|
| A16H1208SSLP | 16.00 x 12.00 x 8.00 406 x 305 x 203 | 304 | A16P12 | A16P12G | A16P12SS6 | 13.00 x 9.00 330 x 229 | 1.25 32 | 4 | Small |
| A16H1208SS6LP | 16.00 x 12.00 x 8.00 406 x 305 x 203 | 316L | A16P12 | A16P12G | A16P12SS6 | 13.00 x 9.00 330 x 229 | 1.25 32 | 4 | Small |
| A20H1608SSLP | 20.00 x 16.00 x 8.00 508 x 406 x 203 | 304 | A20P16 | A20P16G | A20P16SS6 | 17.00 x 13.00 432 x 330 | 3.00 76 | 4 | Small |
| A20H1608SS6LP | 20.00 x 16.00 x 8.00 508 x 406 x 203 | 316L | A20P16 | A20P16G | A20P16SS6 | 17.00 x 13.00 432 x 330 | 3.00 76 | 4 | Small |
| A20H2008SSLP | 20.00 x 20.00 x 8.00 508 x 508 x 203 | 304 | A20P20 | A20P20G | A20P20SS6 | 17.00 x 17.00 432 x 432 | 3.00 76 | 4 | Small |
| A20H2008SS6LP | 20.00 x 20.00 x 8.00 508 x 508 x 203 | 316L | A20P20 | A20P20G | A20P20SS6 | 17.00 x 17.00 432 x 432 | 3.00 76 | 4 | Small |
| A20H2408SSLP | 20.00 x 24.00 x 8.00 508 x 610 x 203 | 304 | A24P20 | A24P20G | A24P20SS6 | 21.00 x 17.00 533 x 432 | 3.00 76 | 4 | Small |
| A20H2408SS6LP | 20.00 x 24.00 x 8.00 508 x 610 x 203 | 316L | A24P20 | A24P20G | A24P20SS6 | 21.00 x 17.00 533 x 432 | 3.00 76 | 4 | Small |
| A24H1608SSLP | 24.00 x 16.00 x 8.00 610 x 406 x 203 | 304 | A24P16 | A24P16G | A24P16SS6 | 21.00 x 13.00 533 x 330 | 3.00 76 | 5 | Small |
| A24H1608SS6LP | 24.00 x 16.00 x 8.00 610 x 406 x 203 | 316L | A24P16 | A24P16G | A24P16SS6 | 21.00 x 13.00 533 x 330 | 3.00 76 | 5 | Small |
| A24H2008SSLP | 24.00 x 20.00 x 8.00 610 x 508 x 203 | 304 | A24P20 | A24P20G | A24P20SS6 | 21.00 x 17.00 533 x 432 | 3.00 76 | 5 | Small |
| A24H2008SS6LP | 24.00 x 20.00 x 8.00 610 x 508 x 203 | 316L | A24P20 | A24P20G | A24P20SS6 | 21.00 x 17.00 533 x 432 | 3.00 76 | 5 | Small |
| A24H2408SSLP | 24.00 x 24.00 x 8.00 610 x 610 x 203 | 304 | A24P24 | A24P24G | A24P24SS6 | 21.00 x 21.00 533 x 533 | 3.00 76 | 5 | Small |
| A24H2408SS6LP | 24.00 x 24.00 x 8.00 610 x 610 x 203 | 316L | A24P24 | A24P24G | A24P24SS6 | 21.00 x 21.00 533 x 533 | 3.00 76 | 5 | Small |
| A24H3008SSLP | 24.00 x 30.00 x 8.00 610 x 762 x 203 | 304 | A30P24 | A30P24G | A30P24SS6 | 27.00 x 21.00 686 x 533 | 3.00 76 | 7 | Small |
| A24H3008SS6LP | 24.00 x 30.00 x 8.00 610 x 762 x 203 | 316L | A30P24 | A30P24G | A30P24SS6 | 27.00 x 21.00 686 x 533 | 3.00 76 | 7 | Small |
| A30H2008SSLP | 30.00 x 20.00 x 8.00 762 x 508 x 203 | 304 | A30P20 | A30P20G | A30P20SS6 | 27.00 x 17.00 686 x 432 | 3.00 76 | 5 | Small |
| A30H2008SS6LP | 30.00 x 20.00 x 8.00 762 x 508 x 203 | 316L | A30P20 | A30P20G | A30P20SS6 | 27.00 x 17.00 686 x 432 | 3.00 76 | 5 | Small |
| A30H2408SSLP | 30.00 x 24.00 x 8.00 762 x 610 x 203 | 304 | A30P24 | A30P24G | A30P24SS6 | 27.00 x 21.00 686 x 533 | 3.00 76 | 5 | Large |
| A30H2408SS6LP | 30.00 x 24.00 x 8.00 762 x 610 x 203 | 316L | A30P24 | A30P24G | A30P24SS6 | 27.00 x 21.00 686 x 533 | 3.00 76 | 5 | Large |
| A30H3008SSLP | 30.00 x 30.00 x 8.00 762 x 762 x 203 | 304 | A30P30 | A30P30G | A30P30SS6 | 27.00 x 27.00 686 x 686 | 3.00 76 | 7 | Large |
| A30H3008SS6LP | 30.00 x 30.00 x 8.00 762 x 762 x 203 | 316L | A30P30 | A30P30G | A30P30SS6 | 27.00 x 27.00 686 x 686 | 3.00 76 | 7 | Large |
| A36H2408SSLP | 36.00 x 24.00 x 8.00 914 x 610 x 203 | 304 | A36P24 | A36P24G | A36P24SS6 | 33.00 x 21.00 838 x 533 | 3.00 76 | 5 | Large |
| A36H2408SS6LP | 36.00 x 24.00 x 8.00 914 x 610 x 203 | 316L | A36P24 | A36P24G | A36P24SS6 | 33.00 x 21.00 838 x 533 | 3.00 76 | 5 | Large |
| A36H3008SSLP | 36.00 x 30.00 x 8.00 914 x 762 x 203 | 304 | A36P30 | A36P30G | A36P30SS6 | 33.00 x 27.00 838 x 686 | 3.00 76 | 7 | Large |
| A36H3008SS6LP | 36.00 x 30.00 x 8.00 914 x 762 x 203 | 316L | A36P30 | A36P30G | A36P30SS6 | 33.00 x 27.00 838 x 686 | 3.00 76 | 7 | Large |
| A42H3608SSLP | 42.00 x 36.00 x 8.00 1067 x 914 x 203 | 304 | A42P36 | A42P36G | A42P36SS6 | 39.00 x 33.00 991 x 838 | 3.00 76 | 8 | Large |
| A42H3608SS6LP | 42.00 x 36.00 x 8.00 1067 x 914 x 203 | 316L | A42P36 | A42P36G | A42P36SS6 | 39.00 x 33.00 991 x 838 | 3.00 76 | 8 | Large |
| A48H3608SSLP | 48.00 x 36.00 x 8.00 1219 x 914 x 203 | 304 | A48P36 | A48P36G | A48P36SS6 | 45.00 x 33.00 1143 x 838 | 3.00 76 | 8 | Large |
| A48H3608SS6LP | 48.00 x 36.00 x 8.00 1219 x 914 x 203 | 316L | A48P36 | A48P36G | A48P36SS6 | 45.00 x 33.00 1143 x 838 | 3.00 76 | 8 | Large |
| A20H1610SSLP | 20.00 x 16.00 x 10.00 508 x 406 x 254 | 304 | A20P16 | A20P16G | A20P16SS6 | 17.00 x 13.00 432 x 330 | 3.00 76 | 4 | Small |
| A20H1610SS6LP | 20.00 x 16.00 x 10.00 508 x 406 x 254 | 316L | A20P16 | A20P16G | A20P16SS6 | 17.00 x 13.00 432 x 330 | 3.00 76 | 4 | Small |
| A24H2010SSLP | 24.00 x 20.00 x 10.00 610 x 508 x 254 | 304 | A24P20 | A24P20G | A24P20SS6 | 21.00 x 17.00 533 x 432 | 3.00 76 | 5 | Small |
| A24H2010SS6LP | 24.00 x 20.00 x 10.00 610 x 508 x 254 | 316L | A24P20 | A24P20G | A24P20SS6 | 21.00 x 17.00 533 x 432 | 3.00 76 | 5 | Small |
| A30H2410SSLP | 30.00 x 24.00 x 10.00 762 x 610 x 254 | 304 | A30P24 | A30P24G | A30P24SS6 | 27.00 x 21.00 686 x 533 | 3.00 76 | 5 | Large |
| A30H2410SS6LP | 30.00 x 24.00 x 10.00 762 x 610 x 254 | 316L | A30P24 | A30P24G | A30P24SS6 | 27.00 x 21.00 686 x 533 | 3.00 76 | 5 | Large |
| A36H2410SSLP | 36.00 x 24.00 x 10.00 914 x 610 x 254 | 304 | A36P24 | A36P24G | A36P24SS6 | 33.00 x 21.00 838 x 533 | 3.00 76 | 5 | Large |
| A36H2410SS6LP | 36.00 x 24.00 x 10.00 914 x 610 x 254 | 316L | A36P24 | A36P24G | A36P24SS6 | 33.00 x 21.00 838 x 533 | 3.00 76 | 5 | Large |
| A36H3010SSLP | 36.00 x 30.00 x 10.00 914 x 762 x 254 | 304 | A36P30 | A36P30G | A36P30SS6 | 33.00 x 27.00 838 x 686 | 3.00 76 | 7 | Large |

| Catalog Number | AxBxC in./mm | Stainless Steel Type | Steel Panel | Conductive Steel Panel | Stainless Steel Panel | Panel Size D x E in./mm | F in./mm | Clamps Qty. | Data Pocket |
|----------------|---|----------------------|-------------|------------------------|-----------------------|-----------------------------|------------|-------------|-------------|
| A36H3010SS6LP | 36.00 x 30.00 x 10.00 914 x 762 x 254 | 316L | A36P30 | A36P30G | A36P30SS6 | 33.00 x 27.00 838 x 686 | 3.00 76 | 7 | Large |
| A42H3010SSLP | 42.00 x 30.00 x 10.00 1067 x 762 x 254 | 304 | A42P30 | A42P30G | A42P30SS6 | 39.00 x 27.00 991 x 686 | 3.00 76 | 8 | Large |
| A42H3010SS6LP | 42.00 x 30.00 x 10.00 1067 x 762 x 254 | 316L | A42P30 | A42P30G | A42P30SS6 | 39.00 x 27.00 991 x 686 | 3.00 76 | 8 | Large |
| A48H3610SSLP | 48.00 x 36.00 x 10.00 1219 x 914 x 254 | 304 | A48P36 | A48P36G | A48P36SS6 | 45.00 x 33.00 1143 x 838 | 3.00 76 | 8 | Large |
| A48H3610SS6LP | 48.00 x 36.00 x 10.00 1219 x 914 x 254 | 316L | A48P36 | A48P36G | A48P36SS6 | 45.00 x 33.00 1143 x 838 | 3.00 76 | 8 | Large |
| A24H2412SSLP | 24.00 x 24.00 x 12.00 610 x 610 x 305 | 304 | A24P24 | A24P24G | A24P24SS6 | 21.00 x 21.00 533 x 533 | 3.00 76 | 5 | Small |
| A24H2412SS6LP | 24.00 x 24.00 x 12.00 610 x 610 x 305 | 316L | A24P24 | A24P24G | A24P24SS6 | 21.00 x 21.00 533 x 533 | 3.00 76 | 5 | Small |
| A30H2412SSLP | 30.00 x 24.00 x 12.00 762 x 610 x 305 | 304 | A30P24 | A30P24G | A30P24SS6 | 27.00 x 21.00 686 x 533 | 3.00 76 | 5 | Large |
| A30H2412SS6LP | 30.00 x 24.00 x 12.00 762 x 610 x 305 | 316L | A30P24 | A30P24G | A30P24SS6 | 27.00 x 21.00 686 x 533 | 3.00 76 | 5 | Large |
| A36H3012SSLP | 36.00 x 30.00 x 12.00 914 x 762 x 305 | 304 | A36P30 | A36P30G | A36P30SS6 | 33.00 x 27.00 838 x 686 | 3.00 76 | 7 | Large |
| A36H3012SS6LP | 36.00 x 30.00 x 12.00 914 x 762 x 305 | 316L | A36P30 | A36P30G | A36P30SS6 | 33.00 x 27.00 838 x 686 | 3.00 76 | 7 | Large |
| A36H3612SSLP | 36.00 x 36.00 x 12.00 914 x 914 x 305 | 304 | A36P36 | A36P36G | A36P36SS6 | 33.00 x 33.00 838 x 838 | 3.00 76 | 7 | Large |
| A36H3612SS6LP | 36.00 x 36.00 x 12.00 914 x 914 x 305 | 316L | A36P36 | A36P36G | A36P36SS6 | 33.00 x 33.00 838 x 838 | 3.00 76 | 7 | Large |
| A48H3612SSLP | 48.00 x 36.00 x 12.00 1219 x 914 x 305 | 304 | A48P36 | A48P36G | A48P36SS6 | 45.00 x 33.00 1143 x 838 | 3.00 76 | 8 | Large |
| A48H3612SS6LP | 48.00 x 36.00 x 12.00 1219 x 914 x 305 | 316L | A48P36 | A48P36G | A48P36SS6 | 45.00 x 33.00 1143 x 838 | 3.00 76 | 8 | Large |
| A60H3612SSLP | 60.00 x 36.00 x 12.00 1524 x 914 x 305 | 304 | A60P36 | A60P36G | A60P36SS6 | 57.00 x 33.00 1448 x 838 | 3.00 76 | 9 | Large |
| A60H3612SS6LP | 60.00 x 36.00 x 12.00 1524 x 914 x 305 | 316L | A60P36 | A60P36G | A60P36SS6 | 57.00 x 33.00 1448 x 838 | 3.00 76 | 9 | Large |
| A30H2416SSLP | 30.00 x 24.00 x 16.00 762 x 610 x 406 | 304 | A30P24 | A30P24G | A30P24SS6 | 27.00 x 21.00 686 x 533 | 3.00 76 | 5 | Large |
| A30H2416SS6LP | 30.00 x 24.00 x 16.00 762 x 610 x 406 | 316L | A30P24 | A30P24G | A30P24SS6 | 27.00 x 21.00 686 x 533 | 3.00 76 | 5 | Large |
| A36H3016SSLP | 36.00 x 30.00 x 16.00 914 x 762 x 406 | 304 | A36P30 | A36P30G | A36P30SS6 | 33.00 x 27.00 838 x 686 | 3.00 76 | 7 | Large |
| A36H3016SS6LP | 36.00 x 30.00 x 16.00 914 x 762 x 406 | 316L | A36P30 | A36P30G | A36P30SS6 | 33.00 x 27.00 838 x 686 | 3.00 76 | 7 | Large |
| A48H3616SSLP | 48.00 x 36.00 x 16.00 1219 x 914 x 406 | 304 | A48P36 | A48P36G | A48P36SS6 | 45.00 x 33.00 1143 x 838 | 3.00 76 | 8 | Large |
| A48H3616SS6LP | 48.00 x 36.00 x 16.00 1219 x 914 x 406 | 316L | A48P36 | A48P36G | A48P36SS6 | 45.00 x 33.00 1143 x 838 | 3.00 76 | 8 | Large |
| A60H3616SSLP | 60.00 x 36.00 x 16.00 1524 x 914 x 406 | 304 | A60P36 | A60P36G | A60P36SS6 | 57.00 x 33.00 1448 x 838 | 3.00 76 | 9 | Large |
| A60H3616SS6LP | 60.00 x 36.00 x 16.00 1524 x 914 x 406 | 316L | A60P36 | A60P36G | A60P36SS6 | 57.00 x 33.00 1448 x 838 | 3.00 76 | 9 | Large |

Purchase panels separately. Optional composite and aluminum panels are available for most sizes.



SECTION Y-Y



SECTION X-X

NOTE:

1. Removable data pocket included (see table for size). Large data pocket 12.00 x 12.00 (305mm x 305mm); small data pocket 6.00 x 6.00 (152mm x 152mm).
2. Maximum spacing between door clamps is 15.00 (382mm)

Popular Cooling Products

| Enclosure Depth (C Dimension) | Thermoelectric Controller |
|-------------------------------|---------------------------|
| 6 in. (152 mm) | TE090624011 |
| 8 in. (203 mm) | TE162024011 |
| 10 in. (254 mm) | TE162024011 |
| 12 in. (305 mm) | TE162024011 |
| 16 in. (406 mm) | TE162024011 |

***Important:** Visit tools.hoffmanonline.com/attachments to access our **Cooling Selection Tool** to determine the appropriate cooling solution for your application.

Popular Accessories

| Enclosure Width (B Dimension) | Lights | Hole Seals | Window Kits |
|-------------------------------|----------|------------|-------------|
| 12 in. (305 mm) | LEDPUCK | AS050SS | APWK53NFSS |
| 16 in. (406 mm) | LEDA2M35 | AS050SS | APWK53NFSS |
| 20 in. (508 mm) | LED24V15 | AS050SS | APWK53NFSS |
| 24 in. (610 mm) | LED24V15 | AS050SS | APWK53NFSS |
| 30 in. (762 mm) | LED24V15 | AS050SS | APWK53NFSS |
| 36 in. (914 mm) | LED24V15 | AS050SS | APWK53NFSS |