

# Universal Ground Clamp System

## Type G

**Use:**  
For connecting grounding conductors to cold water ground pipe in sizes 1 1/4" through 12".

**Features:**

- Standard built-in ground wire connector for #8 Sol. through #2 Str. AWG wire.
- Provision for separate 2-station attachment of additional swivel accessories are listed in ground clamp accessories tables. See page MA-3.
- Cast Bronze clamps are suitable for direct burial.

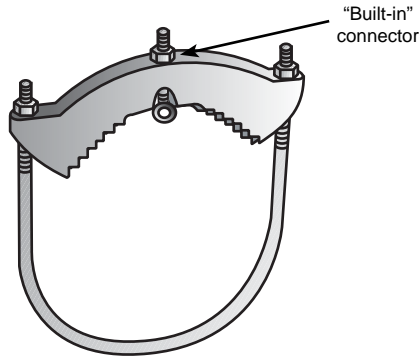
**Material/Finish:**

Catalog Numbers with suffix "G" are Malleable Iron, Hot Dip Galvanized. Bolts and Nuts are Steel, Hot Dip or Mechanically Galvanized.

Catalog Numbers with suffix "B" are Cast Bronze with Silicon Bronze Bolts and Nuts.

**Accessories: (see page MA3)**

- For larger conductors add Type GWD dead end terminals.
- For connecting conductors run in conduit, add Type GH swivel ground hubs.
- For connecting armored ground wire, add Type GWA Terminal.

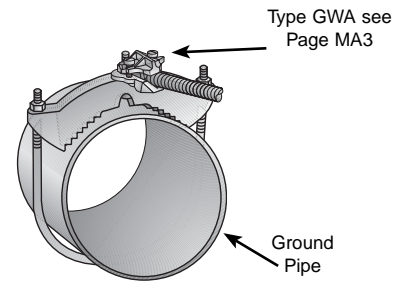


Type G

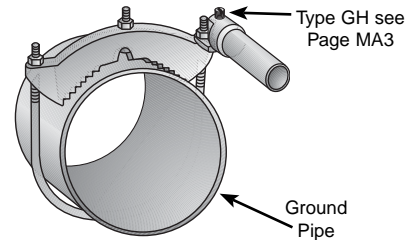
**Third Party Certification:**  
UL Listed: E-24264

CSA Certified: 009795

**Applicable Third Party Standards:**  
UL Standard: 467  
CSA Standard: C22.2 No. 18  
Fed. Spec: W-F-406E



Type G with Type GWA  
Armor Ground Wire Connector



Type G with Type GH  
Ground Hub

Malleable Iron Catalog Number	Cast Bronze Catalog Number	Nominal Size	Ground Pipe Size O.D. Range		Dimensions in Inches			U-Bolt
			Min.	Max.	Thk.	Width	Height Max.	
G-200G	G-200B	1 1/4-1 1/2-2	1.660	2.375	7/8	3 3/8	4 1/2	5/16
G-350G	G-350B	2 1/2-3-3 1/2	2.875	4.000	7/8	5 1/4	6 1/16	5/16
G-500G	G-500B	4-4 1/2-5	4.500	5.563	7/8	6 13/16	8	5/16
G-600G	G-600B	6	6.000	7.100	7/8	8 3/8	9 1/16	5/16
G-800G	G-800B	8	8.000	9.300	7/8	10 3/8	11 13/16	5/16
G-1000G	G-1000B	10	10.000	11.400	7/8	12 1/4	13 13/16	5/16
G-1200G	G-1200B	12	12.000	13.500	7/8	14 13/16	16	5/16

## Type GES

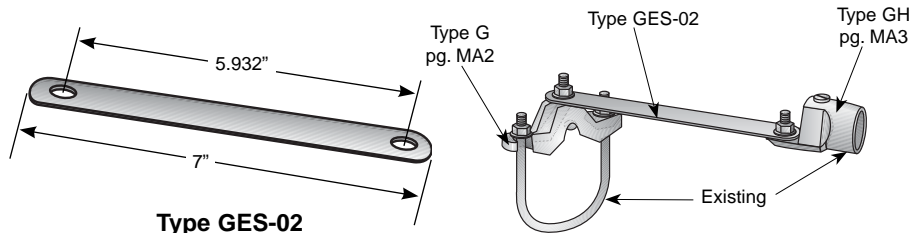
### Flexible Ground Strap

**Use:**  
To provide flexible connection between ground hub and universal clamp.

**Material:** Copper

**Third Party Certification:**  
UL Listed: E-24264

**Applicable Third Party Standards:**  
UL Standard: 467  
CSA Standard: C22.2 No. 41  
Fed. Spec: W-F-406E



Type GES-02

Type GES-02 between Hub and  
Ground Clamp

**Note:**  
Suitable for direct burial when used with clamps and accessories that are suitable for direct burial.

Catalog Number	Number of Straps (Required)	Mounting Centers	Dimensions in Inches			Max. Ground Wire Size
			Width	Strap Holes	Thickness	
GES-02	1	6	1	.342	1/16	2 AWG/kcmil
	2	6	1	.342	1/16	2/0 AWG/kcmil
	3	6	1	.342	1/16	3/0 AWG/kcmil
	4	6	1	.342	1/16	250 AWG/kcmil