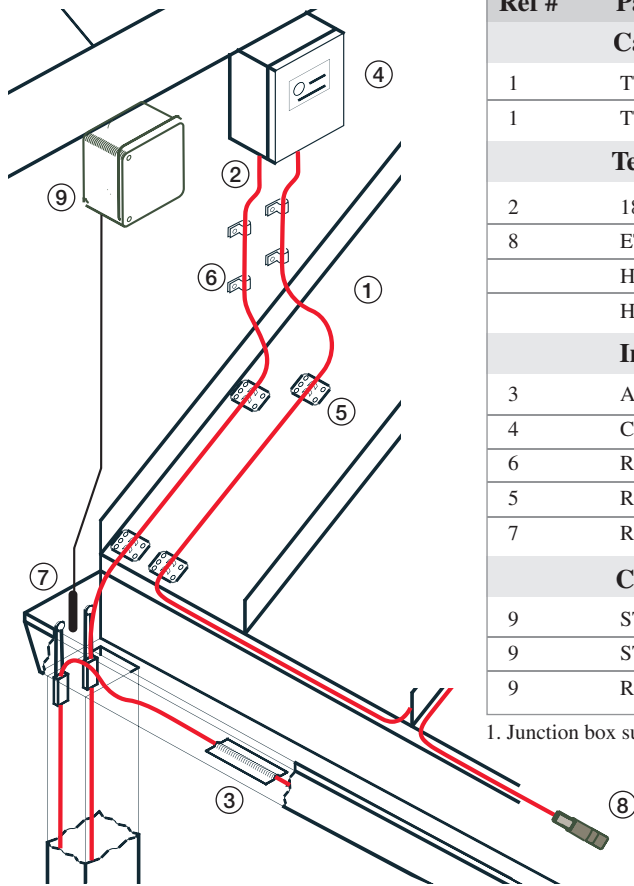


TTS™

Self-Regulating Heating Cable for Roof & Gutter Snow & Ice Melting

Basic Components:

A TTS self-regulating roof and gutter snow and ice melting heat tracing system will typically include heating cable and components shown in the illustration and TTS ordering information below. Please refer to page 54 for detailed accessory information.



1. Junction box supplied by installer

Ref #	Part Number	Description
Cable		
1	TTS-8-1-OJ	8 W/FT @ 120V (500 / 1000 Foot Spools)
1	TTS-8-2-OJ	8 W/FT @ 240V (500 / 1000 Foot Spools)
Termination Kits		
2	18-SXG-Kit ¹	Power Connection Gland Kit w/o Junction Box
8	ET-4S	End Termination Kit
	HS-PBSK	Inline Splice with Heat Shrink
	HS-TBSK	T-Splice with Heat Shrink
Installation Accessories		
3	AL-20P	Aluminum Tape (2" X 150') in gutter
4	CL	Caution Labels (25 Per Pack)
6	RG-CMC	"P" Style Roof, Cable Mounting Clips (100/Bag)
5	RG-CRF	Roof Clips, Cable Roof Fastener (25/Bag)
7	RG-DCH	Downspout Cable Hanger
Controls		
9	STC-DS2B	Snow and Ice Sensor, Pole Mounted
9	STC-DS-8	Snow and Ice Sensor with a 10' Remote Lead Wire
9	RC3-0120-DP	Weatherproof Indoor / Outdoor Thermostat