

Technical Specifications

Applications:

- FS device boxes are installed in applications that require a rugged unit to accept wiring devices, switches, electronic components and terminal blocks.
- FS device boxes provide spacious accessible wiring chambers that are a convenient location to maintain or change a system; pull conductors; make splices or branch conduits.
- FS device boxes, when used with an appropriate cover, provide a raintight installation.
- Both weatherproof and dry location covers are available.

Features/Benefits:

- FS device boxes are sand casted or die casted using copper free (less than .004 copper content) aluminum alloys.
- FS device boxes incorporate external hub design that provides maximum wiring capacity.
- FS device boxes have precision molded NPT threaded hubs allowing trouble-free field installation of rigid conduit.
- FS device boxes are available in 1-7/8" and 2-5/8" depth.
- Carlon® non-metallic weatherproof FS covers are UV resistant, flame retardant and non-corrosive.

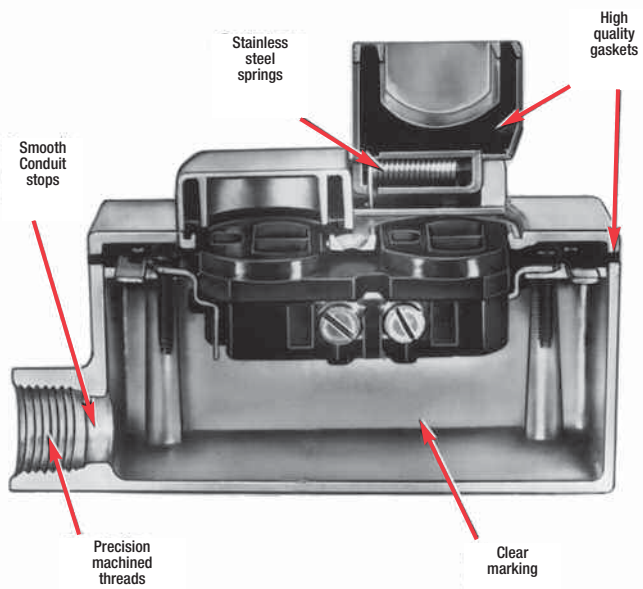
Standard Materials:

- CIFS and CIFD device boxes: sand cast, copper free aluminum (less than .004 copper content).
- CIFSU: die cast, copper free aluminum (less than .004 copper content).
- FS covers: die cast aluminum, sand cast aluminum or non-metallic.

Compliances:

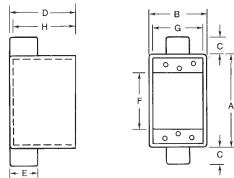
Compliances as noted on each page of the catalogue include:

- CSA Certified
- UL Listed
- cULus Listed





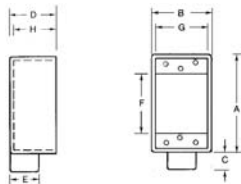
CIFDC



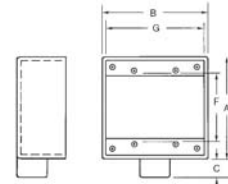
Cat. No.	Hub Size	No. of Gangs	No. of Lugs	A	B	C	D	E	F	G	H	Cu. In.
FDC Boxes - 2-5/8" Deep (Cast Aluminum)												
CIFDC-1/2	2 x 1/2	1	2	4-5/16	2-13/16	15/16	2-5/8	1-3/8	2-7/8	2-3/8	2-5/32	22.5
CIFDC-3/4	2 x 3/4					1-3/8		2-13/32				
CIFDC-1	2 x 1					1-5/8						



CIFS-1G



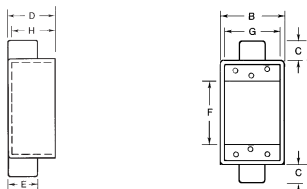
CIFS-2G / CIFS-3G



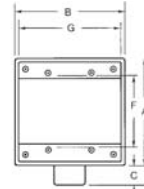
Cat. No.	Hub Size	No. of Gangs	No. of Lugs	A	B	C	D	E	F	G	H	Cu. In.
FS Boxes - 1-7/8" Deep (Cast Aluminum)												
CIFS-1G-1/2	1 x 1/2	1	3	4-5/16	2-13/16	13/16	1-7/8	1-1/4	2-7/8	2-5/16	1-9/16	14.0
CIFS-1G-3/4	1 x 3/4							1-1/2				
CIFS-1G-1	1 x 1							1-3/4				
CIFS-2G-1/2	1 x 1/2	2	3	4-3/8	4-11/16	7/8	1-7/8	1-1/4	2-7/8	4-1/4	1-5/8	26.0
CIFS-2G-3/4	1 x 3/4							1-9/16				
CIFS-2G-1	1 x 1							1-3/4				
CIFS-3G-1/2	1 x 1/2	3	3	4-3/8	6-1/2	7/8	1-7/8	1-1/4	2-7/8	6-1/16	1-5/8	41.0
CIFS-3G-3/4	1 x 3/4							1-9/16				



CIFSC-1G



CIFSC-2G / CIFSC-3G



Cat. No.	Hub Size	No. of Gangs	No. of Lugs	A	B	C	D	E	F	G	H	Cu. In.
FSC Boxes - 1-7/8" Deep (Cast Aluminum)												
CIFSC-1G-1/2	2 x 1/2	1	4	4-5/16	2-13/16	27/32	1-7/8	1-1/4	2-7/8	2-5/16	1-9/16	14.0
CIFSC-1G-3/4	2 x 3/4							1-1/2				
CIFSC-1G-1	2 x 1							1-3/4				
CIFSC-2G-1/2	2 x 1/2	2	4	4-3/8	4-11/16	31/32	1-7/8	1-1/4	2-7/8	4-1/4	1-5/8	26.0
CIFSC-2G-3/4	2 x 3/4							1-9/16				
CIFSC-2G-1	2 x 1							1-3/4				
CIFSC-3G-3/4	2 x 3/4	3	4	4-3/8	6-1/2	29/32	1-7/8	1-9/16	2-7/8	6-1/8	1-5/8	41.0

