

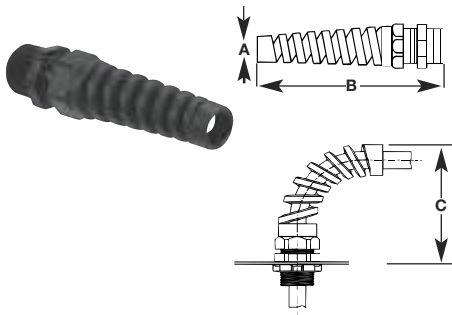
## Flexible Cord

### Nonmetallic Fittings

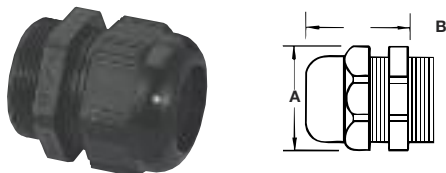
- Liquidtight and stainrelief
- Corrosion resistant polyamide (nylon)
- Vibration proof
- No twisted cords
- Indoor or outdoor use
- Quick installation
- Working temperatures: -30°C (-22°F) to 100°C (212°F) and up to 150°C (302°F) for short periods of time
- Resistant to: Salt water, weak acids, weak alkalis, alcohol, acetone, ether, benzene, gas, mineral oil, animal and vegetable oils



### CISLF-9-03 / CISLF-21-06 CISLFR-9-03 / CISLFR-21-06



### CISL-9-03 / CISL-21-06 CISL-29 / CISL-48 CISLR-9-03 / CISLR-21-06



Cat. No.	Trade Size (in.)	KO Size (in.)	Dia. Over Cable Jacket (in.)		Throat (in.)	Dimensions (in.)		
			Min.	Max.		A	B	C
<b>"Skintight" Straight Cord Fittings (Nylon)</b>								
CISLR-9-03	3/8	3/8	0.079	0.236	0.375	3/4	1	—
CISL-9-03	3/8	3/8	0.187	0.312	0.375	3/4	1	—
CISLR-13-04	1/2	1/2	0.197	0.354	0.500	15/16	1-1/8	—
CISL-13-04	1/2	1/2	0.270	0.480	0.500	15/16	1-1/8	—
CISLR-21-04	1/2	1/2	0.354	0.629	0.600	1-5/16	1-3/16	—
CISL-21-04	1/2	1/2	0.545	0.709	0.600	1-5/16	1-3/16	—
CISLR-21-06	3/4	3/4	0.354	0.629	0.667	1-5/16	1-3/16	—
CISL-21-06	3/4	3/4	0.545	0.709	0.667	1-5/16	1-3/16	—
<b>90° "Skintight" Cord Fittings (Nylon)</b>								
CISLFR-9-03	3/8	3/8	0.079	0.236	0.375	5/16	2-7/16	1-3/4
CISLF-9-03	3/8	3/8	0.187	0.312	0.375	5/16	2-7/16	1-3/4
CISLFR-13-04	1/2	1/2	0.197	0.354	0.500	1/2	3-1/2	2-1/4
CISLF-13-04	1/2	1/2	0.270	0.480	0.500	1/2	3-1/2	2-1/4
CISLFR-21-04	1/2	1/2	0.354	0.629	0.600	3/4	4-1/2	3
CISLF-21-04	1/2	1/2	0.545	0.709	0.600	3/4	4-1/2	3
CISLFR-21-06	3/4	3/4	0.354	0.629	0.667	3/4	4-1/2	3
CISLF-21-06	3/4	3/4	0.545	0.709	0.667	3/4	4-1/2	3



Cat. No.	Trade Size (in.)	Drill Hole (in.)	Dia. Over Cable Jacket (in.)		Throat (in.)	Dimensions (in.)	
			Min.	Max.		A	B
<b>"Skintight" Metric Thread, Straight Cord Fittings (Nylon)</b>							
CISL-29	PG29	1-1/2	0.709	0.984	1.175	1-11/16	1-5/8
CISL-36	PG36	1-7/8	0.866	1.260	1.436	2-1/8	2
CISL-42	PG42	2-3/16	1.260	1.495	1.712	2-3/8	2-1/8
CISL-48	PG48	2-3/8	1.457	1.732	1.920	2-5/8	2-1/8

### CI3360

Dry Location



Cat. No.	Trade Size (in.)	KO Size (in.)	Clamping Range (in.)	
			Min.	Max.
<b>Nonmetallic Fittings</b>				
CI3360	1/2	1/2	0.30	0.60

Complete with metric locknut  
Working temperatures : -30°C (-22°F) to 80°C (176°F)

### CI1703-PL\* / CI1706-PL\*



Cat. No.	Trade Size (in.)
<b>Nylon Locknuts</b>	
CI1703-PL*	3/8
CI1704-PL*	1/2
CI1706-PL*	3/4

\* Not CSA certified