

Technical Specifications

Applications:

- FS device boxes are installed in applications that require a rugged unit to accept wiring devices, switches, electronic components and terminal blocks.
- FS device boxes provide spacious accessible wiring chambers that are a convenient location to maintain or change a system; pull conductors; make splices or branch conduits.
- FS device boxes, when used with an appropriate cover, provide a raintight installation.
- Both weatherproof and dry location covers are available.

Features/Benefits:

- FS device boxes are sand casted or die casted using copper free (less than .004 copper content) aluminum alloys.
- FS device boxes incorporate external hub design that provides maximum wiring capacity.
- FS device boxes have precision molded NPT threaded hubs allowing trouble-free field installation of rigid conduit.
- FS device boxes are available in 1-7/8" and 2-5/8" depth.
- Carlon® non-metallic weatherproof FS covers are UV resistant, flame retardant and non-corrosive.

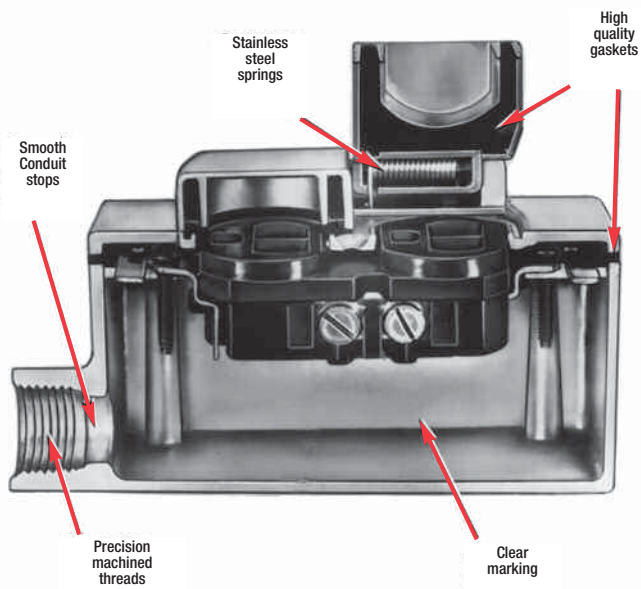
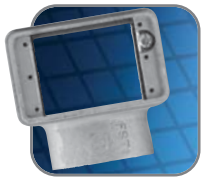
Standard Materials:

- CIFS and CIFSU device boxes: sand cast, copper free aluminum (less than .004 copper content).
- CIFSU: die cast, copper free aluminum (less than .004 copper content).
- FS covers: die cast aluminum, sand cast aluminum or non-metallic.

Compliances:

Compliances as noted on each page of the catalogue include:

- CSA Certified
- UL Listed
- cULus Listed

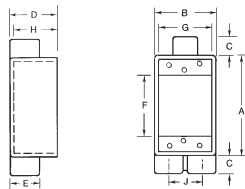


Weatherproof FS Boxes

IBERVILLE®



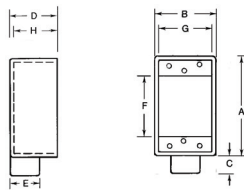
CIFSCC-1G



Cat. No.	Hub Size	No. of Gangs	No. of Lugs	A	B	C	D	E	F	G	H	J	Cu. In.
FSCC Boxes - 1-7/8" Deep (Cast Aluminum)													
CIFSCC-1G-1/2	3 x 1/2	1	3	4-5/16	2-13/16	27/32	1-7/8	1-1/4	2-7/8	2-5/16	1-9/16	1-9/16	14.0
CIFSCC-1G-3/4	3 x 3/4							1-1/2				1-3/4	14.0



CIFS-1G-1/2-HV / CIFS-1G-3/4-HV



Cat. No.	Hub Size	No. of Gangs	No. of Lugs	A	B	C	D	E	F	G	H	J	Cu. In.
347 Volt FS Box Kits - 1-7/8" Deep (Cast Aluminum)													
CIFS-1G-1/2-HV	1 x 1/2	1	3	4-5/8	2-13/16	13/16	1-7/8	1-1/4	2-7/8	2-5/16	1-9/16	-	14.0
CIFS-1G-3/4-HV	1 x 3/4							1-1/2					

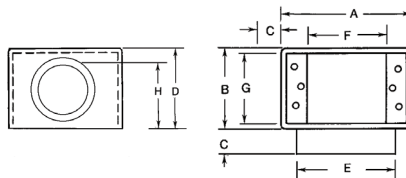
Includes Stamped Aluminum "CIFS-9HV" 347 Volt Covers (not raintight)



CIFSF (1 face)



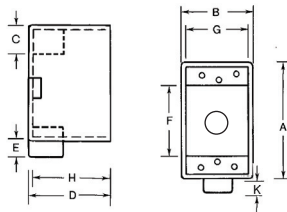
CIFST (2 faces)



Cat. No.	Hub Size	No. of Gangs	No. of Lugs	A	B	C	D	E	F	G	H	J	Cu. In.
FSF Box - 3" Deep (Cast Aluminum)													
CIFSF	2	-	-	4-5/16	2-3/4	31/32	2-7/8	2-7/8	2-13/16	2-13/32	1-15/32	-	30.5
FST Box - 3-5/8" Deep (Cast Aluminum)													
CIFST	2	-	-	4-5/16	2-3/4	1-3/8	3-3/8	3	2-7/8	2-5/16	2-13/16	-	38.7



CIFSU



Cat. No.	Hub Size		No. of Lugs	A	B	C	D	E	F	G	H	K	Cu. In.
Universal FSU Boxes - 2-3/8" Deep (Cast Aluminum)													
	End	Bottom											
CIFSU-1/2	2 x 1/2	1/2	2	4-5/16	2-3/4	13/16	2-3/8	1-1/8	2-13/16	2-1/2	1-29/32	7/16	18.5
CIFSU-3/4	2 x 3/4	3/4	2								2		

Supplied with close up plugs

