

Jacketed Metal Clad Cable Termination Fittings



STE Series Ordinary



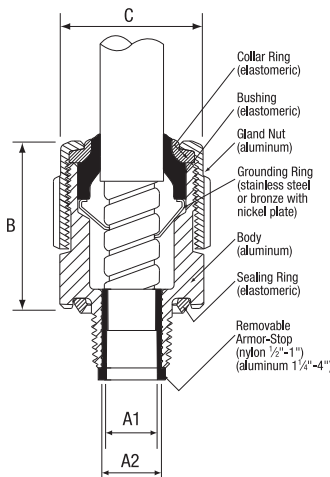
STEX Series Hazardous Locations



STAR TECK EXTREME® Jacketed Metal-Clad Cable Fittings

T&B Fittings

CAT. NO.	HUB SIZE NPT	STRIP LENGTH (IN.)	GLAND TORQUE (IN.-LB.)	CABLE RANGE OVER JACKET (IN.)		CABLE RANGE OVER ARMOR (IN.)		DIMENSIONS (IN.)				SEALING COMPOUND REQUIRED	
				MIN.	MAX.	MIN.	MAX.	A1: THROAT DIA. MIN. W/END STOP	A2: THROAT DIA. MIN. WO/END STOP	B OVERALL	C MAX. O.D.	SC65 PUTTY (G)	SC4-KIT LIQUID (CC)
Ordinary Locations													
ST050-462#	½	1¼	300	.525	.650	.415	.570	N/A*	.395	2.020	1.224	—	—
STE050DATA**#	½	¾	300	.592	.693	.502	.603	.375	.515	2.100	1.360	—	—
STE050*	½	1¼	300	.600	.985	.520	.895	.505	.612	2.650	1.630	—	—
STE075*	¾	1¼	600	.860	1.205	.780	1.125	.655	.816	2.900	2.080	—	—
STE100*	1	1¼	700	.950	1.375	.870	1.295	.785	1.044	3.020	2.300	—	—
STE125*	1¼	1¼	1,000	1.150	1.625	.990	1.465	.970	1.250	4.010	2.820	—	—
STE150*	1½	1¼	1,200	1.440	1.965	1.280	1.805	1.260	1.562	4.290	3.250	—	—
STE200*	2	1¼	1,600	1.825	2.375	1.665	2.215	1.645	1.995	4.120	3.600	—	—
STE250	2½	2½	1,600	2.265	2.840	2.105	2.680	2.075	2.424	5.320	4.750	—	—
STE300	3	2½	1,600	2.670	3.270	2.545	3.145	2.531	2.890	5.400	5.400	—	—
STE350	3½	2½	1,600	3.220	3.870	3.090	3.640	3.065	3.460	5.360	5.900	—	—
STE400	4	2½	1,600	3.665	4.340	3.550	4.225	3.525	3.941	5.415	6.400	—	—
Hazardous Locations													
STX050-462*	½	1¼	300	.525	.650	.415	.570	N/A*	.395	2.500	1.630	7	4
STX050-464*	½	1¼	300	.600	.760	.490	.680	N/A*	.485	2.530	1.630	7	4
STEX075*	¾	1¼	600	.600	.985	.520	.895	.504	.678	3.400	1.820	14	7
STEX100*	1	1¼	700	.860	1.205	.780	1.125	.650	.833	3.580	2.300	30	16
STEX125*	1¼	1¼	1,000	.950	1.375	.870	1.295	.834	1.065	3.920	2.510	45	22
STEX150*	1½	1¼	1,200	1.150	1.625	.990	1.465	.958	1.273	5.020	3.260	80	43
STEX200*	2	1¼	1,600	1.440	1.965	1.280	1.805	1.250	1.560	5.120	3.620	125	66
STEX250	2½	2½	1,600	1.825	2.375	1.665	2.215	1.640	1.995	5.170	4.580	341	164
STEX300	3	2½	1,600	2.265	2.840	2.105	2.680	2.075	2.461	6.610	5.100	497	239
STEX350	3½	2½	1,600	2.670	3.270	2.545	3.145	2.531	2.864	7.380	5.790	965	464
STEX400	4	2½	1,600	3.220	3.870	3.090	3.640	3.055	3.461	7.650	6.190	1323	636
STX400-484#	4	—	1,600	3.810	4.030	3.680	3.870	—	—	—	—	1645	791
STX400-485#	4	—	1,600	3.965	4.185	3.835	4.025	—	—	—	—	1645	791



To specify other material, add the appropriate suffix to the category number.

DESIRED MATERIAL	SUFFIX	EXAMPLE
Aluminum fitting with grounding lock nut	GRL	STE-050GRL
Steel with zinc plate	S	STE-050S
Aluminum with PVC coating	PVC	STE-050PVC
Steel with PVC coating	S-PVC	STE-050S-PVC

* These products are UL Listed Watertight NEMA Type 6P

** UL tested for data cables

Does not have a removable armor stop.

Sealing Compounds — Used for Hazardous Locations

CAT. NO.	DESCRIPTION	VOLUME
SC65	Putty Type Sealing Compound	60 grams
SC4-KIT	Liquid Type Sealing Compound for use in high wire density applications (5 or more wires)	2.8 fl. oz. (66 cc)



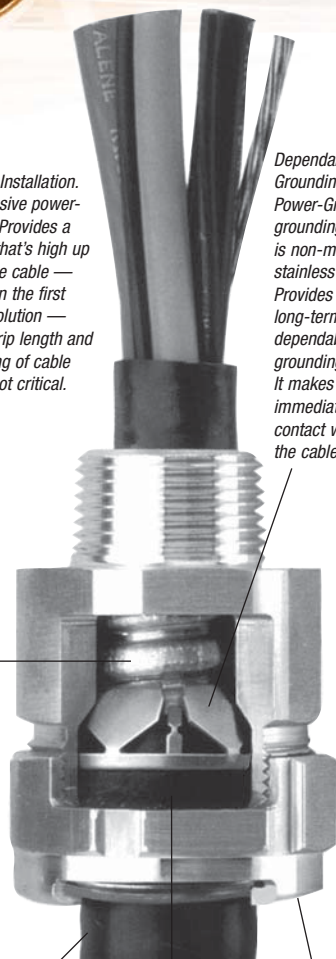
Easy Installation. Exclusive power-grip. Provides a grip that's high up on the cable — not on the first convolution — so strip length and cutting of cable are not critical.

Dependable Grounding. Power-Grip grounding ring is non-magnetic stainless steel. Provides 360° long-term dependable grounding. It makes immediate contact with the cable.

Dependable Service. Stainless steel retaining ring. Withstands corrosive environments. Non-magnetic.

Watertight Tapered bushing. Cone shaped to provide a secure, tight fit while eliminating cupping or water in vertical installations.

Easy to Install in tight spaces. Low profile gland nut fits tight spaces. Has grooves for screwdriver installation, and flats for a wrench. Durable and reusable with funnel entry for easy cable insertion.



STAR TECK® Jacketed Metal-Clad Cable Fittings

Overlapping range of sizes. Star Teck® jacketed metal-clad cable fittings are designed to accommodate a broad range of cables, thereby minimizing the possibility of mismatched cables and fittings in the field.

Application

- Provide means for passing armored, metal clad, jacketed cables through a bulkhead or enclosure in hazardous areas (these fittings are suitable for hazardous areas when used with T&B sealing compound)
- Form a mechanical grip and water and/or oil-resistant termination
- Provide grounding continuity of cable armor

Cable Type

- JMC, MC-HL, Teck

Features

Easy Installation

- Exclusive power-grip. Provides a grip that's high up on the cable — not on the first convolution — so strip length and cutting of cable are not as critical

Dependable Service

- Stainless steel retaining ring. Withstands corrosive environments. Non-magnetic

Dependable Grounding

- Power-Grip grounding ring is non-magnetic stainless steel. Provides 360° long-term dependable grounding. It makes immediate contact with the cable

Watertight

- Tapered bushing. Cone shaped to provide a secure, tight fit while eliminating cupping or water in vertical installations

Easy to Install in Tight Spaces

- Low profile gland nut fits tight spaces. Has grooves for screwdriver installation, and flats for a wrench. Durable and reusable with funnel entry for easy cable insertion

Materials

- Aluminum is standard material
- Add suffix "S" for steel with zinc plating
- Add suffix "PVC" for corrosion resistant PVC coating
- Add suffix "SS" for stainless steel Grade 316 material (½"-2" sizes)

Environment Classification

- Suitable for hazardous locations. Class I Div. 2; Class II Div. 2; Class III. Where explosion proof or dust proof fittings are required by code use STAR TECK XP® fittings (STX Series)
- NEMA 4
- Suitable for use in wet locations and concrete tight (steel) applications per UL 514B
- UL File No. E82038/E38947
- CSA File No. LR638/LR23086

Range

- Available in hub sizes from ½" to 4," and will handle outer jacket diameters from 0.525" to 4.340"

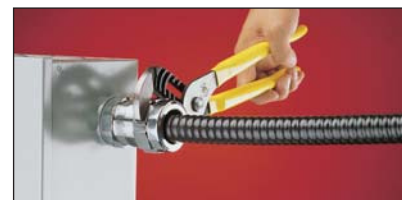
Installing the STAR TECK® Fitting



1. Prepare cable



2. Insert cable



3. Tighten gland nut

Jacketed Metal Clad Cable Termination Fittings

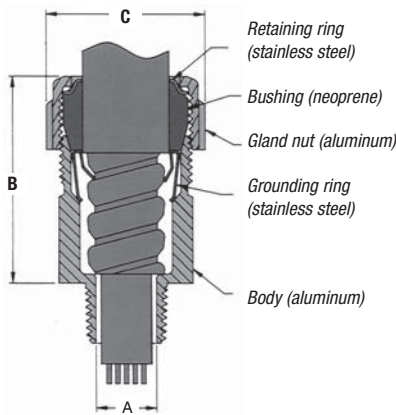


Overlapping range of sizes accommodates a broad range of cables!

STAR TECK® Jacketed Metal-Clad Cable Fittings for Ordinary Locations



T&B Fittings



CAT. NO.	HUB SIZE NPT	CABLE RANGE OVER JACKET (IN.)		CABLE RANGE OVER ARMOR (IN.)		DIMENSIONS (IN.)		
		MIN.	MAX.	MIN.	MAX.	A	B*	C
ST050-462	½	0.525	0.650	0.415	0.570	0.395	2.020	1.224
ST050-464	½	0.600	0.760	0.490	0.680	0.485	2.020	1.363
ST050-465	½	0.725	0.885	0.615	0.805	0.612	2.133	1.633
ST050-466	½	0.825	0.985	0.715	0.905	0.612	2.133	1.633
ST075-467	¾	0.880	1.065	0.770	0.985	0.819	2.450	2.080
ST075-468	¾	1.025	1.205	0.915	1.125	0.819	2.450	2.080
ST100-469	1	1.187	1.375	1.077	1.295	1.039	2.601	2.230
ST125-470	1¼	1.357	1.625	1.240	1.545	1.182	3.282	2.824
ST125-550	1¼	1.500	1.625	1.390	1.545	1.370	3.282	2.824
ST125-471	1¼	1.600	1.875	1.490	1.795	1.370	3.282	2.824
ST150-472	1½	1.700	1.965	1.590	1.885	1.557	3.620	3.260
ST150-473	1½	1.900	2.187	1.790	2.107	1.600	3.620	3.260
ST200-551	2	1.900	2.187	1.790	2.107	1.715	3.640	3.620
ST200-474	2	2.100	2.375	1.990	2.280	1.995	3.640	3.620
ST200-475	2	2.300	2.565	2.190	2.485	2.057	3.640	4.020
ST200-476	2	2.500	2.750	2.390	2.656	2.057	3.640	4.020
ST250-477	2½	2.380	2.640	2.240	2.560	2.230	4.700	4.750
ST250-478	2½	2.580	2.840	2.440	2.750	2.430	4.700	4.750
ST300-479	3	2.790	3.060	2.640	2.970	2.630	4.700	5.050
ST300-480	3	3.000	3.270	2.870	3.190	2.860	4.790	5.480
ST300-481	3	3.210	3.480	3.042	3.390	3.032	4.790	5.480
ST350-482	3½	3.420	3.690	3.270	3.590	3.260	4.790	5.980
ST350-483	3½	3.610	3.870	3.440	3.770	3.430	4.790	5.980
ST400-484	4	3.810	4.030	3.600	3.930	3.590	4.840	6.435
ST400-485	4	3.965	4.185	3.755	4.065	3.745	4.840	6.435
ST400-486	4	4.120	4.340	3.910	4.220	3.900	4.840	6.435

* Approximate dimension before installation.

Suggested specifications for metal-clad cable fitting.

- All metal-clad cable fittings for jacketed interlocked armor cable or continuous corrugated cable shall be approved by a nationally recognized testing laboratory, inspection agency or product evaluation organization.
- Where corrugated-jacketed metal-clad cable exposed to intermittent or continuous moisture is terminated into a threaded opening, the fitting shall be watertight type furnished with:
 - An elastomeric beveled bushing.
 - A funnel entry, splined gland nut.
 - A non-magnetic stainless steel grounding device with dual grounding action.
 - A taper threaded hub.
 - A hexagonal body and gland nut as manufactured by Thomas & Betts (aluminum series ST050-464).
- Where cable is terminated into a threadless opening, a suitable moisture-resistant elastomeric gasket as manufactured by Thomas & Betts, series 5262, shall be provided between the outside of enclosure and fitting shoulder.
- With single conductor cable and/or in corrosive environments, aluminum fittings such as Thomas & Betts series ST050-464 shall be installed.

Class I Div 2; Class II Div. 2; Class III. Where explosion-proof or dust-ignition-proof boxes are required by Teck, fitting must be used in conjunction with an approved sealing fitting.

- Overlapping sizes minimize possibility of mismatched cables and fittings in the field
- Available in hub sizes from ½" to 4", handling outer jacket diameters from 0.525" to 4.34"
- Suitable for hazardous locations (Class 1 Div. 2; Class II Div. 2; Class III)
- Where explosion-proof or dust-proof boxes are required by code, use STAR TECK XP® fittings (STX050-462 Series)