



(CO2-200)



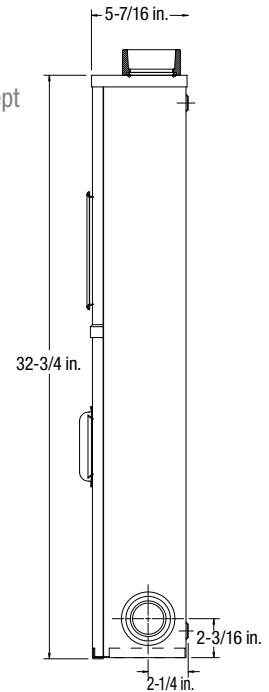
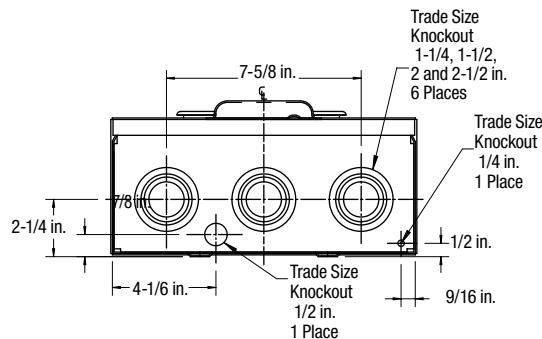
CAT. NO.: C03417M-1-FG

CO2 Series

200 A 120/240 V; Combination with or without Breaker

Product Specifications

- Conductor range (Line and Load): 1 AWG-250 kcmil
- Aluminum tunnel type connectors for both load and line sides
- For overhead and underground services
- Suitable for 120/240 V single phase service entrance for mobile homes, trailers, temporary services, recreational parks and other commercial and residential locations
- Factory installed 2 pole circuit breaker, 10,000 A rms interrupting capacity
- Adjustable bracket now available for field installation to accept Cutler Hammer (ED, EDH) breakers, cat. no. C03417M-1-FG
- "QJ" Type Siemens breaker
- Supplied with screw type rings
- Weatherproof Type 3R enclosure
- **Primarily used in: All provinces**
Quebec only: As per Hydro-Québec spec
(supplied with 22 kA Siemens breaker)



Approved for copper or aluminum

Cat. No.	Type	Description	Dimensions (in.)			Weight Each	
			H	W	D	lb.	kg
4 JAW							
CO2	Overhead	Provision for Siemens (QJ), 200 A 2 pole 10 kA rated circuit breaker	32-3/4	11-13/16	5-7/16	28	12.7
CO2-125	Overhead	c/w Siemens QJ 125 A 2 pole 10 kA rated circuit breaker					
CO2-125-5V	Overhead	c/w Siemens QJ 125 A 2 pole 10 kA rated circuit breaker, c/w 5 th jaw					
CO2-125HI	Overhead	c/w Siemens QJH 125 A 2 pole 22 kA rated circuit breaker					
CO2-150	Overhead	c/w Siemens QJ 150 A 2 pole 10 kA rated circuit breaker					
CO2-150-5V	Overhead	c/w Siemens QJ 150 A 2 pole 10 kA rated circuit breaker, c/w 5 th jaw					
CO2-150HI	Overhead	c/w Siemens QJH 150 A 2 pole 22 kA rated circuit breaker					
CO2-200	Overhead	c/w Siemens QJ 200 A 2 pole 10 kA rated circuit breaker					
CO2-200-5V	Overhead	c/w Siemens QJ 200 A 2 pole 10 kA rated circuit breaker, c/w 5 th jaw					
CO2-200HI	Overhead	c/w Siemens QJH 200 A 2 pole 22 kA rated circuit breaker					
CO2-200G	Underground	c/w Siemens QJ 200 A 2 pole 10 kA rated circuit breaker, c/w gutter					
CO2-200GM	Underground	c/w Siemens QJ 200 A 2 pole 10 kA rated circuit breaker and adjustable bracket, c/w gutter					
CO2-G	Underground	Provision for Siemens (QJ), 200 A 2 pole 10 kA rated circuit breaker, c/w gutter					
CO2-GMB	Underground	Atco, Alberta; provision for Siemens (QJ), Cutler Hammer (ED, EDH), 200 A 2 pole 10 kA rated circuit breaker, c/w pole mount kit, 2 x 3306 connectors, c/w gutter					

Note: Some local utilities require a gutter option for underground services. Order with suffix -G.