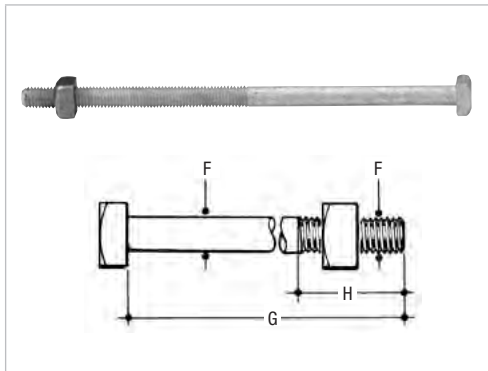


Pole Line Hardware



Machine Bolts

Machine Bolts

Cat. No.	F Dia.(in.)	G Length (in.)	H Min. (in.)	Weight (100 pcs)		Std. Pkg.
				lb.	kg	
BM506	5/8	6	1-1/2	70	31.8	25
BM508		8	4	86	39.0	50
BM510		10		102	46.3	
BM512		12	6	115	52.2	
BM514		14		130	59.0	
BM516		16		145	65.9	
BM518		18		160	72.7	
BM520		20	175	79.5		



Lag Screws

Lag Screws

Cat. No.	F Dia.(in.)	G Length (in.)	Weight (100 pcs)		Std. Pkg.
			lb.	kg	
T102L	1/4	2-1/2	3	1.3	100
T103		3	4	1.8	
T203	5/16		6	2.7	
T302	3/8	2	7	3.1	
T303		3	10	4.5	
T304		4	11	5.0	
T305		5	14	6.3	
T306		6	17	7.7	
T308		8	22	10.0	
T310		10	27	12.2	
T404-CM		1/2	4	22	10.0
T405	5		27	12.2	
T406	6		31	14.0	
T505	5/8		5	45	20.4