

UWZ Accessories

55 mm Bezel

for UWZ48E



BEZ55-GRAYU



BEZ55-BLACKU

72 mm Bezel

for UWZ48E



BEZ72U Gray

72 mm Bezel with 3 Pins

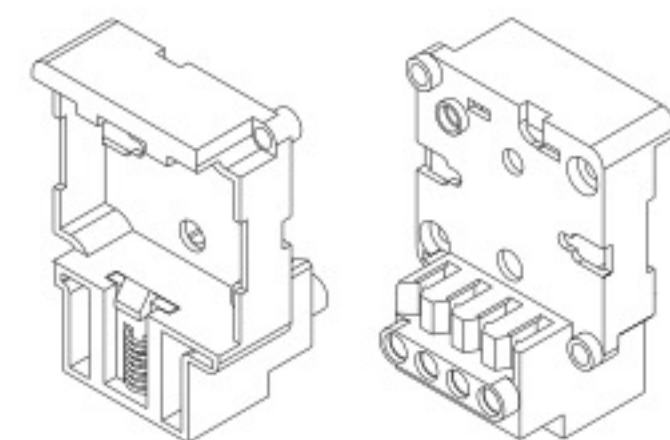
for round 3-bolt hole opening for UWZ48E



BEZ72PU Gray

DIN Rail Mounting Base

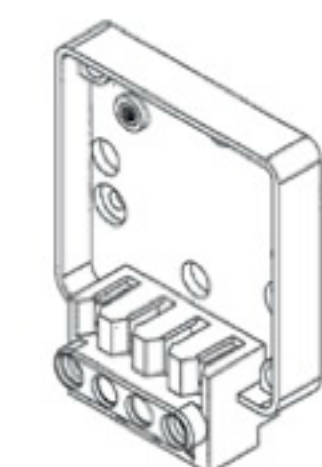
for UWZ48E



MB-48V

Flush Mount Base

for UWZ48



691



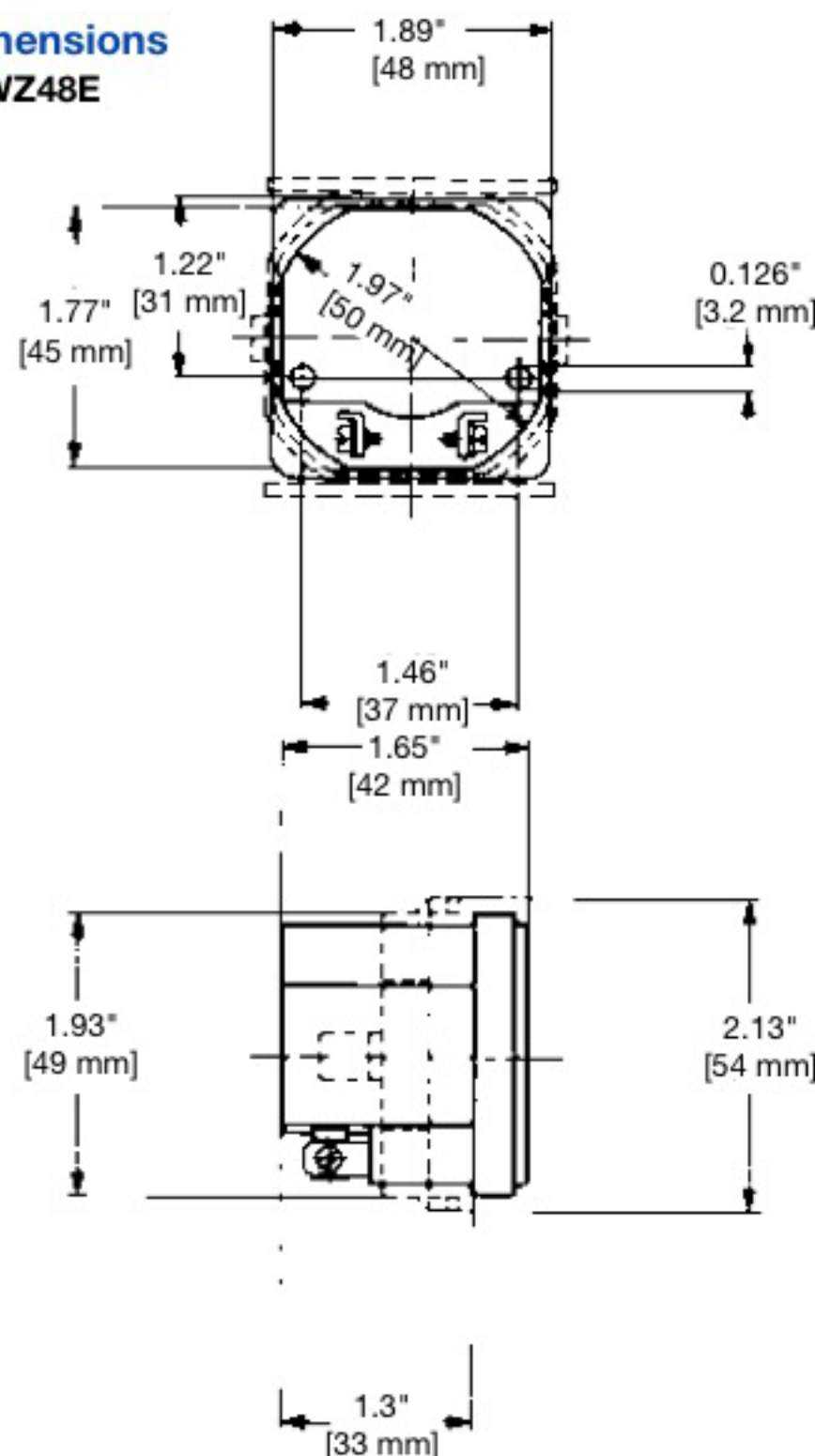
UWZ48E Series

Flush Mount

Flush mounted with bracket, the UWZ48E unit fits into a 1.79" x 1.79" (45.5 x 45.5 mm) cutout. The thickness of the panel for flush mounting can be up to .35" (9 mm). The unit is secured in position by a plastic slip-on retaining bracket. The unit also fits square or round openings for 72 mm with optional 72 mm bezel.

Ratings	
Voltage Available	24, 120, 220 or 240 VAC
Frequency	50 or 60 Hz
Power Consumption	1 VA
Bezel	1.89" x 1.89" (48 mm x 48 mm)
Capacity	99,999.99 hours
Digits	0.16" high numerals
Operating Temperature	-40° F to 160° F (-40° C to 72° C)
Electrical Connection	Combination ¼" spade and screw clamp
Material	Light gray plastic
Weight	2.1 oz.
Ordering Information	UWZ48E + Desired Voltage + Frequency + U

Dimensions UWZ48E



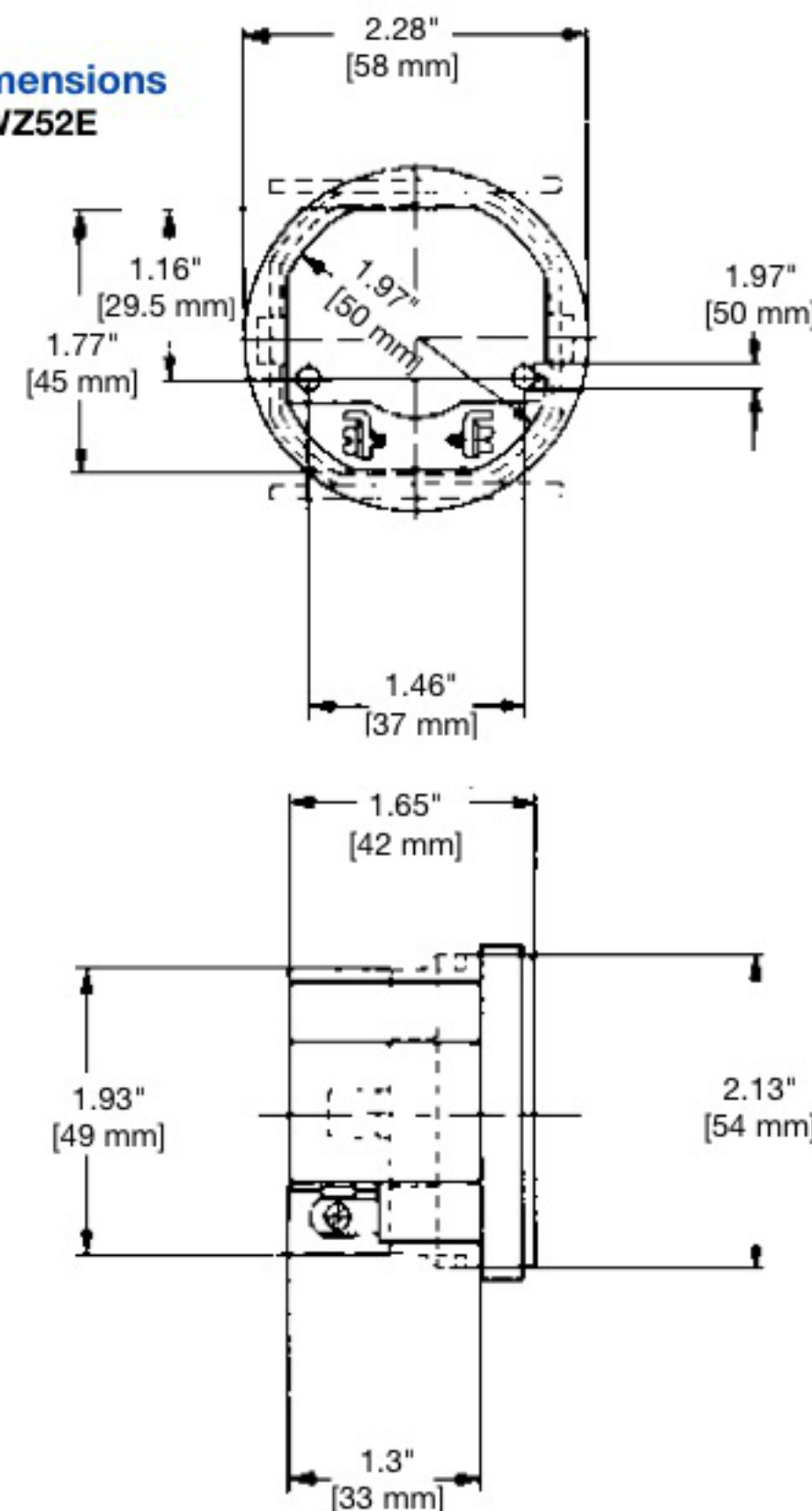
UWZ52E Series

Flush Mount

Flush mounted with bracket, the UWZ52E with round face is fastened with a plastic slip-on retaining bracket.

Ratings	
Voltage Available	120 VAC
Frequency	60 Hz
Power Consumption	1 VA
Bezel	2.28" Ø (58 mm)
Capacity	99,999.99 hours
Digits	0.16" high numerals
Operating Temperature	-40° F to 160° F (-40° C to 72° C)
Electrical Connection	Combination ¼" spade and screw clamp
Material	Light gray plastic
Weight	2.1 oz.
Ordering Information	UWZ52E + Desired Voltage + Frequency + U

Dimensions UWZ52E



Ordering Example:

To build a model #, choose the Hour Meter Series at the frequency you want. Then specify voltage and add a U suffix. Only 50 Hz models need to be denoted in the model #.

Select:	Series	+ VAC	+ Hz	= Model #
50 Hz Models:	UWZ48E	+ 220	+ /50U	= UWZ48E-220/50U
60 Hz Models:	UWZ48E	+ 24	+ (60)	= UWZ48E-24U



#151753



#E22587

