

MQM*NX Series Remote Fixture

NEMA-4X certified



Features

- Delivers unsurpassed pathway illumination up to 70 feet, center-to-center (with 12V-20W high-output lamp)
- Fully gasketed cast aluminum back plate with clear polycarbonate cover
- UV and impact resistant cover
- Choice of single or double lamp models
- Available in 6, 12 and 24 Volt models with various wattages
- High efficiency MR16 lamps up to 20W
- Easy lamp replacement
- Comes standard with tamper-proof screws and bit
- NSF Certified for food processing plants
- NEMA-4X Certified
- CSA Certified to C22.2 N°. 50



Made in Canada



NEMA-4X

Typical Specification

Supply and install Lumacell MQM-NX Series remote emergency lighting fixtures. These remote fixtures will consist of either single or double lamp configurations according to the design. These fixtures shall be fully gasketed with a die cast aluminum back plate and a clear heavy-duty UV resistant polycarbonate light cover. Units shall be NEMA-4X and NSF certified and specifically designed for high abuse areas, wet and cold weather locations as well as for use in food processing plants. The standard unit will come with stainless steel tamper-proof screws and bit.

The remote fixture shall be certified to CSA C22.2 N°.50. The head(s) shall be fully adjustable without tools and should be equipped with MR16 halogen lamp(s) of _____ volts _____ watts.

The remote unit shall be the Lumacell model:
MQM_ NX _____ .

In the same family...



RG-NX

Battery Units p. 112 - 113



MQM-NC

Remote Fixtures p. 168- 169



MQM-HZ Class I, Div. 2

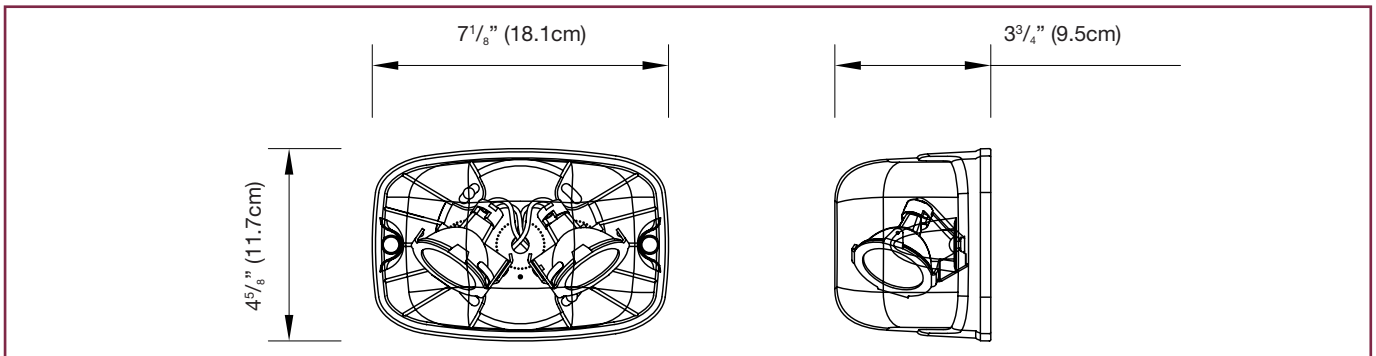
Remote Fixtures p. 194 - 195

Project / Location		Date
Contractor	Prepared by	
LUMACELL Model		



MQM*NX

Dimensions



Replacement Lamps

Model	Lamp Type	Voltage-Wattage
580.0079-L	MR16 flood	6V-10W
580.0080-L	MR16 flood	12V-12W
580.0070-L	MR16 flood	24V-12W

See the complete list p. 196 to 199.

Ordering Information

Series	Lamp Type/Voltage/Wattage	Colour
MQM1NX = NEMA-4X, one lamp	6V6W = 6V-6W, MR16	Blank = factory white
MQM2NX = NEMA-4X, two lamps	6V10W = 6V-10W, MR16	BK = black
	12V12W = 12V-12W, MR16	SG = grey
	12V20WH = 12V-20W, MR16 high output	
	24V12W = 24V-12W, MR16	
	24V20W = 24V-20W, MR16	
	120V20W = 120V-20W, GU10	
	L = 12V-5W, LED	

*Other colours available on demand.
Consult your sales representative.

EXAMPLE: MQM1NX6V6W