

# Molded Case Circuit Breakers

SELECTION / DIMENSIONS

## JD 400A Frame Sentron Series

Type HJD6-A, HJXD6-A<sup>②④</sup>

Black Label

### Interchangeable Trip

Continuous Current Rating @ 40°C	Complete Breaker Unassembled with Lugs		Frame Only		Trip Unit Only	
	Catalog Number	List Price \$	Catalog Number	List Price \$	Catalog Number	List Price \$

### 2-Pole 600V AC, 250V DC (3 Pole Width)

Current Rating	Complete Breaker	List Price	Frame Only	List Price	Trip Unit Only	List Price
200	HJD62B200	4250.00	HJD62F400	2696.00	JD62T200	1456.00
225	HJD62B225	4250.00			JD62T225	1456.00
250	HJD62B250	4250.00			JD62T250	1456.00
300	HJD62B300	4250.00			JD62T300	1456.00
350	HJD62B350	4250.00			JD62T350	1456.00
400	HJD62B400	4250.00			JD62T400	1456.00

### 3-Pole 600V AC, 500V DC<sup>①②⑤</sup>

Current Rating	Complete Breaker	List Price	Frame Only	List Price	Trip Unit Only	List Price
200	HJD63B200	5122.00	HJD63F400	3353.00	JD63T200	1622.00
225	HJD63B225	5122.00			JD63T225	1622.00
250	HJD63B250	5122.00			JD63T250	1622.00
300	HJD63B300	5122.00			JD63T300	1622.00
350	HJD63B350	5122.00			JD63T350	1622.00
400	HJD63B400	5122.00			JD63T400	1622.00

Type HHJD6, HHJXD6-A<sup>②④</sup>

### 2-Pole 600V AC (3 Pole Width)

Black Label

Current Rating	Complete Breaker	List Price	Frame Only	List Price	Trip Unit Only	List Price
200	HHJD62B200	5110.00	HHJD62F400	3556.00	JD62T200	1456.00
225	HHJD62B225	5110.00			JD62T225	1456.00
250	HHJD62B250	5110.00			JD62T250	1456.00
300	HHJD62B300	5110.00			JD62T300	1456.00
350	HHJD62B350	5110.00			JD62T350	1456.00
400	HHJD62B400	5110.00			JD62T400	1456.00

### 3-Pole 600V AC<sup>②</sup>

Current Rating	Complete Breaker	List Price	Frame Only	List Price	Trip Unit Only	List Price
200	HHJD63B200	6143.00	HHJD63F400	4374.00	JD63T200	1622.00
225	HHJD63B225	6143.00			JD63T225	1622.00
250	HHJD63B250	6143.00			JD63T250	1622.00
300	HHJD63B300	6143.00			JD63T300	1622.00
350	HHJD63B350	6143.00			JD63T350	1622.00
400	HHJD63B400	6143.00			JD63T400	1622.00

Type CJD6

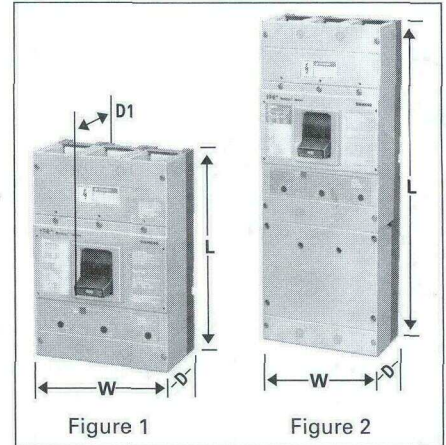
### Fuseless Current Limiting

Red Label

### Non-Interchangeable Trip (Assembled Circuit Breakers Without Lugs)

Continuous Current Rating @ 40°C	2-Pole		3-Pole	
	600V AC/250V DC		600V AC/500V DC	
	Catalog Number	List Price \$	Catalog Number	List Price \$
200	CJD63B200	6400.00	CJD63B200	6400.00
225	CJD63B225	6400.00	CJD63B225	6400.00
250	CJD63B250	6400.00	CJD63B250	6400.00
300	CJD63B300	6400.00	CJD63B300	6400.00
350	CJD63B350	6400.00	CJD63B350	6400.00
400	CJD63B400	6400.00	CJD63B400	6400.00

For 2-pole application use outside poles of 3-pole circuit breaker



Dimensions (in inches)

Breaker Type	W	L	D	To Handle D1
Figure 1 JXD2-A, JXD6-A, JD6-A HJD6-A, HJXD6-A, HHJD6, HJD6, HJXD6, HHJXD6, JXD6-ETI <sup>③</sup>	7.5	11	4	5.44
Figure 2 CJD6, CJD6-ETI <sup>③</sup>	7.5	17.86	4	5.44

### Enclosures

Type	Catalog Number	List Price \$
1	J6N1	203.00
3R	J6N3R	1092.00
12	J6N12	568.00
4X	LD6SS4	5443.00
7, 9 (200-250A)	EC4	3773.00
7, 9 (300-400A)	EE	5221.00
Neutral	W60992	308.00

### Shipping Weights

Number of Poles	Number per Carton	Shipping Weight (lbs.)
<b>JXD2, JXD6, JD6, HJD6, HHJD6 Assembled Breaker (less terminals)</b>		
2	1	17.5
3	1	19.5
<b>JD6, HJD6, HHJD6 Frame Only</b>		
2	1	14
3	1	15.5
<b>JD6 Trip Unit Only</b>		
2	1	3.5
3	1	4
<b>CJD6 Complete Assembled Breaker (less terminals)</b>		
2	1	29.5
3	1	31.5

For inches / millimeters conversion, see Application Data section.

2-pole units available in 3-pole construction.

④When wired as shown on page 49, this circuit breaker is UL listed and rated for use on 500V DC ungrounded UPS systems only.

③For non-interchangeable 3-pole HJD6 or HHJD6 type circuit breaker change the prefix identifier to HJXD6 or HHJXD6. Price equals price of frame plus price of trip, e.g. price of HJD63B400 equals price of HJD63F400 plus price of JD63T400. Order lugs separately.

③JXD6-ETI, CJD6-ETI see page 106 for ordering information.

④Type HJXD6, HHJXD6 Circuit Breakers are UL listed for reverse fed applications.

⑤CE applies to non-interchangeable type HJXD only.

Built to order. Allow 2 weeks for production.

# Molded Case Circuit Breakers

SELECTION

## JD 400A Frame Sentron Series

Type JXD2-A

240V AC, 250V DC

Blue Label

### Non-Interchangeable Trip (Assembled Circuit Breaker without Lugs)

Continuous Current Rating @ 40°C	2-Pole (3 Pole Width)		3-Pole	
	Catalog Number	List Price \$	Catalog Number	List Price \$
200	JXD22B200	1996.00	JXD23B200	2425.00
225	JXD22B225	1996.00	JXD23B225	2425.00
250	JXD22B250	1996.00	JXD23B250	2425.00
300	JXD22B300	1996.00	JXD23B300	2425.00
350	JXD22B350	1996.00	JXD23B350	2425.00
400	JXD22B400	1996.00	JXD23B400	2425.00

Type JXD6-A<sup>①</sup>

600V AC, 500V DC<sup>②</sup>

Blue Label

### Non-Interchangeable Trip (Assembled Circuit Breaker without Lugs)

Continuous Current Rating @ 40°C	2-Pole (3 Pole Width)		3-Pole	
	Catalog Number	List Price \$	Catalog Number	List Price \$
200	JXD62B200	2494.00	JXD63B200	2950.00
225	JXD62B225	2494.00	JXD63B225	2950.00
250	JXD62B250	2494.00	JXD63B250	2950.00
300	JXD62B300	2494.00	JXD63B300	2950.00
350	JXD62B350	2494.00	JXD63B350	2950.00
400	JXD62B400	2494.00	JXD63B400	2950.00

Type JD6-A

Blue Label

### Interchangeable Trip

Continuous Current Rating @ 40°C	Complete Breaker Unassembled with Lugs		Frame Only		Trip Unit Only	
	Catalog Number	List Price \$	Catalog Number	List Price \$	Catalog Number	List Price \$
200	JD62B200	2592.00	JD62F400	1038.00	JD62T200	1456.00
225	JD62B225	2592.00			JD62T225	1456.00
250	JD62B250	2592.00			JD62T250	1456.00
300	JD62B300	2592.00			JD62T300	1456.00
350	JD62B350	2592.00			JD62T350	1456.00
400	JD62B400	2592.00			JD62T400	1456.00

### 2-Pole 600V AC, 250V DC (3 Pole Width)

Continuous Current Rating @ 40°C	Catalog Number	List Price \$	Frame Only Catalog Number	Frame Only List Price \$	Trip Unit Only Catalog Number	Trip Unit Only List Price \$
200	JD62B200	2592.00	JD62F400	1038.00	JD62T200	1456.00
225	JD62B225	2592.00			JD62T225	1456.00
250	JD62B250	2592.00			JD62T250	1456.00
300	JD62B300	2592.00			JD62T300	1456.00
350	JD62B350	2592.00			JD62T350	1456.00
400	JD62B400	2592.00			JD62T400	1456.00

### 3-Pole 600V AC, 500V DC<sup>②</sup>

Continuous Current Rating @ 40°C	Catalog Number	List Price \$	Frame Only Catalog Number	Frame Only List Price \$	Trip Unit Only Catalog Number	Trip Unit Only List Price \$
200	JD63B200	3097.00	JD63F400	1328.00	JD63T200	1622.00
225	JD63B225	3097.00			JD63T225	1622.00
250	JD63B250	3097.00			JD63T250	1622.00
300	JD63B300	3097.00			JD63T300	1622.00
350	JD63B350	3097.00			JD63T350	1622.00
400	JD63B400	3097.00			JD63T400	1622.00

## Interrupting Ratings

Breaker Type	RMS Symmetrical Amperes (KA)										
	UL 489 AIR (File E10848)					IEC 947-2					
	Volts AC (50/60Hz)			Volts DC		Volts AC (50/60Hz)					
	240	480	600	250	500 <sup>②</sup>	220/240		380/415		500	
	lcu	lcs	lcs	lcs	lcs	lcs	lcs	lcs	lcs	lcs	
JXD2-2	65	—	—	30 (2-P)	—	—	—	—	—	—	
JXD6-2, JD6-A	65	35	25	30 (2-P)	25 (3-P)	65	33	40	20	30	15
HJD6-A, HJXD6-A	100	65	35	30 (2-P)	35 (3-P)	100	50	65	33	42	21
HHJD6-A, HHJXD6 <sup>③</sup>	200	100	50	—	—	200	100	100	50	65	33
CJD6	200	150	100	30 (2-P)	50 (3-P)	—	—	—	—	—	—

## Instantaneous Adjustment Trip Range

Breaker Ampere Rating	Nominal Instantaneous Values							
	Low	2	3	4	5	6	7	High
200-300	1250	1430	1610	1790	1960	2140	2320	2500
350-400	2000	2290	2570	2860	3140	3430	3710	4000

① Type JXD6 circuit breakers are UL Listed for reverse feed applications.

② When wired as shown on page 49, this circuit breaker is UL listed and rated for use on 500V DC ungrounded UPS systems only.

③ See Note: A, page 108.

④ HHJD6 type circuit breakers meet the UL criteria for "current limiting" at 240 and 480V AC.

Note: JD frame qualified to UL489 supplement B "NAVAL." See page 111 for additional information.

## Ordering Information

### Complete Breaker Unassembled with Lugs

Prices of JD6, HJD6, and HHJD6 breakers include frame, trip and both line and load lugs (TA2J6500). When ordered by these catalog numbers, the customer will receive the frame, trip, and lugs separately packaged. For applications requiring different lugs, order individual items as needed.

### Complete Breaker Assembled without Lugs

Prices of JXD6, HJXD6, HHJXD6, and CJD6 include frame with non-interchangeable trip unit installed only. Order required lugs separately. For line and load lugs (TA2J6500) installed, add suffix "L" to catalog number (add 2 times list price of lugs for each pole).

### 100% Rated

Types JXD2, JXD6 and HJXD6 breakers are available with 100% ratings. To order add suffix "H" to catalog number, and 10% to list price. 100% rated JD breakers require the use of 90°C Cu cable and lugs TC1J6600 or TC2J6500.

50°C Applications see page 111.

400Hz Applications see page 111.

## Lugs For 75°C Wire<sup>③</sup>

Catalog Number	Cables per Lug	Wire Range	List Price Each \$
TA2J6500	1, 2	#3/0-500 kcmil Cu #4/0-500 kcmil Al 250-500 kcmil Al	24.50
TA1L6750	1	500-750 kcmil Al	60.00
TC1J6600	1	500-600 kcmil Cu	61.00
TC2J6500	1, 2	#3/0-600 kcmil Cu #3/0-500 kcmil Cu	60.00
<b>Compression Lug</b>			
CCL600	1	#1/0-500 kcmil Cu/Al	118.00

Modifications page 111  
Enclosures pages 34-46  
Accessories pages 108-126

Built to order. Allow 2 weeks for production.

## Reference Guide

### Thermal-Magnetic Trip Breakers

Page			General Purpose Breakers											
			JXD2-A	JD6-A, JXD6-A	HJD6-A, HJXD6-A	HHJD6-A, HHJXD6-A	CJD6	LD6, LXD6	HLD6, HLXD6	HHL6, HHLXD6	CLD6			
Ratings	AC	Poles	2, 3	2, 3	2, 3	2, 3	2, 3	2, 3	2, 3	2, 3	2, 3	2, 3		
		Amperes, Continuous	200-400	200-400	200-400	200-400	200-400	450-600	250-600	250-600	450-600			
		Volts 50/60HZ	2-Pole	240	600	600	600	600	600	600	600	600		
			3-Pole	240	600	600	600	600	600	600	600	600		
		Interrupt Rating Symmetrical RMS Amperes	UL	240V	65,000	65,000	100,000	200,000	200,000	65,000	100,000	200,000	200,000	
				480V	—	35,000	65,000	100,000	150,000	35,000	65,000	100,000	150,000	
				600V	—	25,000	35,000	50,000	100,000	25,000	35,000	50,000	100,000	
			IEC 947-2 50/60HZ	220/240V	lcu	—	65,000	100,000	200,000	—	65,000	100,000	200,000	—
					lcs	—	33,000	50,000	100,000	—	33,000	50,000	100,000	—
				380/415V	lcu	—	40,000	65,000	100,000	—	40,000	65,000	100,000	—
	500V	lcs	—	20,000	33,000	50,000	—	20,000	33,000	50,000	—			
		lcs	—	30,000	42,000	65,000	—	30,000	42,000	65,000	—			
	DC	2-Pole 250V DC Interrupting Ratings		30,000	30,000	30,000	—	30,000	30,000	30,000	—	30,000		
		3-Pole, 500V DC Interrupting Ratings <sup>Ⓞ</sup>		—	25,000	35,000	—	50,000	25,000	35,000	—	50,000		
	Dimensions in inches	Height		11.00	11.00	11.00	11.00	17.86	11.00	11.00	11.00	17.86		
Width		2-Pole	7.50	7.50	7.50	7.50	7.50	7.50	7.50	7.50	7.50			
		3-Pole	7.50	7.50	7.50	7.50	7.50	7.50	7.50	7.50	7.50			
Depth		4.00	4.00	4.00	4.00	4.00	4.00	4.00	4.00	4.00				
Overcurrent Devices	Thermal and Adjustable Magnetic Trip		✓	✓	✓	✓	✓	✓	✓	✓	✓			
	Adjustable Magnetic Trip Only Motor Circuit Protector		—	—	—	—	✓	✓	—	—	✓			
	Molded Case Switch		✓	✓	—	—	✓	✓	—	—	✓			
Accessories & Modifications	Undervoltage Trip		✓	✓	✓	✓	✓	✓	✓	✓	✓			
	Shunt Trip		✓	✓	✓	✓	✓	✓	✓	✓	✓			
	Auxiliary Switch		✓	✓	✓	✓	✓	✓	✓	✓	✓			
	Alarm Switch		✓	✓	✓	✓	✓	✓	✓	✓	✓			
	Mechanical Interlock		✓	✓	✓	✓	✓	✓	✓	✓	✓			
	Rear Connection Studs		✓	✓	✓	✓	✓	✓	✓	✓	✓			
	Electric Motor Operator		✓	✓	✓	✓	✓	✓	✓	✓	✓			
	Plug-In Mounting Assembly		✓	✓	✓	✓	✓	✓	✓	✓	✓			
	Fungus Proofing (ref. page 106)		✓	✓	✓	✓	✓	✓	✓	✓	✓			
Individual Enclosures	Type 1 — Indoor Surface		✓	✓	✓	✓	✓	✓	✓	✓	✓			
	Type 1 — Indoor, Flush		—	—	—	—	—	✓	—	—	—			
	Type 3R — Outdoor-Rainproof		✓	✓	✓	✓	—	✓	✓	✓	—			
	Type 7 — Flammable Gas Atmosphere		✓	✓	✓	✓	—	✓	✓	✓	—			
	Type 9 — Combustion Dusttight		✓	✓	✓	✓	—	✓	✓	✓	—			
	Type 5, 12 — Lint, Fine Dust, Oils, Coolants		✓	✓	✓	✓	✓	✓	✓	✓	✓			
Type 12K — Semi-Dusttight		—	✓	✓	✓	—	✓	✓	✓	—				

For inches / millimeters conversion, see Application Data section.

Ⓞ For DC UPS application.

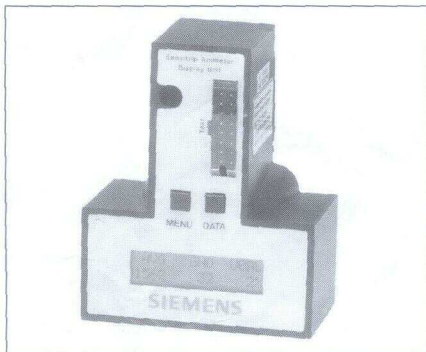
### What's New?

With this Speedfax, Siemens Energy & Automation is proud to announce several new products. These new concepts serve the OEM and power distribution markets.

#### CE Marking

A wide range of Sentron® thermal magnetic circuit breakers has been fully tested for compliance with the European community's Low Voltage Directive, and carry the CE mark, indicating their compliance with that directive. These are noted in the Speedfax with the stylized CE in watermark behind the catalog numbers. Declarations of conformity are available for these products. A point of misunderstanding lies in the area of handle operators. A handle operator alone, such as that for the Max-flex, since there is no applicable European Directive, may not carry the CE mark. The mark is affixed to the finished equipment that incorporates the handle, but not to this component device.

#### Sensitrip Ammeter Display Unit



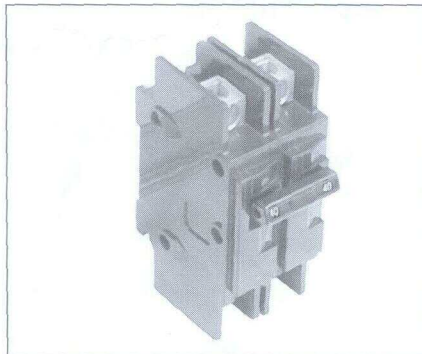
The Ammeter display for the Sensitrip® electronic trip family of breakers brings a new level of diagnostic capability even to non-interconnected breakers. Having an internal clock calendar, it can record the date and time of each trip event that occurs. Other products rely on being connected in a full network to time stamp events. This exclusive patented Siemens device provides current metering and breaker-trip diagnostic information without expensive networks.

#### PLC Level Auxiliary Switches

A new family of gold flashed auxiliary switches for the FD through ND breakers allows sensing at very low voltage and currents for interface directly to programmable logic controllers and other electronic devices. Standard contacts, built to switch 120 Volts and higher currents can be unreliable when the

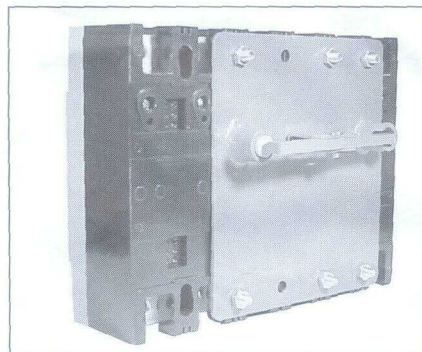
sensing current is in the milliamp range, and the sensing voltage is 12 Volts or lower. These very reliable low level switches overcome that limitation. Standard switch contacts should, of course, continue to be used in standard current and voltage applications

#### DIN Rail mounted 120/240 V Breaker



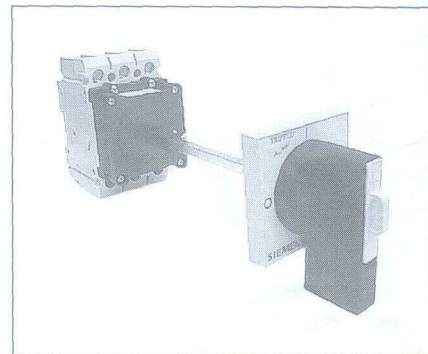
The Siemens BQ breakers are now available in 1- and 2-pole construction, from 15 to 60 Amps in lug in – lug out DIN rail mounted configuration. These breakers, rated 120/240 Volts, are ideal for applications in control panels and HVAC, and with their available finger safe terminal shields can qualify as service disconnects.

#### QJ Walking Beam Interlock



Answering the growing need for 120/240 and 240 Volt standby power systems, Siemens introduces the walking beam interlock for the QJ family of 240 Volt circuit breakers. Useful in the cell tower and other commercial applications, the QJ walking beam allows interlocking two 2 pole breakers mounted using only 4 pole widths, or two 3 pole breakers using 6 pole widths. Please consult the factory for availability.

#### Rotary Handle Operators for CQD

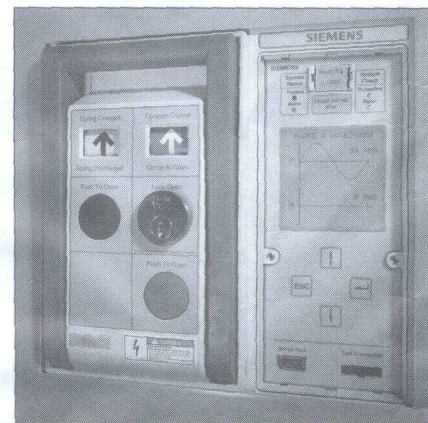


Both fixed and variable depth handle operators are available for the CQD breaker. These make the CQD a particularly attractive product for use in control panels and similar configurations

#### Potter & Brumfield Discontinued

With SE&A's divestiture of Siemens Electromechanical Components, we have ceased offering the Potter & Brumfield line of supplementary Protectors.

#### Enhanced SB ICCB



There have been several functional enhancements to the SB Systems Breaker since the last issue of the Speedfax. These include:

- Improved reliability, including regular monthly breaker endurance testing to 8,000 operations, a new Electronic Motor Operator tested to 12,000 operations, and improved secondary disconnects
- Extended 2 Year Standard Warranty