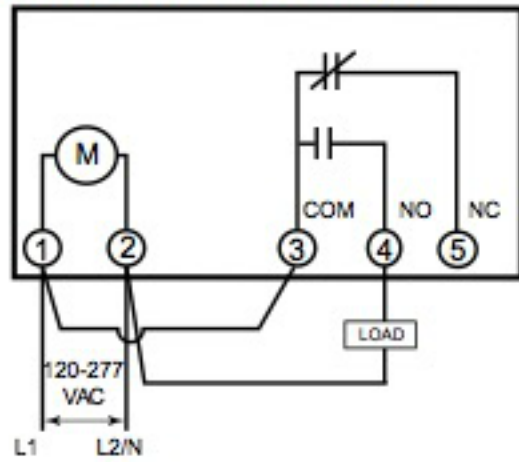




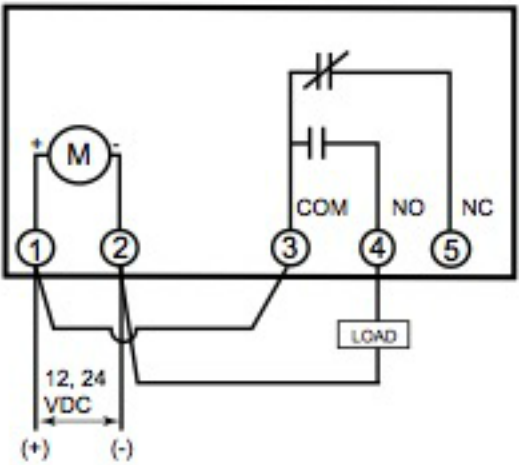
FM1D14

Wiring Diagrams

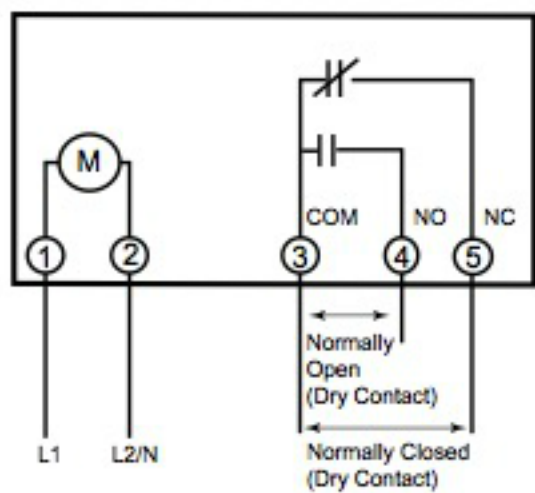
Typical Wiring
(24-277 VAC Application)



Typical Wiring
(12/24 VDC Application)

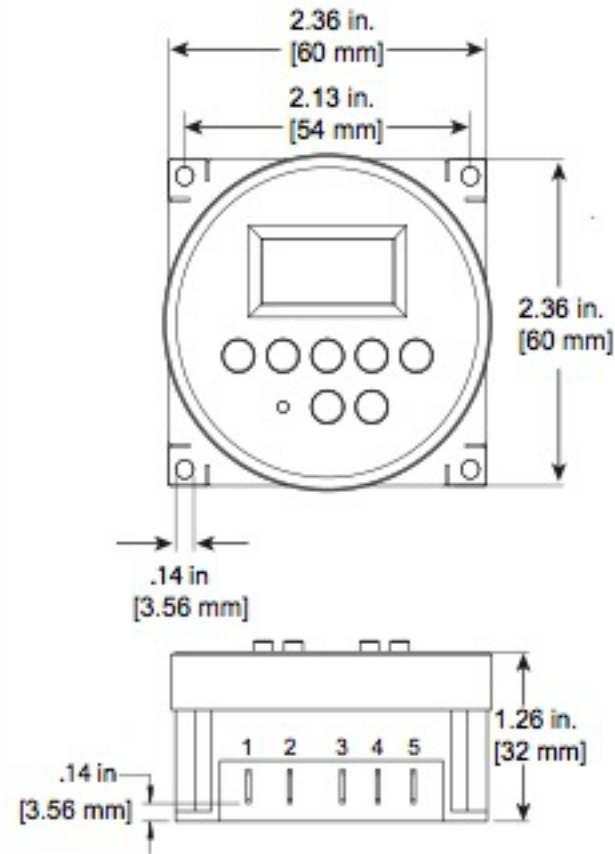


NO & NC Switching Configuration

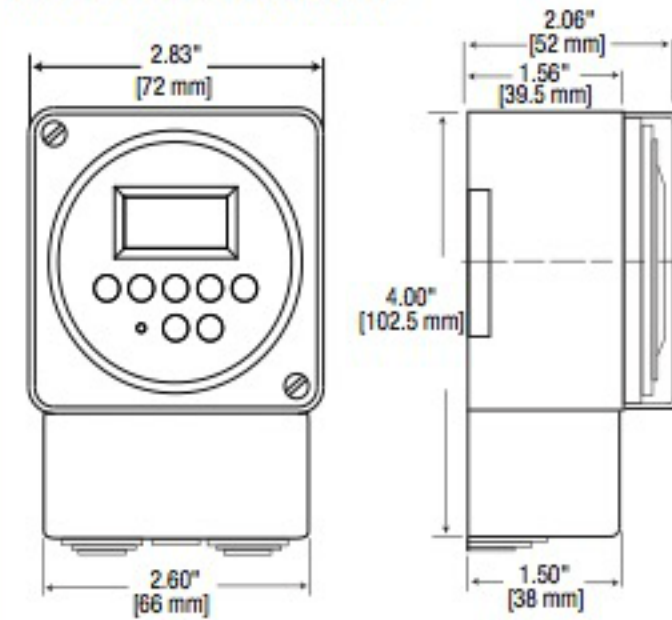


Dimensions

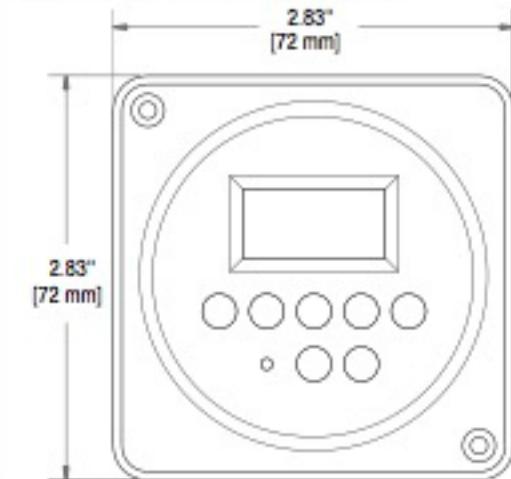
FM1D14 Panel Mount



FM1D14A Surface/DIN Rail
with Clear Dust Cover



FM1D14E Flush Mount
with Clear Dust Cover



FM1D14 Series

15 A, 1-Circuit Timer Modules

The FM1D14 Series is a great value electronic time-based control solution for ventilating, heating, cooling, lighting or other electrical loads in commercial and industrial applications. These one channel time switches are programmable for 24-hour or 7-day schedules. The FM1D14 series is intended for either panel, surface, flush or DIN rail mounting. Flush and surface/DIN rail (A & E models) are completely enclosed in a plastic housing and include a terminal cover, dust cover and subbase for installation and hard wiring.

Applications

The FM1D14 Series Electronic Time Control is a light duty commercial time switch ideal for 12 VDC, 24 VAC/VDC or 120-277 VAC single-phase applications such as:

- Generator exercising
- Scheduling occupied/unoccupied ventilation system operation
- Parts washer • Commercial refrigeration
- Pumps/motors/fans control • HVAC control circuits
- Photovoltaic control • Landscape lighting • Security gates

Features

- 24-Hour or 7-day applications
- 14 Setpoint programs
- Easy to program
- Manual override with status indication
- Self-recharging battery with backup protection up to 2500-hours
- LCD display
- 5 Preset adjustable block programs
- A & E models come with clear dust cover

Model #	Mounting	Input Voltage	Programs
FM1D14-12U	Panel	12 VDC, 50/60 Hz	14
FM1D14-24U		24 VAC/VDC, 50/60 Hz	14
FM1D14-AV-U		120-277 VAC, 50/60 Hz	14
FM1D14A-12	Surface/ DIN Rail	12 VDC, 50/60Hz	14
FM1D14A-24		24 VAC/VDC, 50/60Hz	14
FM1D14A-AV		120-277 VAC, 50/60Hz	14
FM1D14E-12	Flush	12 VDC, 50/60Hz	14
FM1D14E-24		24 VAC/VDC, 50/60Hz	14
FM1D14E-AV		120-277 VAC, 50/60Hz	14

Accessories

Surface/DIN Rail Mount Kit	FM-SU
Flush Mount Kit	FM-FU
Clear Dust Cover for Panel Mount Timers	DC-FME

SPECIFIERS GUIDE

Furnish and install a Grässlin FM1D14____24-Hour/7-Day Electronic Time Switch. This 1-circuit control shall have 24-Hour/7-Day programming, 7 ON and 7 OFF setpoint programs, and five preset block programs to allow a selection of any combination of days for different weekday schedules. The LCD shall display time of day in AM/PM format. A Daylight Saving Time Adjustment button shall also be provided. The time switch will be programmable to-the-minute and also offer a manual override for temporary ON/OFF to the next scheduled event. The LCD shall provide load status indication. The SPDT relay output will be rated for 15 A General Use @ 277 VAC. For carry-over, the timer module shall have a self-recharging battery with 2500 hour reserve carry-over. The time switch shall be_____(Panel) (Surface/DIN Rail), or (Flush) Mountable.



Ratings	
Supply Voltage	12 VDC, 24 VAC/VDC, 120-277 VAC, 50/60 Hz
Power Consumption	1.4 W
Switch Type	SPDT
Contact Ratings (NO)	
General Purpose	15 A, 277 VAC
Tungsten	1000 W, 120 VAC
Ballast	8 A, 277 VAC
Pilot Duty	B300
Electronic Ballast	4.9 A, 120 VAC
Motor	10 FLA, 60 LRA @ 250 VAC; ½ HP @ 120 VAC; 1 HP @ 250 VAC
Contact Ratings (NC)	
General Purpose	15 A, 277 VAC
Resistive	12 A, 24 VDC
Ballast	8 A, 120 VAC
Motor	10 FLA, 60 LRA @ 250 VAC; ½ HP @ 120/240 VAC
Operating Temperature	-40° F to 131° F (-40° C to 55° C) Limited display function at -13° F
Cut-out Dimensions (Flush Mount) H x W	2 5/8" x 2 5/8" (66 mm x 66 mm)
Wiring Terminals	
FMD14, FMD14E	¼" quick connect terminals
FMD14A	Screw terminals for #24 to #10 AWG Wire
Shipping Weight	FM1D14 .23 lbs ; FM1D14A .53 lbs ; FM1D14E .26 lbs
Warranty	1-year limited