

INNER PANELS

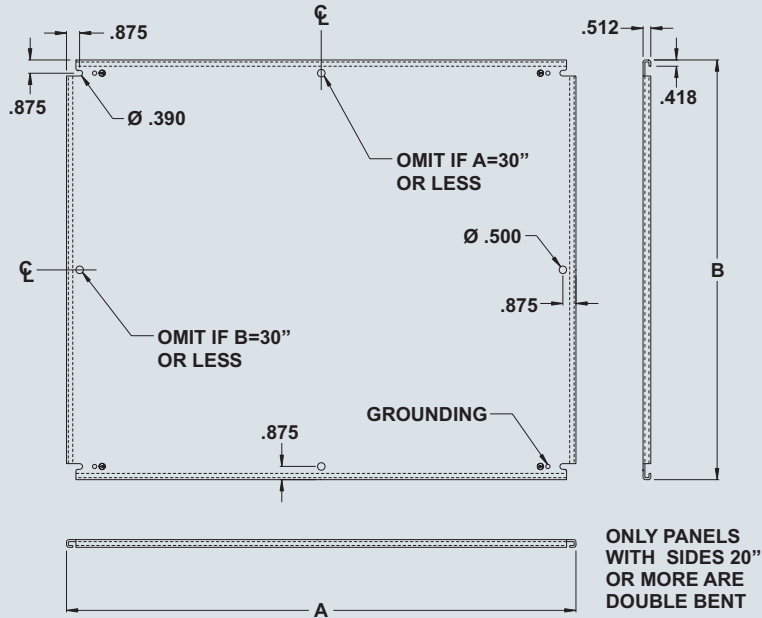
'ES' Inner panels - Series 881 SP

The Series 881 SP replacement inner panels were designed to fit our ES and ESDD (see below for details) lines of enclosures.

These lines come complete with an inner panel, therefore an 881 SP is only ordered when a replacement or spare panel is

required. The 881 SP are made of white powder coated 12 GA steel. Perforated panels are also available.

CATALOG NUMBER	DIMENSIONS		SHIP WGHT LBS.
	A	B	
881 SP1212	10	10	5
881 SP1612	14	10	6
881 SP1616	14	14	8
881 SP2012	18	10	7
881 SP2016	18	14	10
881 SP2020	18	18	12
881 SP2412	22	10	9
881 SP2416	22	14	12
881 SP2420	22	18	15
881 SP2424	22	22	18
881 SP3012	28	10	11
881 SP3016	28	14	15
881 SP3020	28	18	18
881 SP3024	28	22	22
881 SP3030	28	28	28
881 SP3624	34	22	26
881 SP3630	34	28	33
881 SP3636	34	34	40
881 SP4224	40	22	31
881 SP4230	40	28	38
881 SP4236	40	34	46
881 SP4242	40	40	54
881 SP4824	46	22	35
881 SP4830	46	28	44
881 SP4836	46	34	53
881 SP4842	46	40	61
881 SP4848	46	46	70
881 SP6024	58	22	44
881 SP6030	58	28	55
881 SP6036	58	34	66
881 SP6042	58	40	77
881 SP7230	70	28	66
881 SP7236	70	34	79



Custom sizes and colors are also available. Brushed stainless steel, painted stainless steel, galvanized and aluminum inner panels are also available upon request. Contact Eurobex for details.

For perforated panels, add suffix 'P' to the catalog number (ie. 881 SP4230P). See page 354 for perforation pattern.

The 881 SP inner panels are to be used with these enclosure lines, amongst others :



5412 ES



5412 ESW



5412 ESM



5300 ES



5412 ESS



5100 ESDD



5500 ESDD



5500 ESSDD



5412 ESDD



5412 ESSDD

Data subject to change without notice.