

Commercial Specification Grade Straight Blade Power Devices

3-Pole, 4-Wire Grounding
NEMA 14-50, 15-30, 15-50
50A 125/250V
30A 250/3Ø
50A 250/3Ø



G-28 Straight Blade Receptacles

Power Devices

FEATURES

- Heavy gauge galvanized steel mounting strap for corrosion resistance.
- Receptacles for use with copper or aluminum wire.
- Surface receptacles have patented lay-in terminals and accept up to #4 wire.
- Universal plugs include blades for 30A or 50A configurations.
- Surface receptacles 0.75" (19.05mm) and 1" (25.4mm) concentric knockouts and adjustable cord clamp allow for wiring from bottom or back.
- Flush receptacles fit one or two gang enclosures.
- High strength glass reinforced nylon body resists breakage in high abuse areas for Catalog No. 5754N, 8430N and 8450N.

NEMA 14-50 Rating 50A 125/250V

Receptacles

Description	Color	Catalog No.
Surface	Black	1212
On 4.6875" (119.06mm) Steel Cover	Black	1168
Flush	Black	5754N
Flush	Black	1258
Panel Mount	Black	58

Plug

Description	Cord Diameter	Color	Catalog No.
Angle Universal - PVC	1.125" (28.575mm)	Black	S21

NEMA 15-30 Rating 30A 250V 3Ø

Receptacle

Description	Color	Catalog No.
Flush	Black	8430N

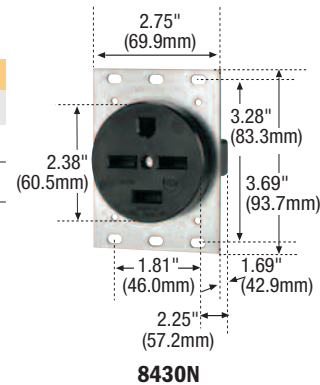
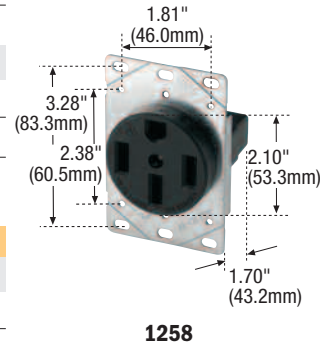
NEMA 15-50 Rating 50A 250V 3Ø

Receptacles

Description	Color	Catalog No.
Flush	Black	8450N

Wallplate Guide for Power Devices

Power Device Catalog No.	Wallplate Catalog No.
1258	39CH, 68, 2068, 2168, 93221, 93227, 5068, PJ724, PJ703
5754N, 8430N, 8450N	69, 5169, 93223



TESTING & CODE COMPLIANCE

- UL Listed, Receptacles: file no. E15058; Plugs: UL and cUL, file no. E15012.
- CSA (file no. 6914 (6233-01)).
- Meets all CSA requirements, C22.2 no. 42.
- NOM Certified.

MATERIAL CHARACTERISTICS

Plugs: PVC. Flush Receptacles: Phenolic; Surface Receptacles: PVC. Temperature Rating: -20°C (without impact) to 75°C max. continuous. 5754N, 8430N and 8450N: -40°C (without impact) to 105°C max. continuous.

