

C01 Multi-Gang

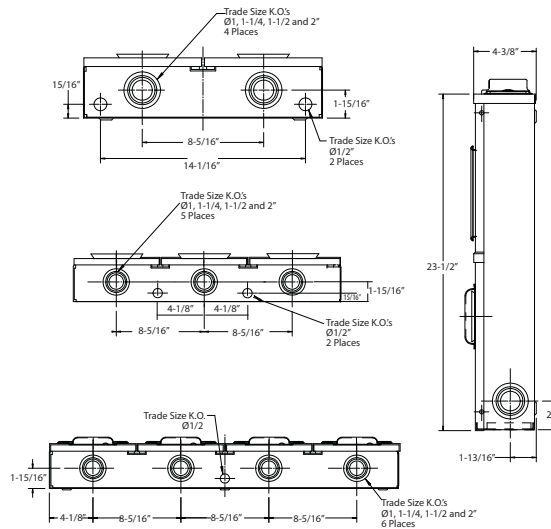


2, 3 & 4 MULTI-GANG COMBINATION METER SOCKET & BREAKER • 200 AMP. MAIN, 100 AMP. PER POSITION 120/240 VOLTS MAX



Product Specifications

- Conductor range: 6 AWG – 250 kcmil copper / aluminum
- Overhead only, tunnel type connectors only, no 1/2" studs
- Supplied with screw type ring
- Weatherproof Type 3R enclosure
- Bottom compartment has provision for 2 pole circuit breaker (max. 100 amp.) Seimens, Cutler Hammer, GE
- **Primarily used in:** Quebec only supplied with 22 kA Seimens breaker



Dimensions are in inches

Ordering Information

CATALOGUE NUMBER	DESCRIPTION	DIMENSIONS (inches)			WEIGHT EACH	
		H	W	D	lb	kg
4 JAW						
C012	2 gang with provision for 2 x 100 amp. type Q breakers	23-1/2	16-1/2	4-3/8	30	13.60
C012-100HI	2 gang with provision for 2 x 100 amp. type Q breakers c/w 22 kA Seimens breaker for Quebec	23-1/2	16-1/2	4-3/8	30	13.60
C012-SD	2 gang with provision for 2 x 100 amp. SQ D breakers	23-1/2	16-1/2	4-3/8	30	13.60
C013	3 gang with provision for 3 x 100 amp. type Q breakers	23-1/2	24-3/4	4-3/8	45	20.41
C013-100HI	3 gang with provision for 3 x 100 amp. type Q breakers c/w 22 kA Seimens breaker for Quebec	23-1/2	24-3/4	4-3/8	45	20.41
C013-100HI-U	Underground 3 gang with provision for 3 x 100 amp. type Q breakers c/w 22 kA Seimens breaker for Quebec	23-1/2	24-3/4	4-3/8	45	20.41
C013-SD	3 gang with provision for 3 x 100 amp. SQ D breakers	23-1/2	24-3/4	4-3/8	45	20.41
C014	4 gang with provision for 4 x 100 amp. type Q breakers	23-1/2	33-1/8	4-3/8	60	27.21
C014-100HI	4 gang with provision for 4 x 100 amp. type Q breakers c/w 22 kA Seimens breaker for Quebec	23-1/2	33-1/8	4-3/8	60	27.21
C014-SD	4 gang with provision for 4 x 100 amp. SQ D breakers	23-1/2	33-1/8	4-3/8	60	27.21